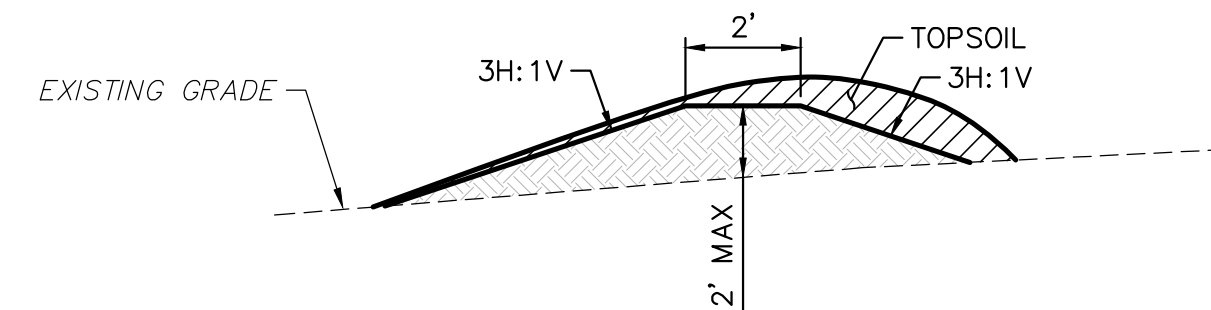


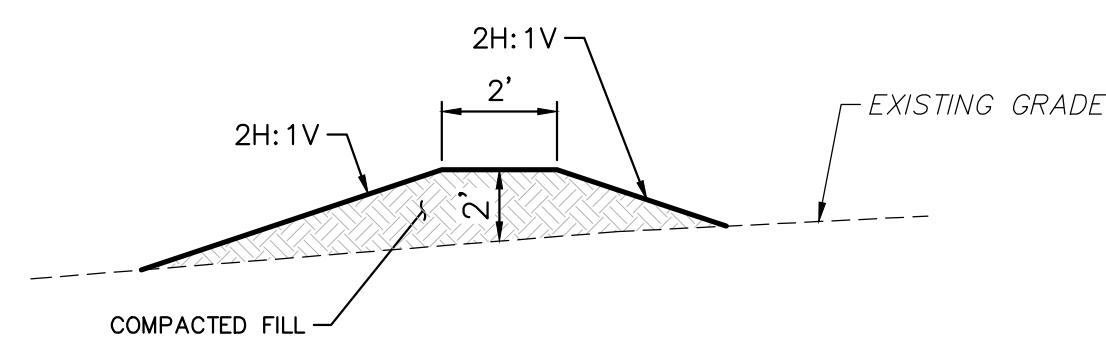
ATTACHMENT 3 – CONSTRUCTION DETAILS



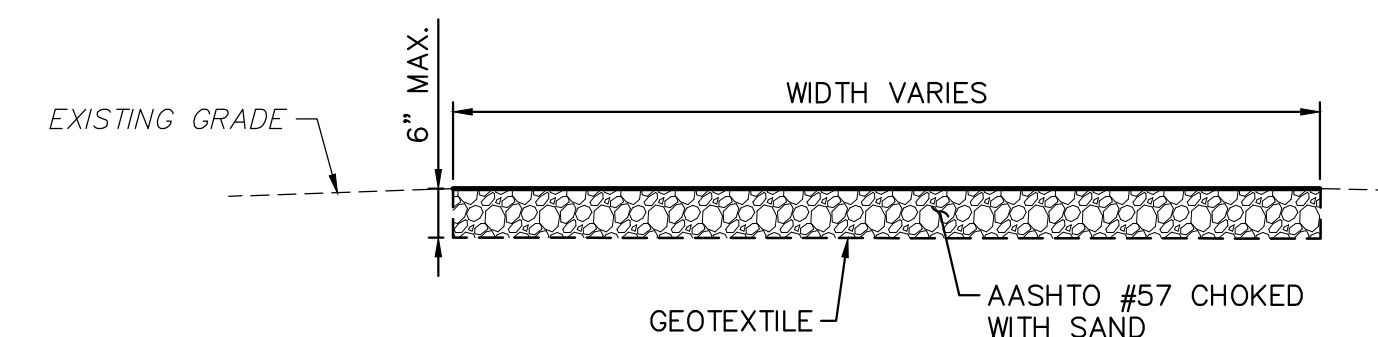
NOTES:

1. FILL WITH TOPSOIL TO ACHIEVE DESIRED SHAPE.

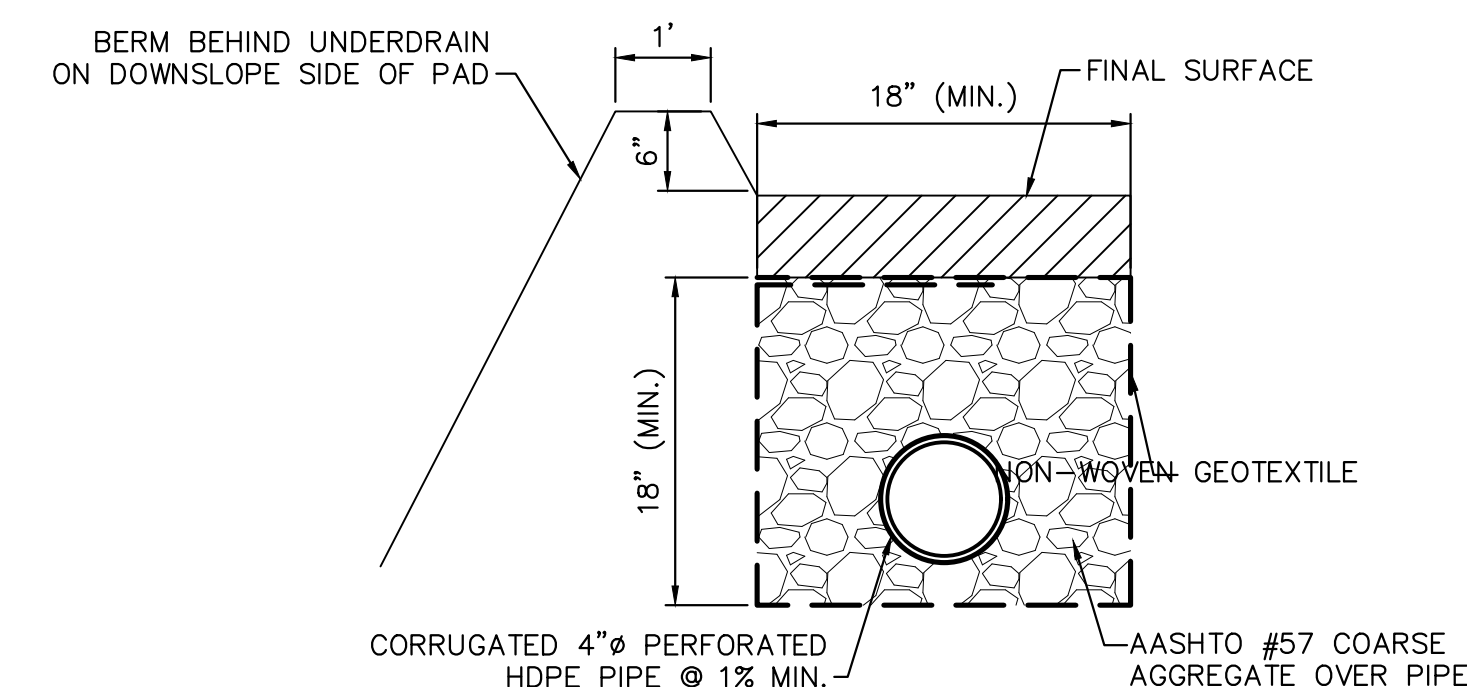
INFILTRATION BERM DETAIL
NOT TO SCALE



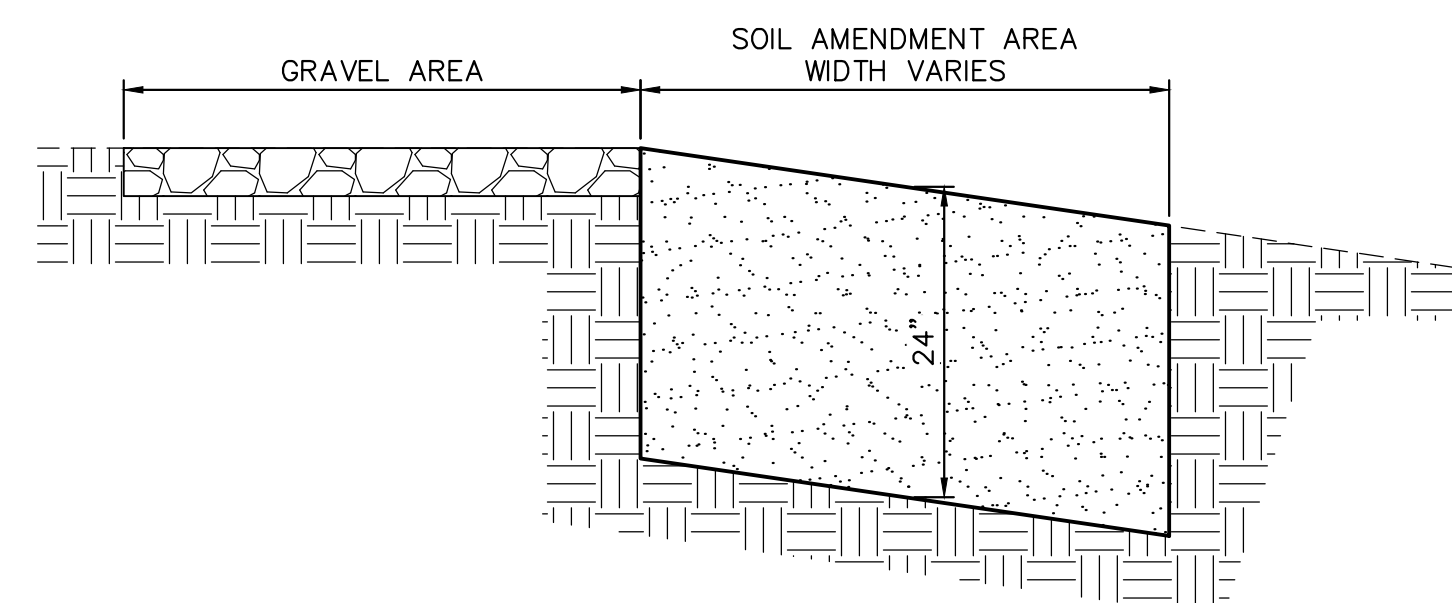
DIVERSION BERM DETAIL
NOT TO SCALE



TYPICAL AGGREGATE SURFACE DETAIL
NOT TO SCALE



UNDERDRAIN DETAIL
NOT TO SCALE



NOTES:

1. SOIL AMENDMENT MEDIAN SHOULD CONSIST OF SOIL AND COMPOST AT A RATIO OF 2:1 (SOIL:COMPOST).
2. SOIL AMENDMENT SHOULD NOT BE USED ON SLOPES GREATER THAN 30%.
3. COMPOST CAN BE SUBSTITUTED WITH MULCH, MANURE, SAND.
4. NO VEHICULAR TRAFFIC WILL BE PERMITTED TO DRIVE IN THE SOIL AMENDMENT AREA TO MINIMIZE THE POSSIBILITY OF COMPACTION.
5. ALL CONSTRUCTION SHOULD BE COMPLETED AND STABILIZED BEFORE BEGINNING SOIL RESTORATION.
6. SOIL AMENDMENT TO BE INSTALLED BY TILING.

SOIL AMENDMENT DETAIL
NOT TO SCALE



661 ANDERSEN DRIVE - FOSTER PLAZA 7
PITTSBURGH, PA 15220
T: (412) 921-7090 | F: (412) 921-4040

REVISIONS			
NO.	BY	DATE	REMARKS

SUNOCO PIPELINE L.P.
SINKING SPRING, PENNSYLVANIA
PENNSYLVANIA PIPELINE PROJECT
SOUTHEAST REGIONAL OFFICE

1-20" & 1-16" PROPOSED WELDED STEEL NATURAL GAS LIQUIDS PIPELINES
POST CONSTRUCTION STORMWATER MANAGEMENT PLAN
DETAILS

DATE:	11/23/16
PROJECT NO.:	112IC05958
DESIGNED BY:	JB
DRAWN BY:	BH
CHECKED BY:	RS
COPYRIGHT TETRA TECH INC.	
FIGURE 1	
SHEET 1 OF 1	