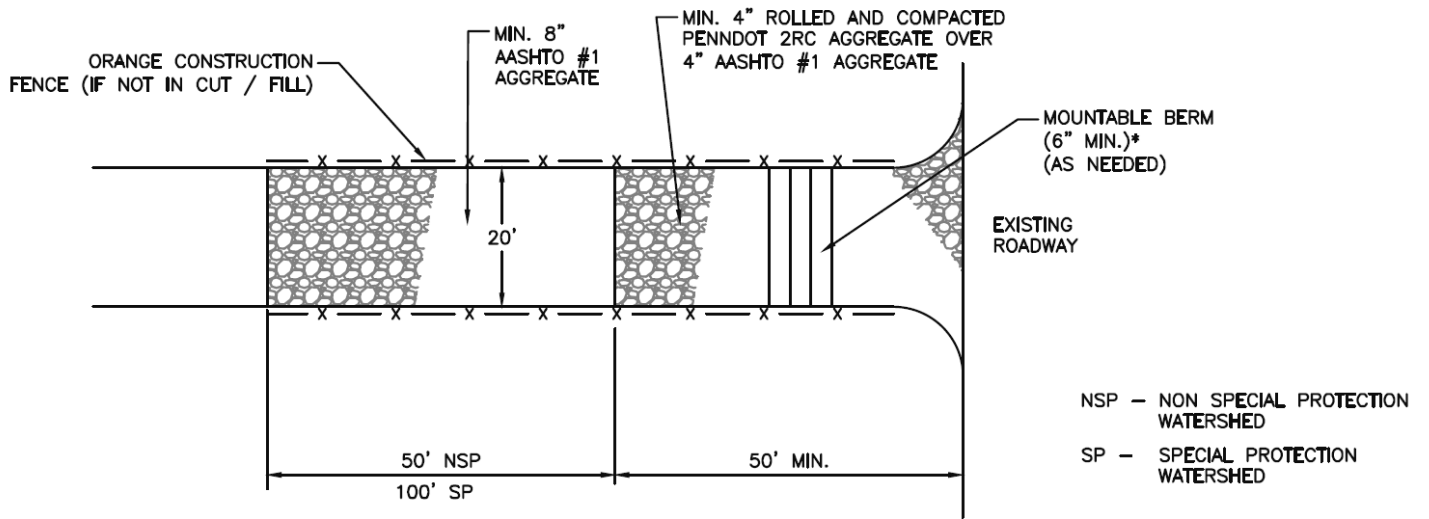
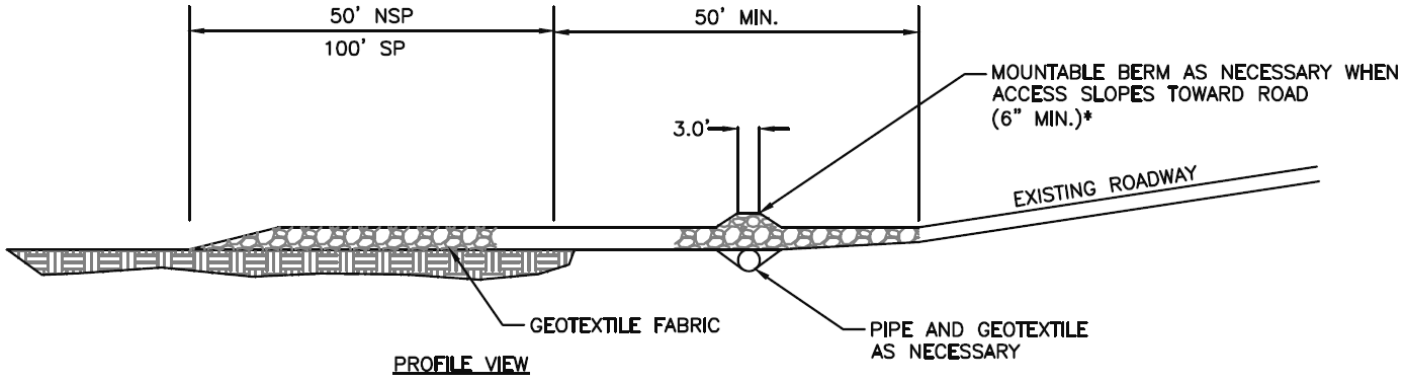


Example Alternative Rock Construction Entrance



*MOUNTABLE BERM USED TO PROVIDE PROPER COVER FOR PIPE

ROCK CONSTRUCTION ENTRANCE

NOT TO SCALE