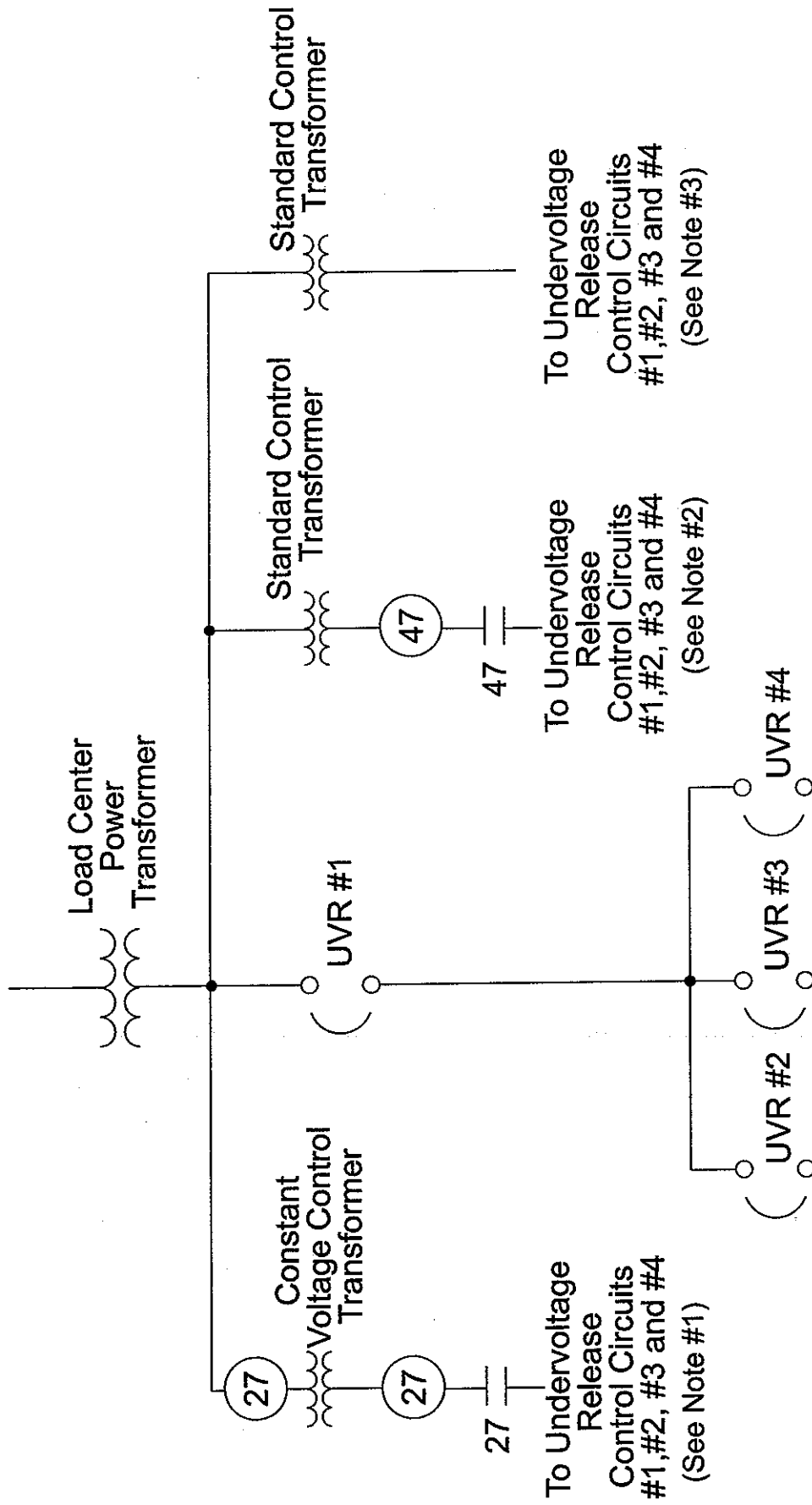


ADDENDUM SKETCH #1



Note #1: The 27 Undervoltage Relay must be set to trip the undervoltage releases when the unregulated voltage is no less than 40% of nominal.

Note #2: The 47 or other Protective Relay must be set to trip the undervoltage releases when the line voltage is no less than 40% of nominal.

Note #3: Each undervoltage release must trip when the line voltage is no less than 35% of nominal.