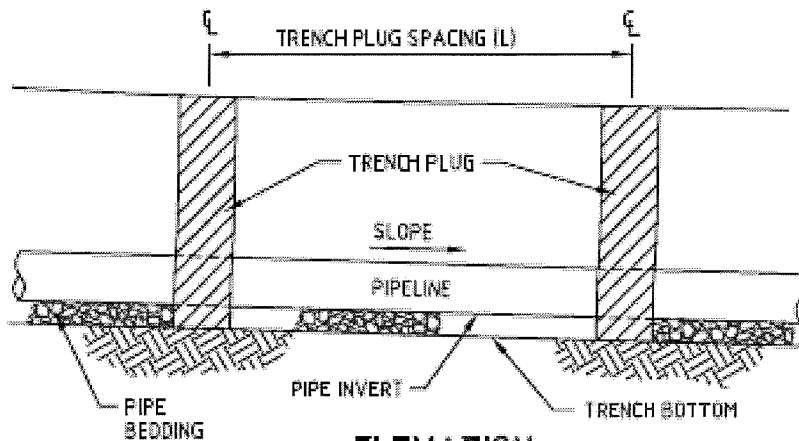
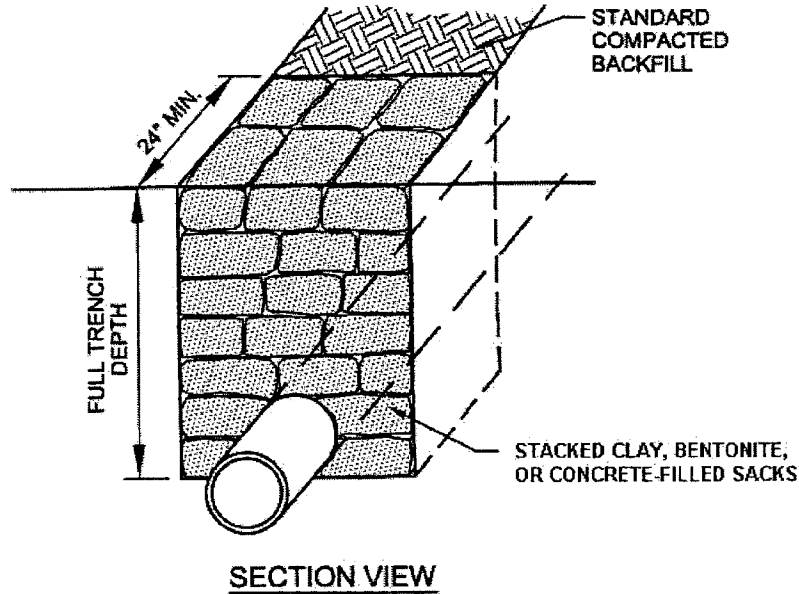


**STANDARD CONSTRUCTION DETAIL # 13-4
Typical Trench Plug Installation**



TGN 363-2134-008 March 2012

PA DEP

**TABLE 13.1
Maximum Spacing and Materials for Trench Plugs**

Trench Slope (%)	Spacing L (FT)	Plug Material
< 5	1,000	* Clay, Bentonite, or Concrete Filled Sacks
5 - 15	500	* Clay, Bentonite, or Concrete Filled Sacks
15 - 25	300	* Clay, Bentonite, or Concrete Filled Sacks
25 - 35	200	* Clay, Bentonite, or Concrete Filled Sacks
35 - 100	100	* Clay, Bentonite, or Concrete Filled Sacks
> 100	50	Cement Filled Bags (Wetted) or Mortared Stone

***TOPSOIL MAY NOT BE USED TO FILL SACKS.**

Impervious trench plugs are required for all stream, river, wetland, or other water body crossings.