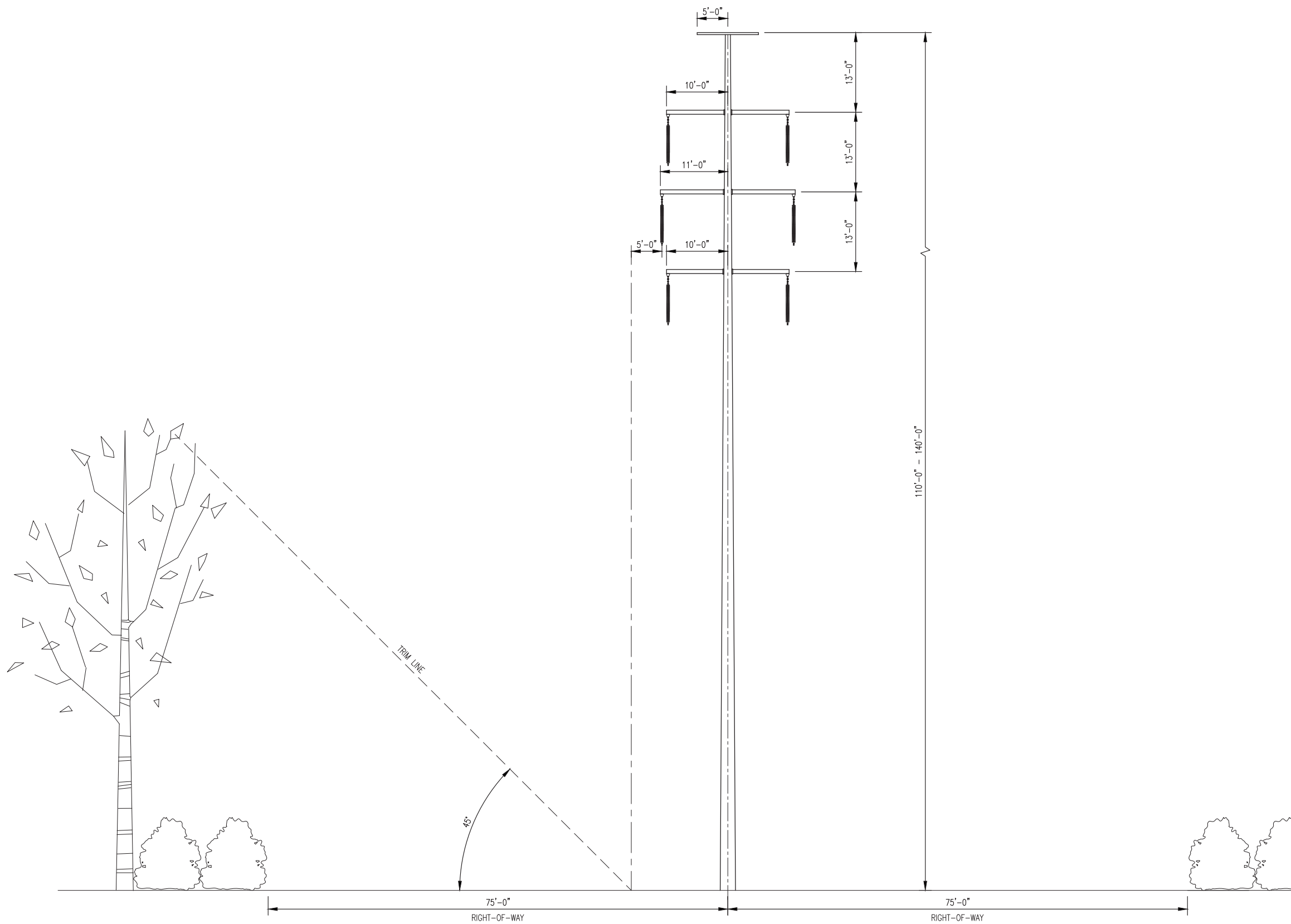


APPENDIX I

ADDITIONAL DRAWINGS

- SUBSTATION PAD, POLE AND CONDUIT DETAILS



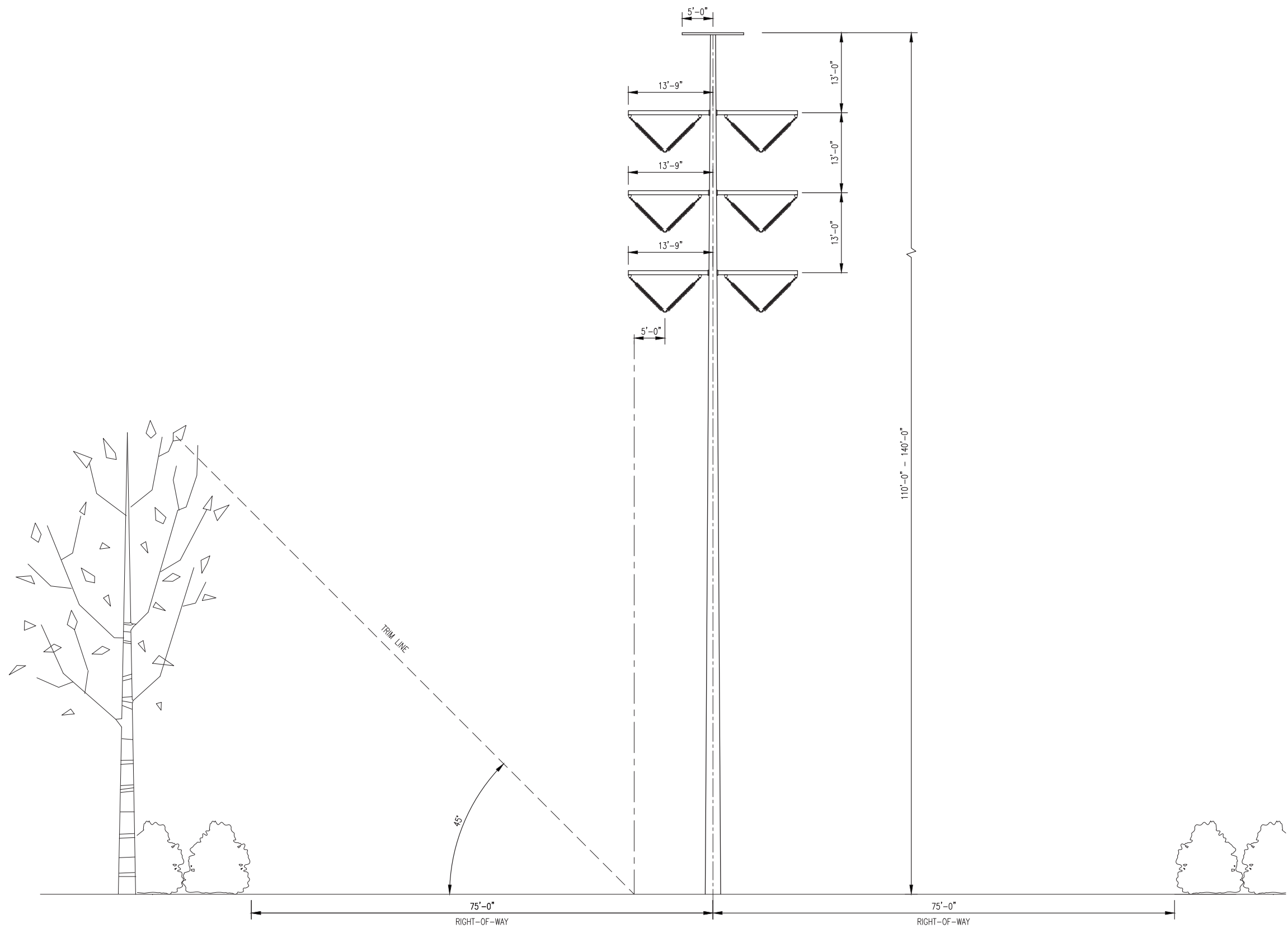
TYPICAL TANGENT
SUSPENSION
(2 CIRCUIT)

CSD ENGINEERS		PROJECT NUMBER	CSD PROJECT NO.
PROJECT TITLE EMBERCLEAR - OVERHEAD LINE ROUTING		PROJECT ENGINEER	10-5607
DRAWN BY DH		PLANT AREA	A
CHECKED BY WJR			1/1/16
CSD APVD.			
DRAWN DATE 05/31/2016		DWG. TITLE STRUCTURE PROFILE TYPICAL TANGENT SUSPENSION (2 CIRCUIT)	
CHECKER DATE 05/31/2016			
CLIENT APVD.		CLIENT APVD. DATE	
SCALE FACTOR 1/8"=1'-0"		DWG. NO. 105607-E-30	

A	ISSUED FOR APPROVAL	DH	6/3/2016	WJR
REV.	DESCRIPTION	BY	DATE	APVD.

C:\Users\thomas\Desktop\10-5607 EmberClear\105607-E-30.dwg
 PLOT DATE 6/2/2016 9:27 AM
 SAM 6/2/2016 9:27 AM
 Dennis Hines

F
E
D
C
B
A

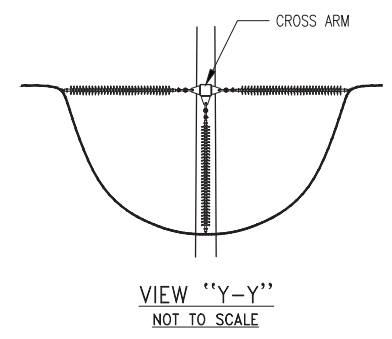
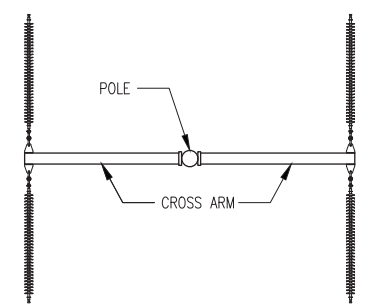
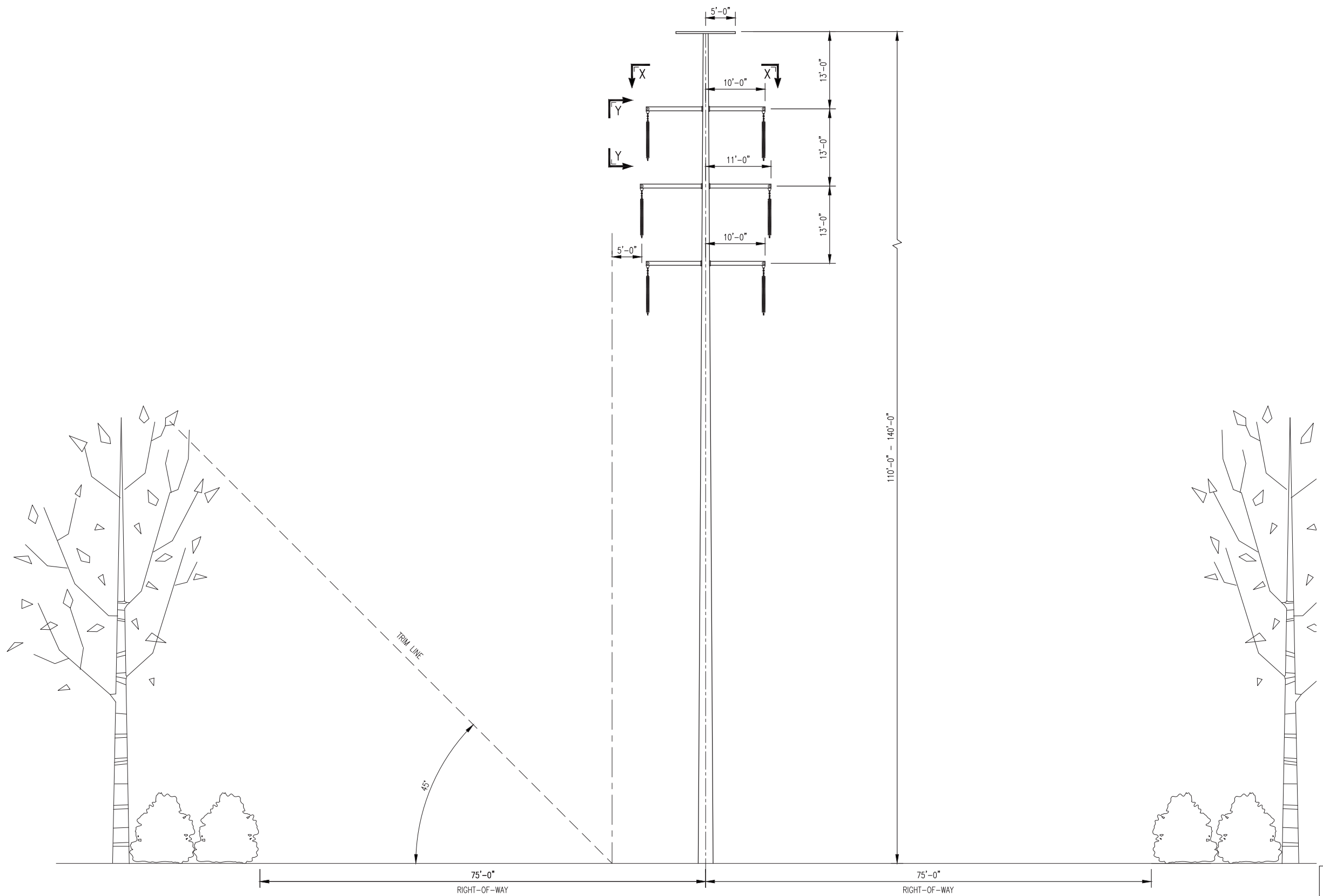


TYPICAL TANGENT
V-SUSPENSION
(2 CIRCUIT)

CSD ENGINEERS		PROJECT NUMBER	CSD PROJECT NO.
PROJECT TITLE EMBERCLEAR - OVERHEAD LINE ROUTING		PROJECT ENGINEER	10-5607
DRAWN BY DH		PLANT AREA	A
CHECKED BY WJR		1/1/16	
CSD APVD.		STRUCTURE PROFILE TYPICAL TANGENT V-SUSPENSION (2 CIRCUIT)	
DRAWN DATE 05/31/2016		DWG. NO.	
CHECKER DATE 05/31/2016		105607-E-31	
CSD APVD. DATE		REV.	
CLIENT APVD.		A	
CLIENT APVD. DATE		SCALE FACTOR	
1/8"=1'-0"			

A	ISSUED FOR APPROVAL	DH	6/3/2016	WJR
REV.	DESCRIPTION	BY	DATE	APVD.

PLOT DATE 6/7/2016 9:29 AM
 C:\Users\thomas\Desktop\10-5607 EmberClear\105607-E-31.dwg
 SAM 6/7/2016 9:29 AM
 Dennis Hines

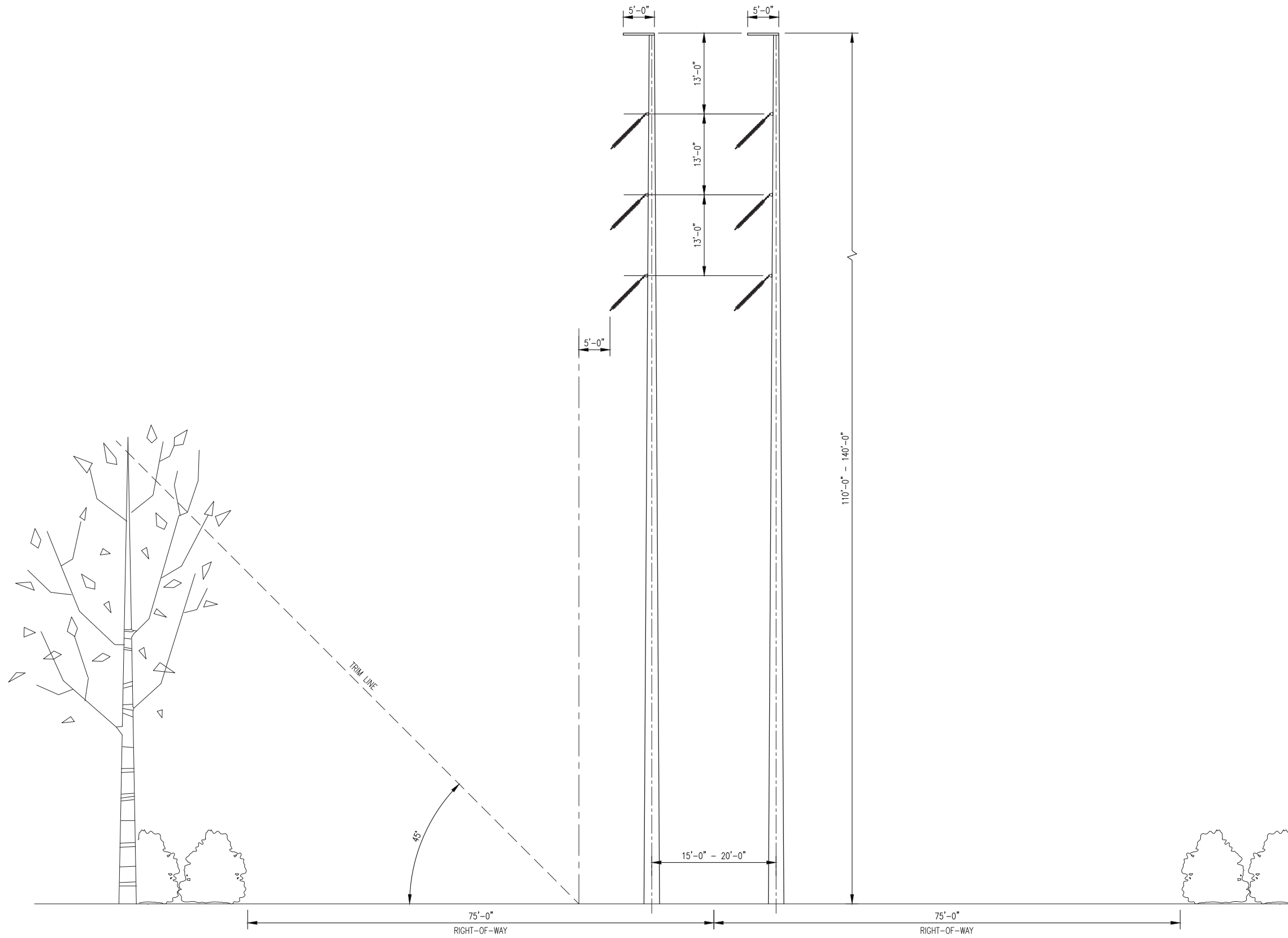


TYPICAL SINGLE POLE
DOUBLE DEAD END
(2 CIRCUIT)

CSD ENGINEERS		PROJECT NUMBER	CSD PROJECT NO.
PROJECT TITLE EMBERCLEAR - OVERHEAD LINE ROUTING		PROJECT ENGINEER	10-5607
DRAWN BY DH		PLANT AREA	A
CHECKED BY WJR		1/1/16	
SCALE FACTOR 1/8"=1'-0"		105607-E-32	
ISSUED FOR APPROVAL		A	
DESCRIPTION		A	

REV.	DESCRIPTION	BY	DATE	APVD.
A	ISSUED FOR APPROVAL	DH	6/3/2016	WJR

C:\Users\thomas\Desktop\10-5607 EmberClear\105607-E-32.dwg
 PLOT DATE: 6/7/2016 9:29 AM
 SAM 6/7/2016 9:34 AM
 Dennis Hinner



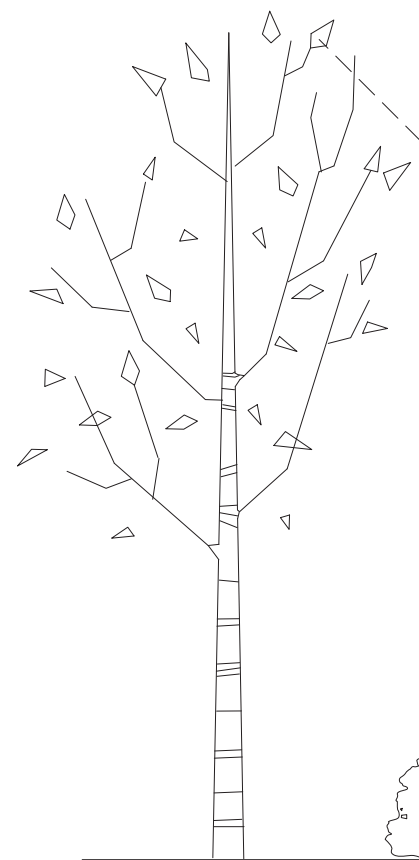
TYPICAL SMALL ANGLE STRAIN
30°-60°
(2 CIRCUIT)

CSD ENGINEERS		PROJECT NUMBER	CSD PROJECT NO.
EMBERCLEAR - OVERHEAD LINE ROUTING		PROJECT ENGINEER	10-5607
DRAWN BY: DH		PLANT AREA	A
CHECKED BY: WJR			1/1/16
CSD APVD.			
DRAWN DATE: 06/01/2016		DWG. TITLE	
CHECKER DATE: 06/01/2016		STRUCTURE PROFILE	
CSD APVD. DATE:		SMALL ANGLE STRAIN	
		(2 CIRCUIT)	

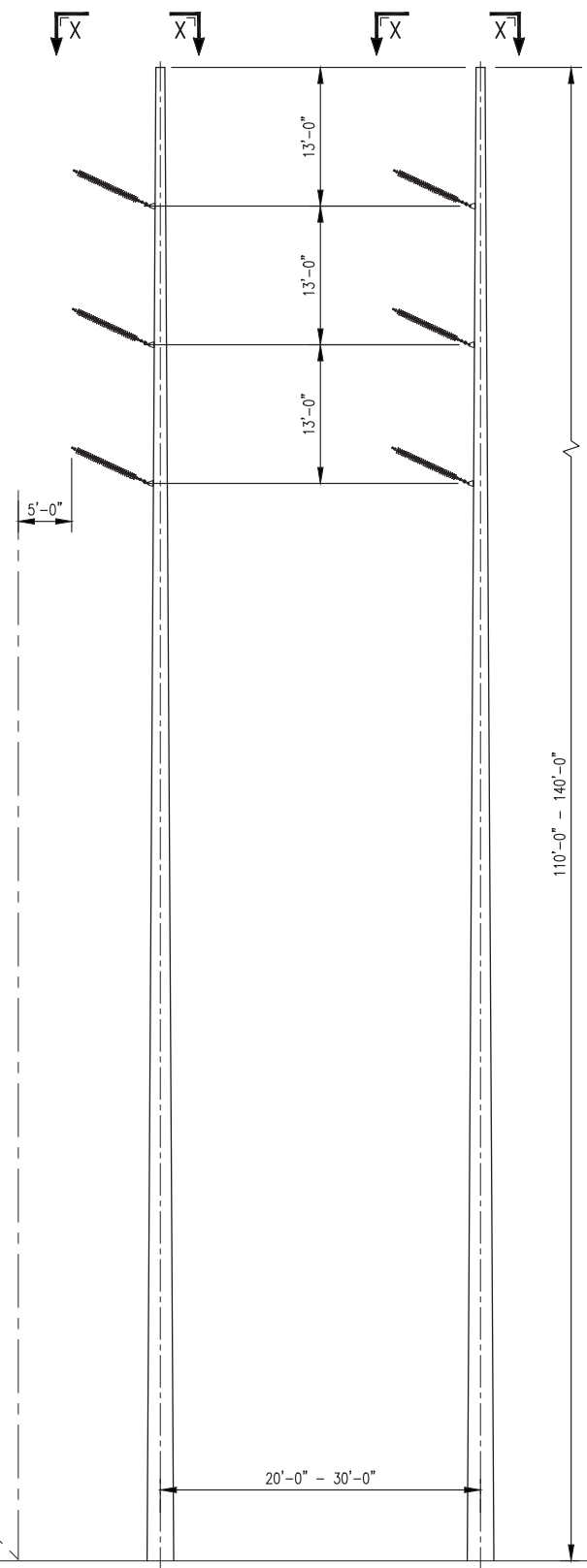
A	ISSUED FOR APPROVAL	DH	6/3/2016	WJR	CLIENT APVD.	CLIENT APVD. DATE	DWG. NO.	REV.
REV.	DESCRIPTION	BY	DATE	APVD.	SCALE FACTOR		105607-E-33	A
					1/8"=1'-0"			

C:\Users\thomas\Desktop\10-5607 EmberClear\105607-E-33.dwg
 PLOT DATE: 6/7/2016 9:59 AM
 SMP: 6/7/2016 9:59 AM
 Dennis Hines

F
E
D
C
B
A



75'-0"
RIGHT-OF-WAY

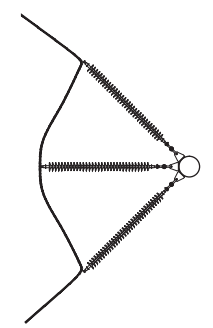


110'-0" - 140'-0"

20'-0" - 30'-0"

75'-0"
RIGHT-OF-WAY

TYPICAL 2-POLE
LARGE ANGLE DEAD END
60°-90°
(2 CIRCUIT)



VIEW "X-X"

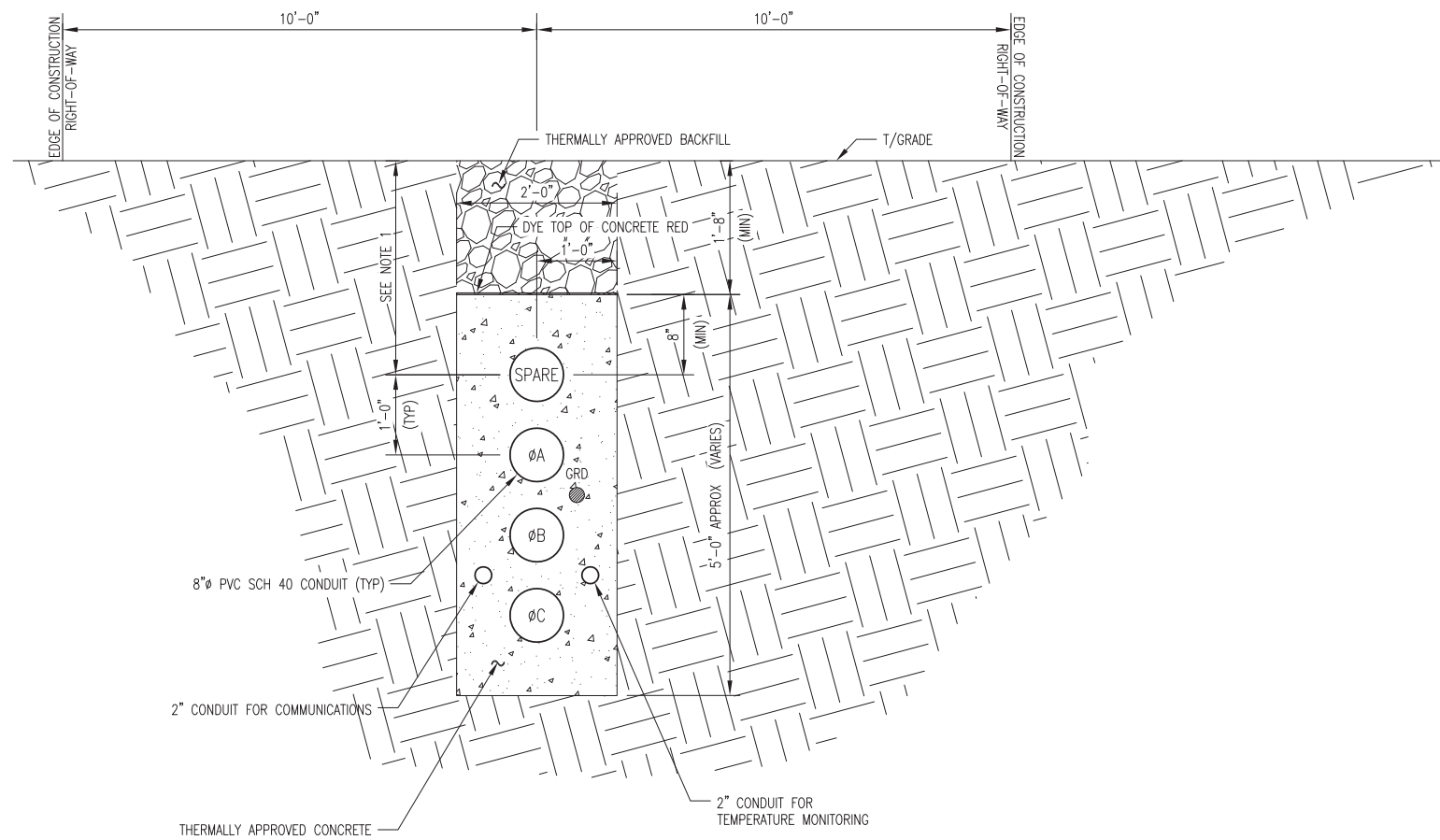
CSD ENGINEERS		PROJECT NUMBER	CSD PROJECT NO.
PROJECT TITLE EMBERCLEAR - OVERHEAD LINE ROUTING		PROJECT ENGINEER	10-5607
DRAWN BY DH		PLANT AREA	A
DRAWN DATE 06/01/2016			1/1/16

CHECKED BY WJR	CHECKER DATE 06/01/2016	DWG. TITLE STRUCTURE PROFILE LARGE ANGLE DEAD END (2 CIRCUIT)	
CSD APVD.	CSD APVD. DATE		

CLIENT APVD.	CLIENT APVD. DATE	DWG. NO.	REV.
		105607-E-34	A

A	ISSUED FOR APPROVAL	DH	6/3/2016	WJR
REV.	DESCRIPTION	BY	DATE	APVD.

SCALE FACTOR
1/8"=1'-0"



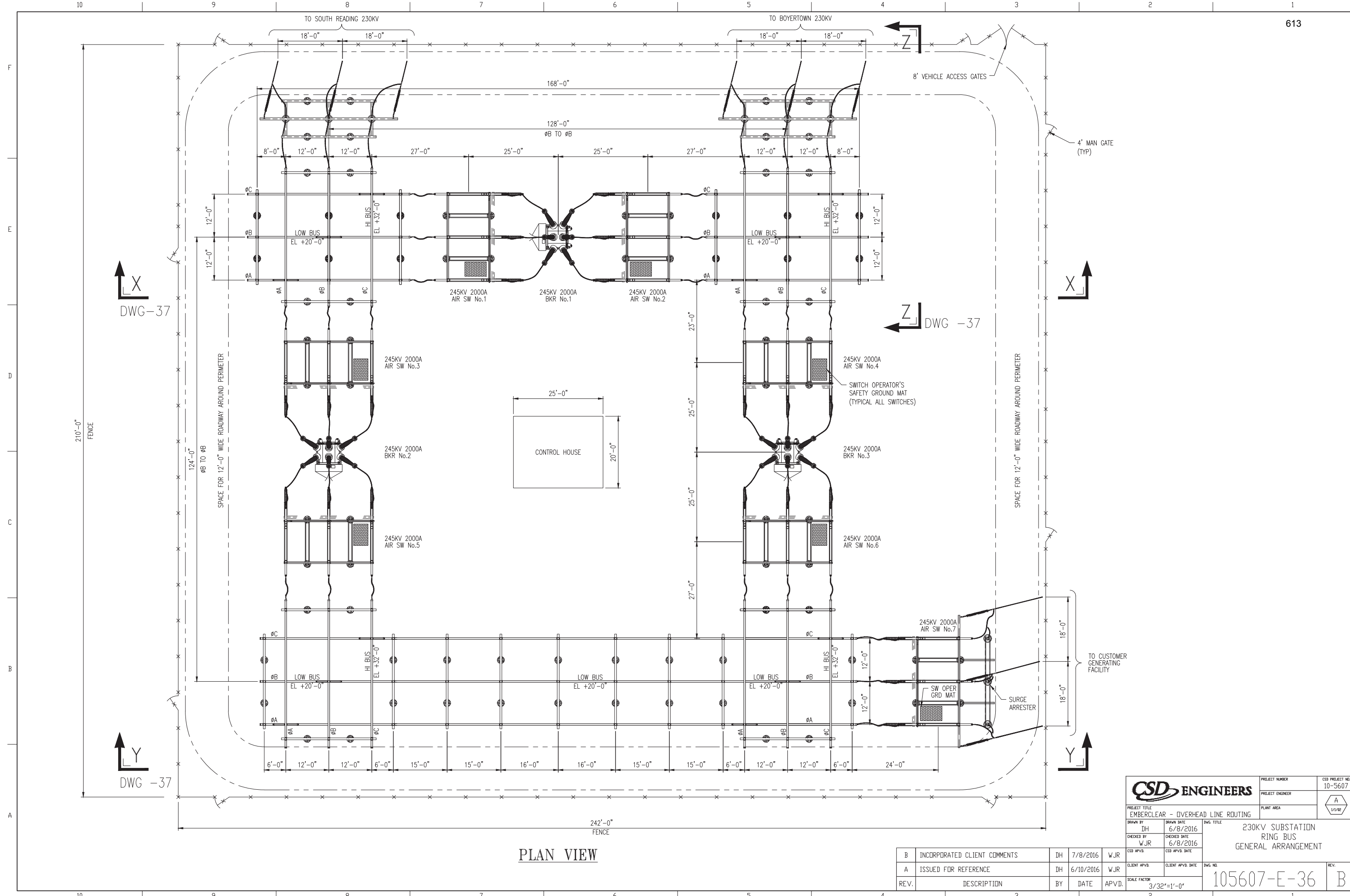
TYPICAL TRENCH CROSS SECTION
FOR 230KV XLPE CABLE
IN PVC CONDUIT

NOTES:

- IF EMBEDDED CONDUIT EXITS THE DUCT BANK VERTICALLY, THE DEPTH OF THE TOP ROW OF CONDUIT MUST ALLOW FOR THE CABLE MANUFACTURER'S RECOMMENDED CABLE BENDING RADIUS.

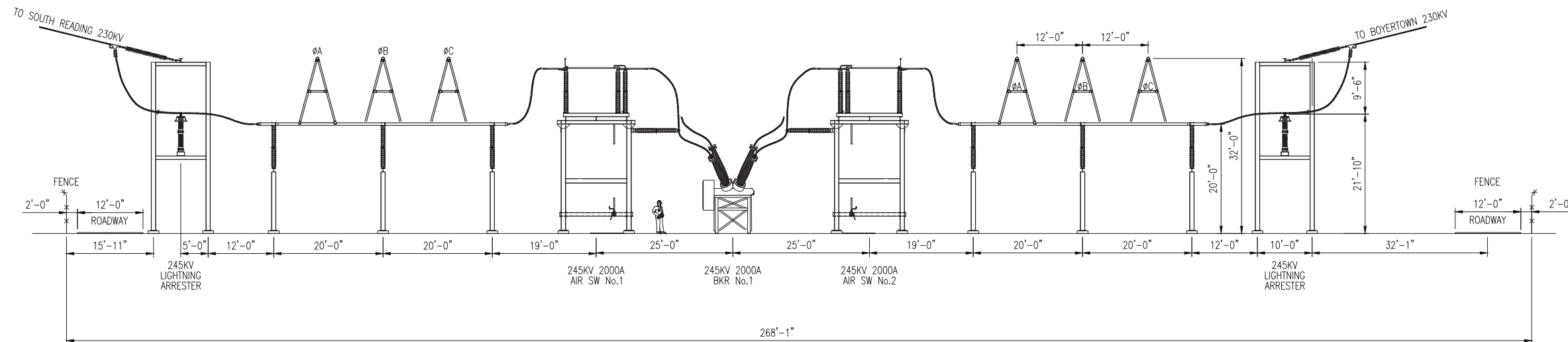
C	ISSUED FOR INFORMATION	DH	09/09/16	WJR	CLIENT APV'D.	CLIENT APV'D. DATE	ENG. NO.	REV.
REV.	DESCRIPTION	BY	DATE	APV'D.	SCALE FACTOR	1"=1'-0"	105607-E-35	C

CSD ENGINEERS		PROJECT NUMBER	CSD PROJECT NO.
PROJECT TITLE		PROJECT ENGINEER	10-5607
EMBERCLEAR - OVERHEAD LINE ROUTING		PLANT AREA	A
DRAWN BY	DRAWN DATE	ENG. TITLE	
DH	06/01/2016	STRUCTURE PROFILE	
CHECKED BY	CHECKED DATE	EMBEDDED CONDUIT DUCT BANK	
WJR	06/01/2016	CROSS SECTION	
CSD APV'D.	CSD APV'D. DATE	(2 CIRCUITS)	

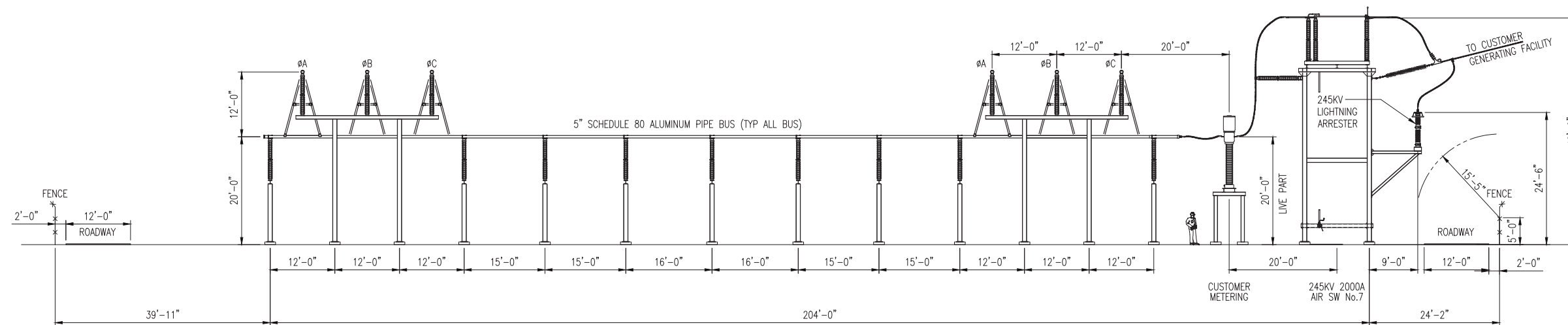


PLAN VIEW

CSD ENGINEERS		PROJECT NUMBER	CSD PROJECT NO.
PROJECT TITLE EMBERCLEAR - OVERHEAD LINE ROUTING		PROJECT ENGINEER	10-5607
DRAWN BY DH		PLANT AREA	A
CHECKED BY WJR			1/1/RE
DATE 6/8/2016		230KV SUBSTATION RING BUS GENERAL ARRANGEMENT	
SCALE FACTOR 3/32"=1'-0"		DWG. NO.	105607-E-36
REV. DESCRIPTION		BY	DATE
B	INCORPORATED CLIENT COMMENTS	DH	7/8/2016
A	ISSUED FOR REFERENCE	DH	6/10/2016
REV.	DESCRIPTION	APVD.	DATE



ELEVATION 'X-X'
DWG 105607-E-36



ELEVATION 'Y-Y'
DWG 105607-E-36

CSD ENGINEERS		PROJECT NUMBER	CSD PROJECT NO.
PROJECT TITLE EMBERCLEAR - OVERHEAD LINE ROUTING		PROJECT ENGINEER	10-5607
DRAWN BY DH		PLANT AREA	A
CHECKED BY WJR			1/1/92
CSD APVD.		230KV SUBSTATION RING BUS ELEVATIONS	
SCALE FACTOR	SECTION & ELEVATION	DWG NO.	REV.
		105607-E-37	A

A	ISSUED FOR REFERENCE	DH	6/10/2016	WJR
REV.	DESCRIPTION	BY	DATE	APVD.

PLOT DATE 6/10/2016 9:13 AM
 PLOT FILE C:\p\c\p\files\10-5607\16_elev\105607-e-37.dwg
 SAM 6/10/2016 9:12 AM
 Dennis Hester