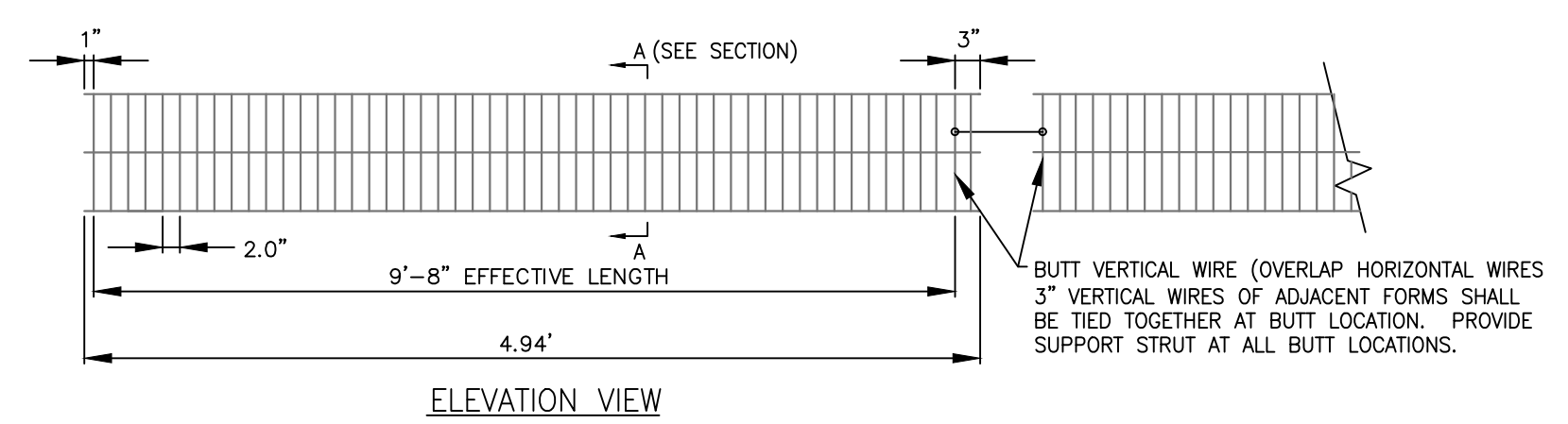
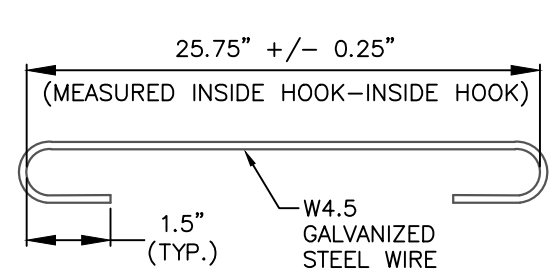


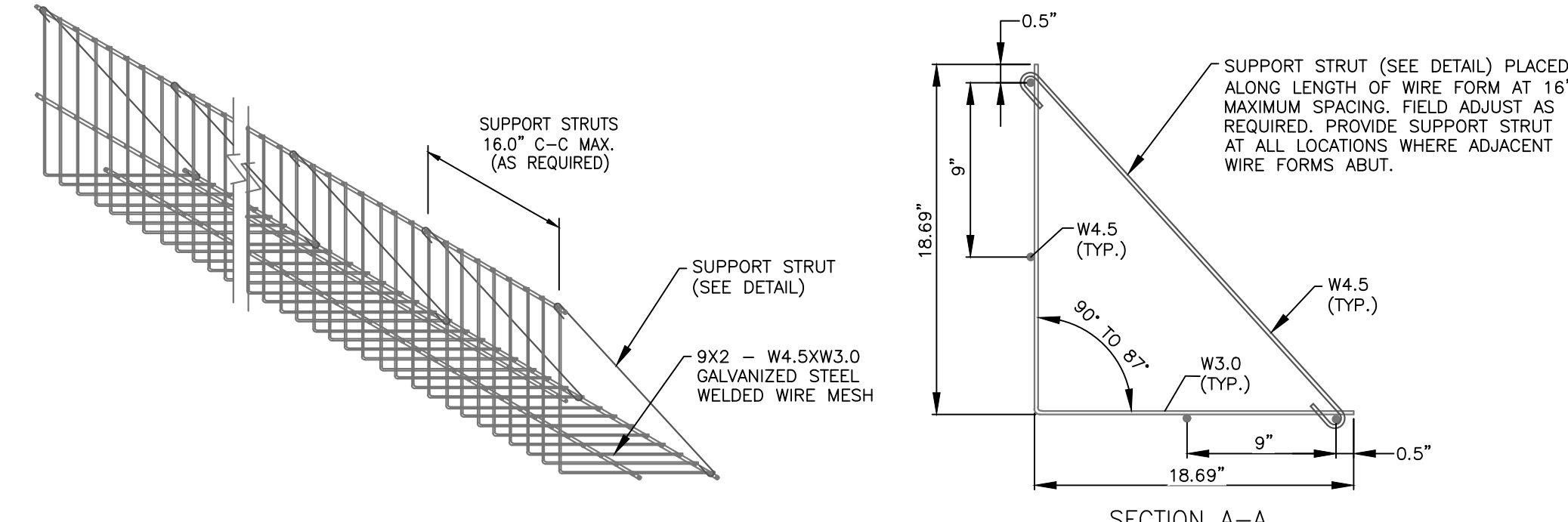
1
8G WELDED WIRE FORM FACING DETAIL
NOT TO SCALE



ELEVATION VIEW



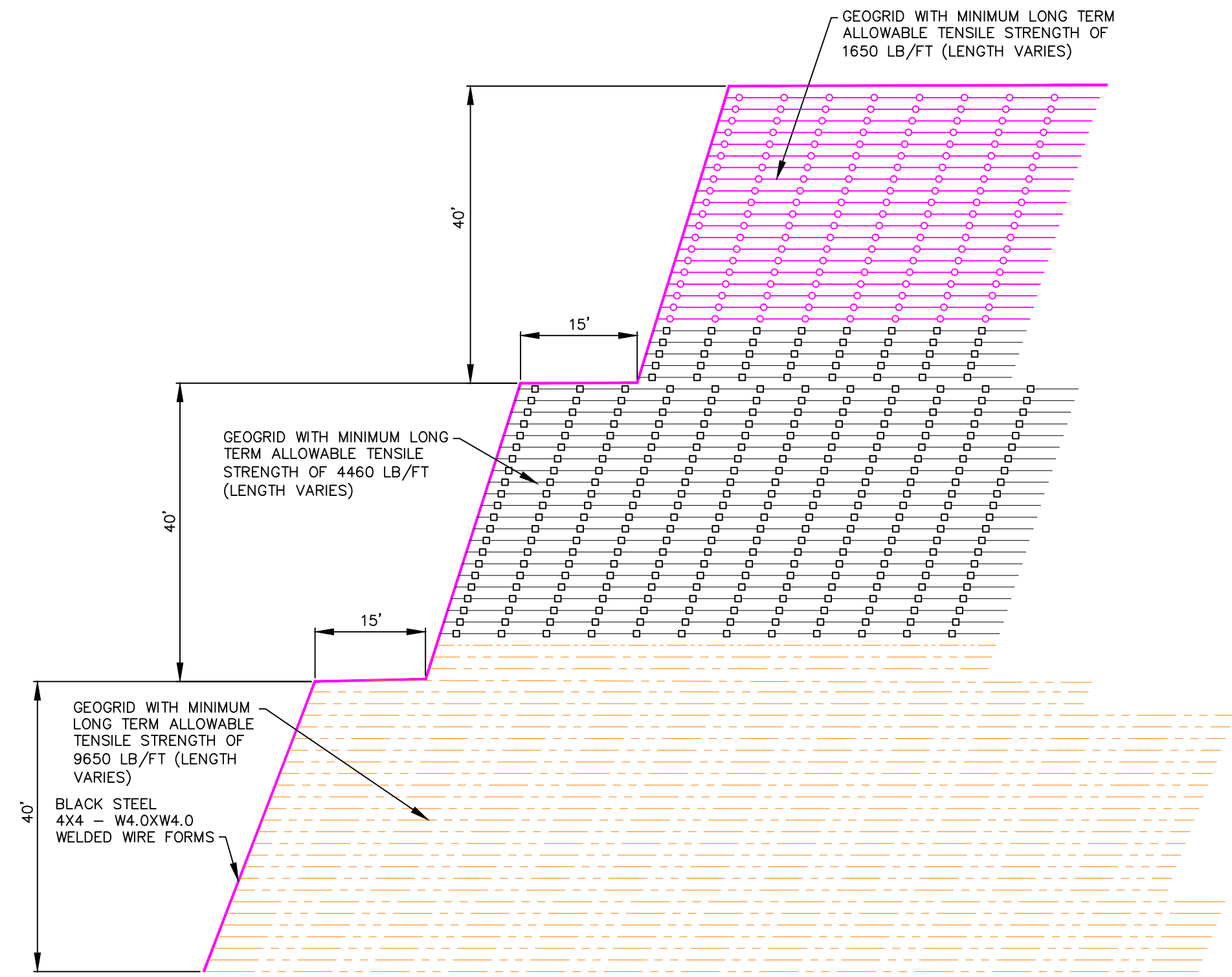
GALVANIZED SUPPORT STRUT DETAIL



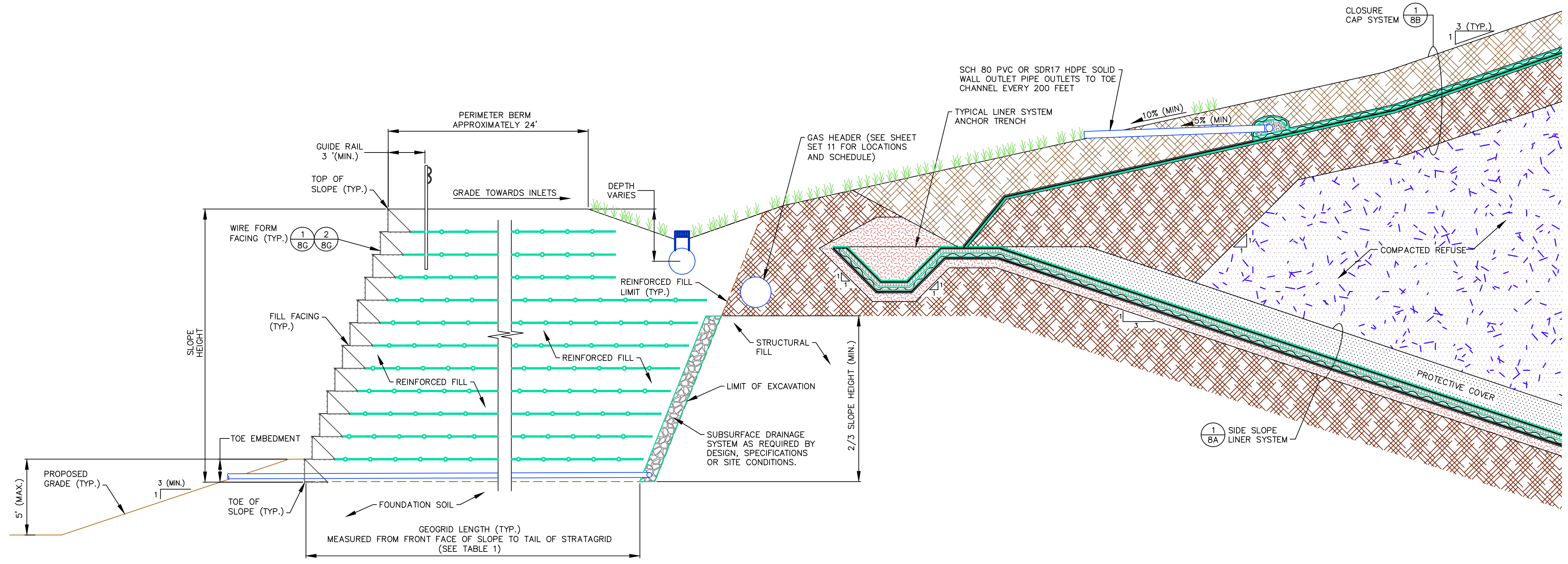
SECTION A-A

- NOTES:
1. FACING TO CONSIST OF PREFABRICATED HOT-DIP GALVANIZED STEEL WWF, 9x2-W4.5xW3.0 FORMS.
 2. ALL FORMS AND STRUTS SHALL BE GALVANIZED.
 3. STEEL WIRE AND STRUTS SHALL COMPLY WITH ASTM A82. FABRICATION SHALL MEET ASTM A185.
 4. WIRE FORMS SHALL BE HOT-DIP GALVANIZED IN ACCORDANCE WITH ASTM A123/A123M.
 5. STEEL STRUTS SHALL BE GALVANIZED (ELECTROPLATED), ASTM A641/A641M.
 6. OVERALL LENGTH OF WIRE FORMS IS 10'-0\"/>

2
8G WIRE FORM FACING DETAIL
NOT TO SCALE



3
8G MSE WALL DETAIL
NOT TO SCALE



4
8G TYPE 1 MSE WALL BERM DETAIL
NOT TO SCALE

MSE WALL GEOGRID REINFORCEMENT TABLE 1

Section	1-1'			2-2'			3-3'		
	Number of Rows	Length (ft)	Min. Strength (lb/ft)	Number of Rows	Length (ft)	Min. Strength (lb/ft)	Number of Rows	Length (ft)	Min. Strength (lb/ft)
Top	13	40	1,650	5	20	1,650	16	40	1,650
	7	60	1,650	10	40	1,650	10	60	4,460
	15	60	4,460	11	40	4,460	22	80	4,460
↓	5	80	9,650	5	60	4,460	4	85	9,650
	3	100	9,650	16	80	4,460	6	105	9,650
	9	110	9,650	4	85	9,650	15	120	9,650
18" Row Spacing	15	120	9,650	2	90	9,650	7	125	9,650
↓	--	--	--	6	110	9,650	--	--	--
	--	--	--	4	115	9,650	--	--	--
	--	--	--	3	120	9,650	--	--	--
Bottom	--	--	--	4	125	9,650	--	--	--
	--	--	--	4	130	9,650	--	--	--
	--	--	--	6	135	9,650	--	--	--

- GENERAL NOTES:
1. THE INFORMATION PRESENTED ON THIS SHEET IS FOR INFORMATIONAL AND PERMITTING PURPOSES ONLY. IT IS INTENDED TO PRESENT INFORMATION RELATED TO VARIOUS ELEMENTS OF THE PROPOSED LANDFILL EXPANSION INCLUDING LINER SYSTEM, STORMWATER CONTROLS, AND ACCESS ROAD. CONSTRUCTION DETAILS RELATED TO THE MSE WALLS WILL BE PREPARED AT A LATER DATE.
 2. THE DESIGN OF THE MSE WALLS IS THE RESPONSIBILITY OF EARTH ENGINEERING, INC. PLEASE REFER TO FORM 24, ATTACHMENT 24-10 FOR ADDITIONAL INFORMATION RELATED TO THE MSE WALL DESIGN.

	REVISIONS	
DELAWARE COUNTY SOLID WASTE AUTHORITY ROLLING HILLS LANDFILL SOUTHERN AREA LANDFILL EXPANSION EARL TOWNSHIP BERKS COUNTY PENNSYLVANIA LANDFILL MSE WALL AND BERM DETAILS SHEET 7	DATE: 09/25/17 DRAWN BY: SWH CHECKED: KCC BAI DRAWING NO.: DCSWA-107D017G SHEET NO.: 8G OF 11	
	State College Office (814) 238-2060 Delaware Valley Office (610) 495-5585	