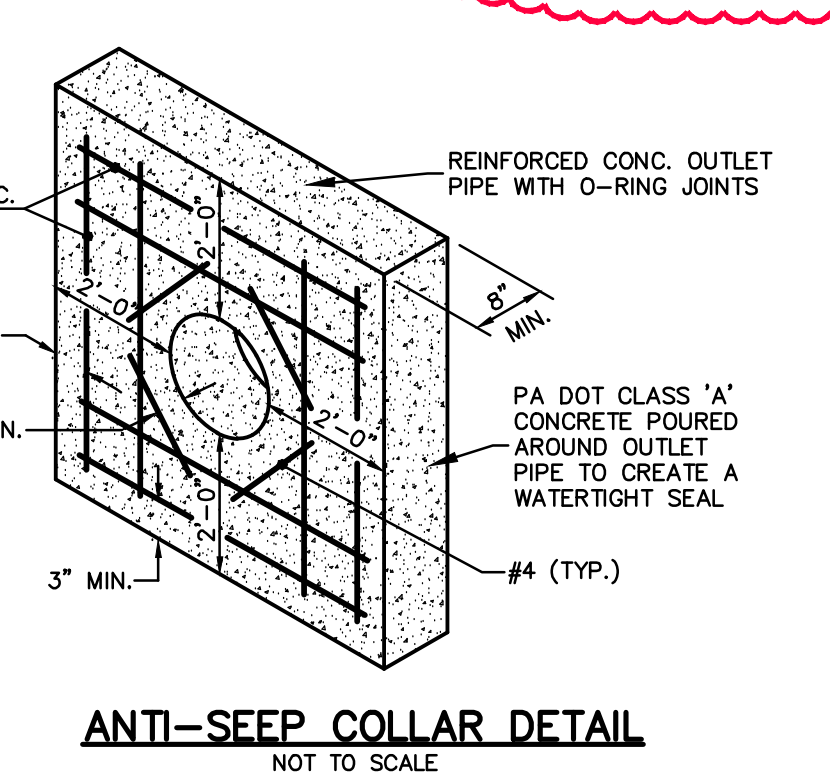
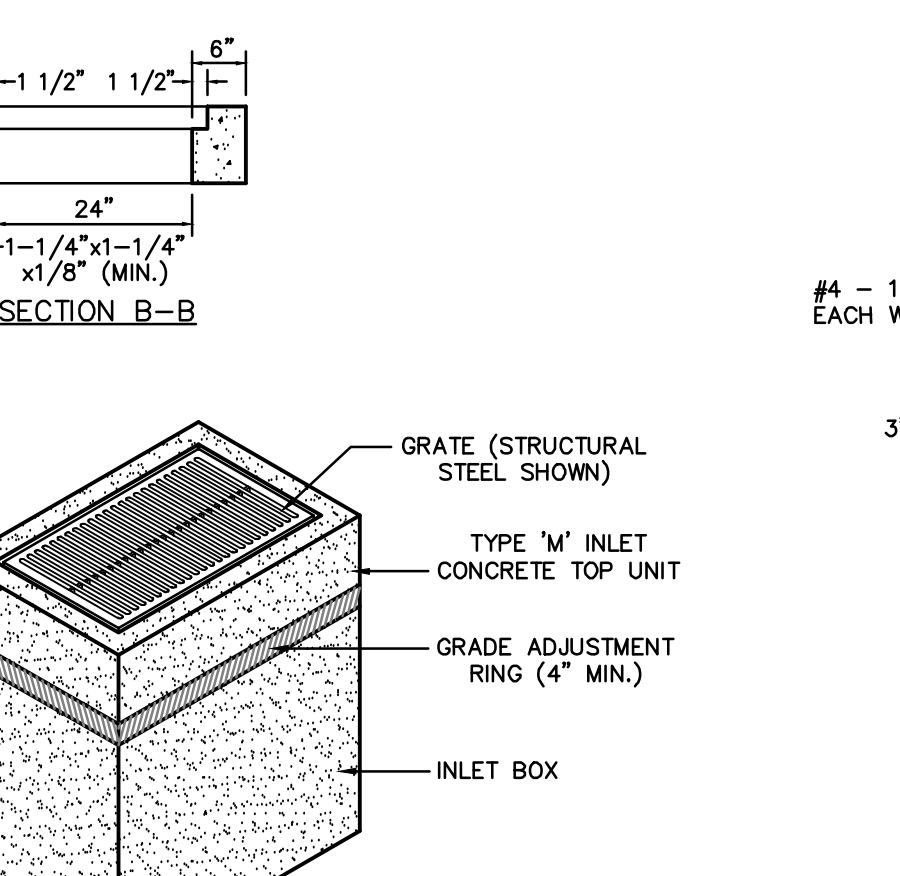
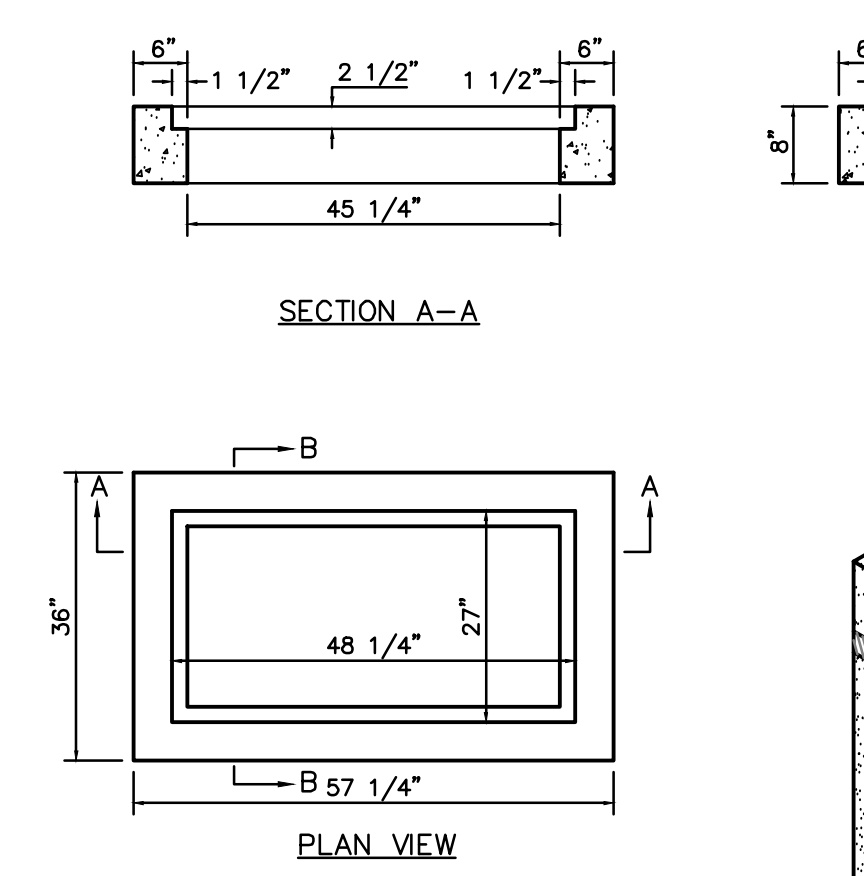
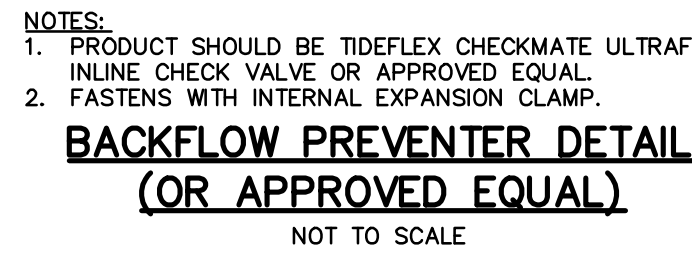
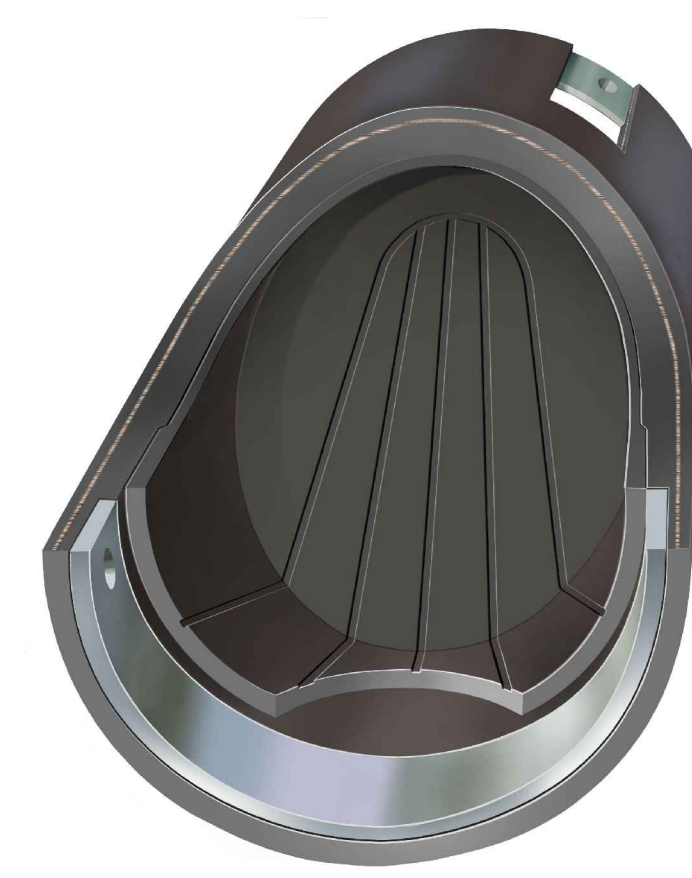
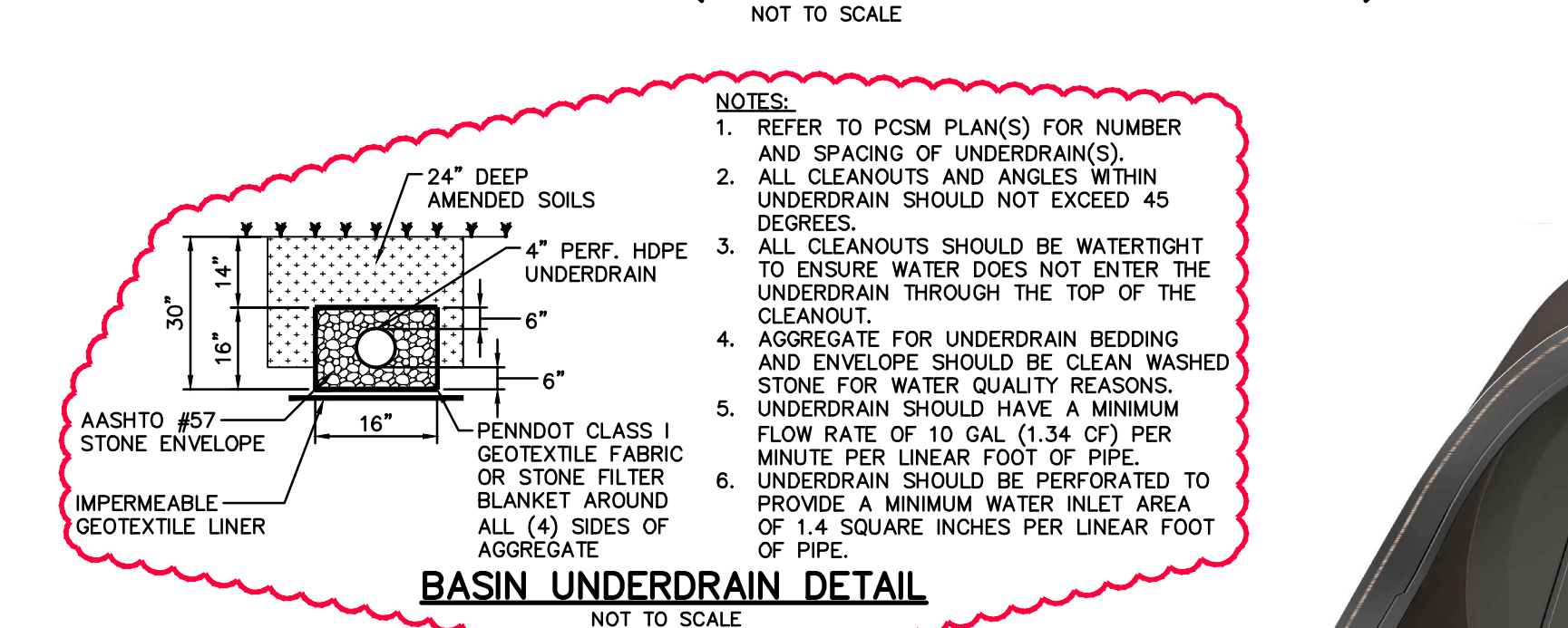
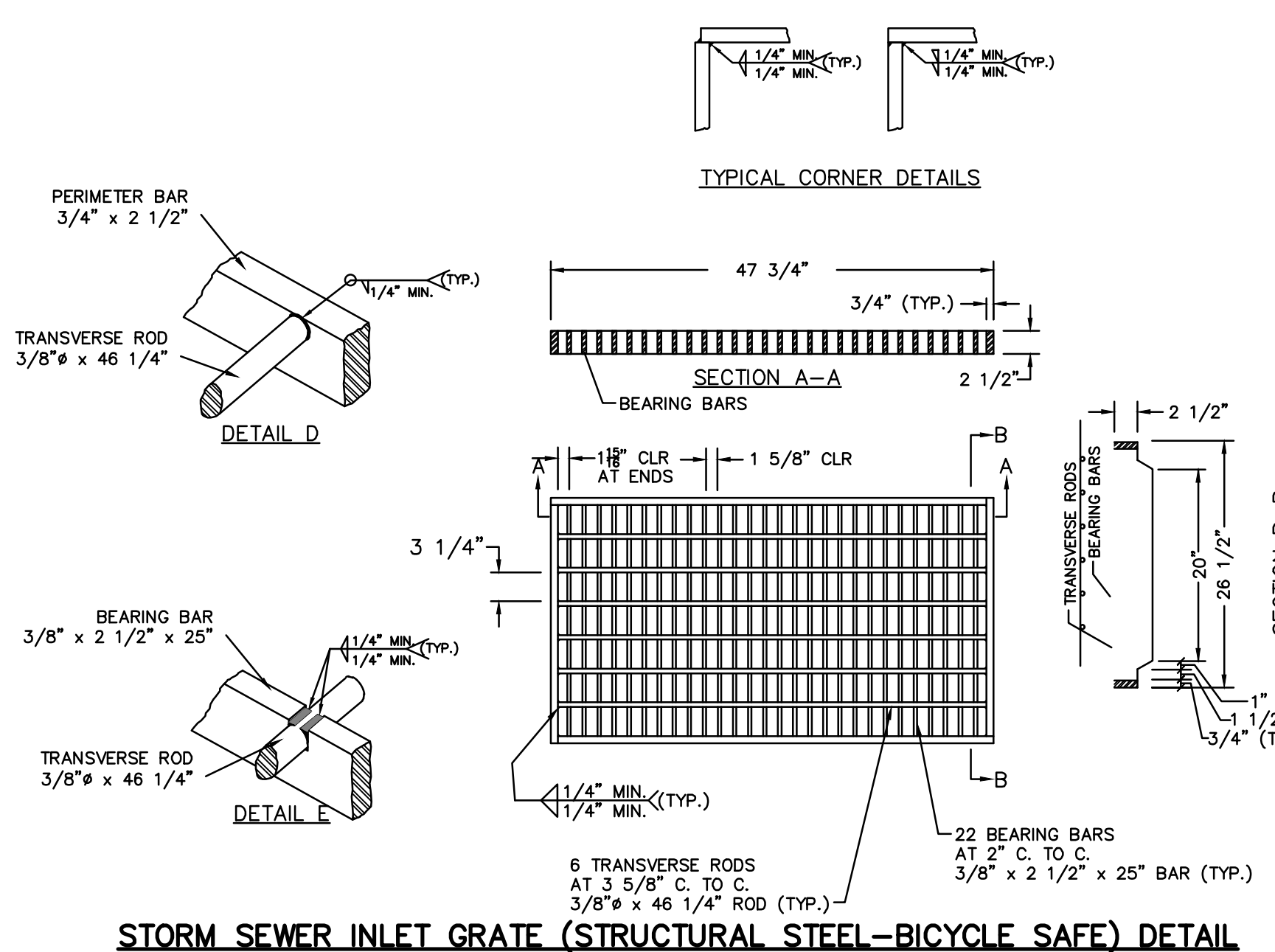
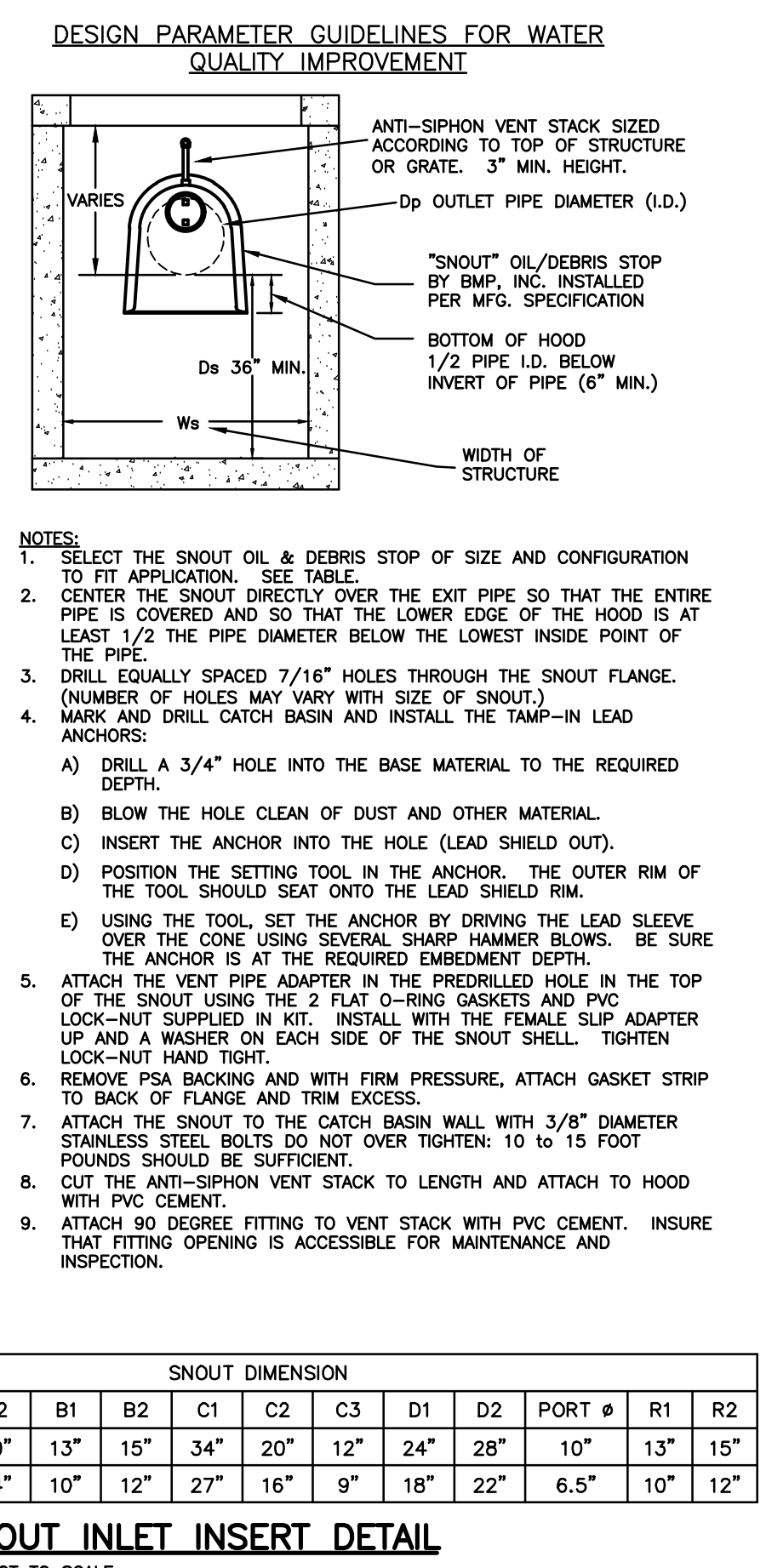
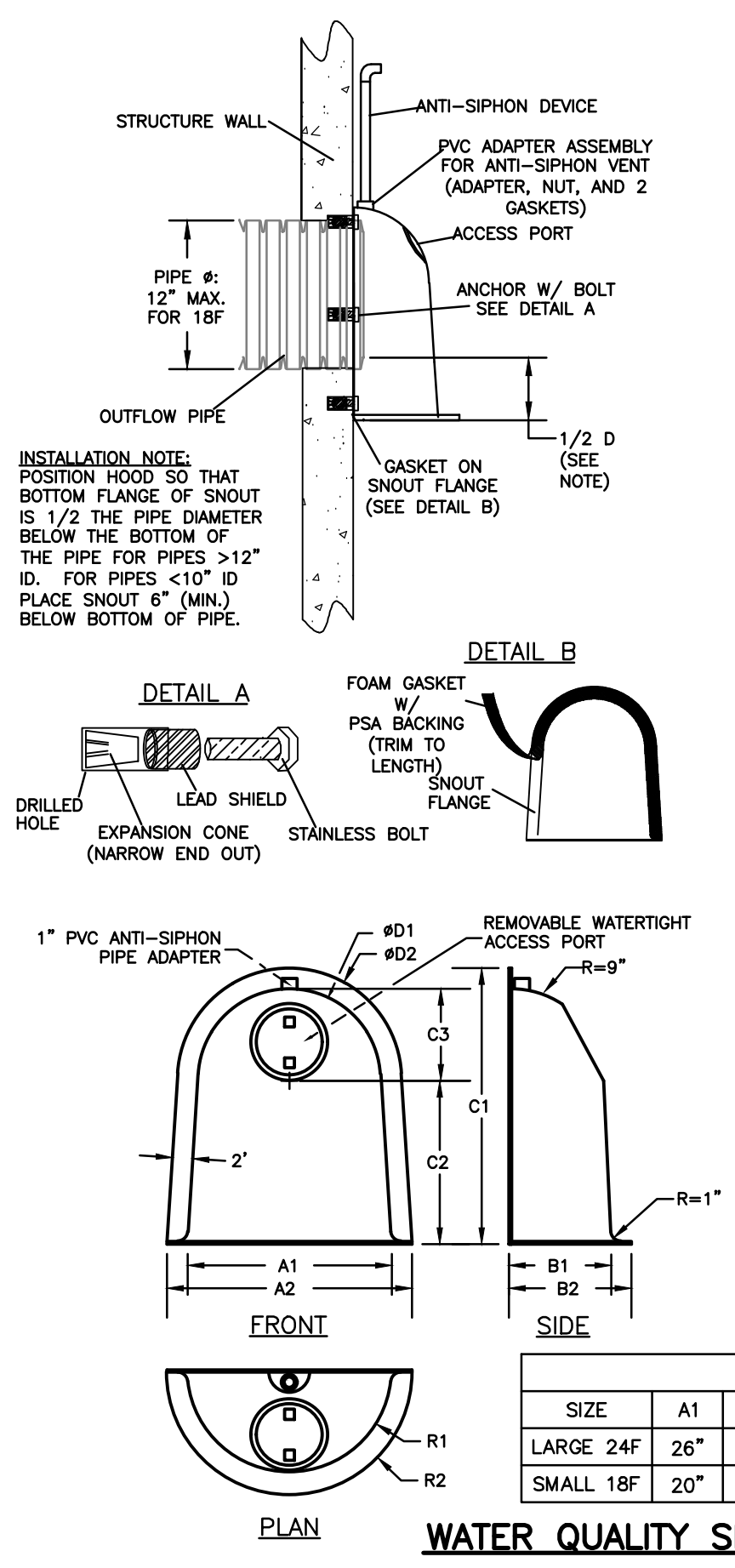


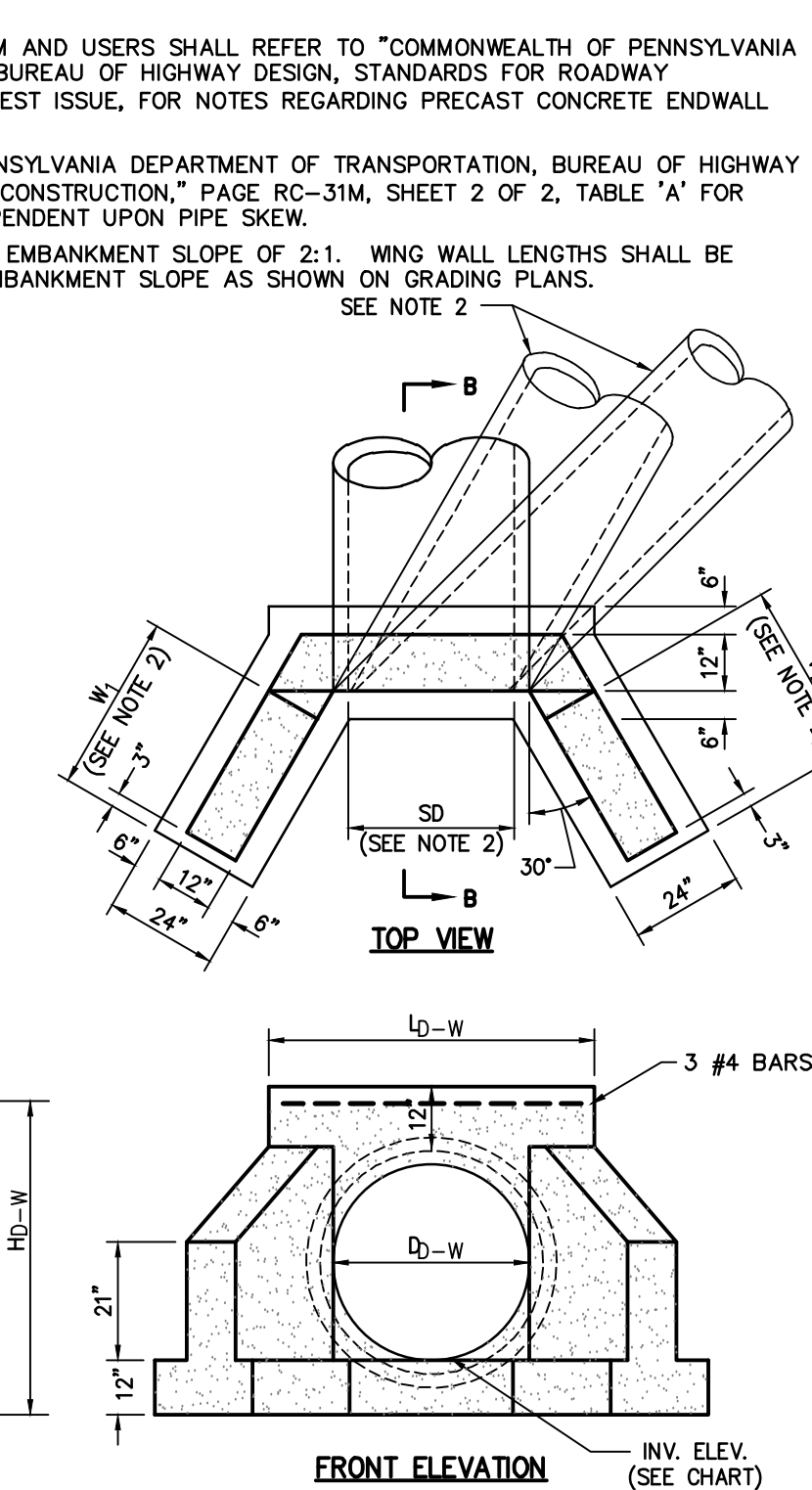
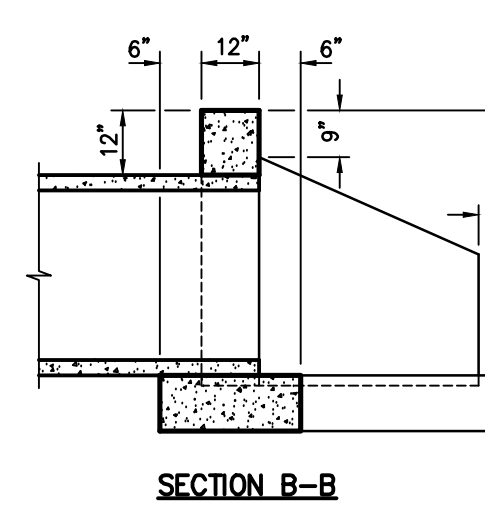
G:\LANDDEV\2012\201207083_Elcon Recycling\DESIGN\CAD\Production Drawings\207083_13-18_DETAILS.dwg Layout: P:\CSM Details 1 Plotted By: batulder, on Wed Jan 22, 2020 at 2:57pm



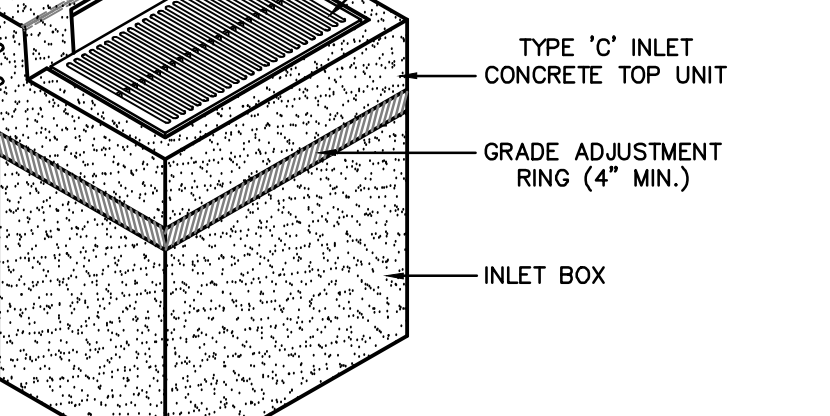
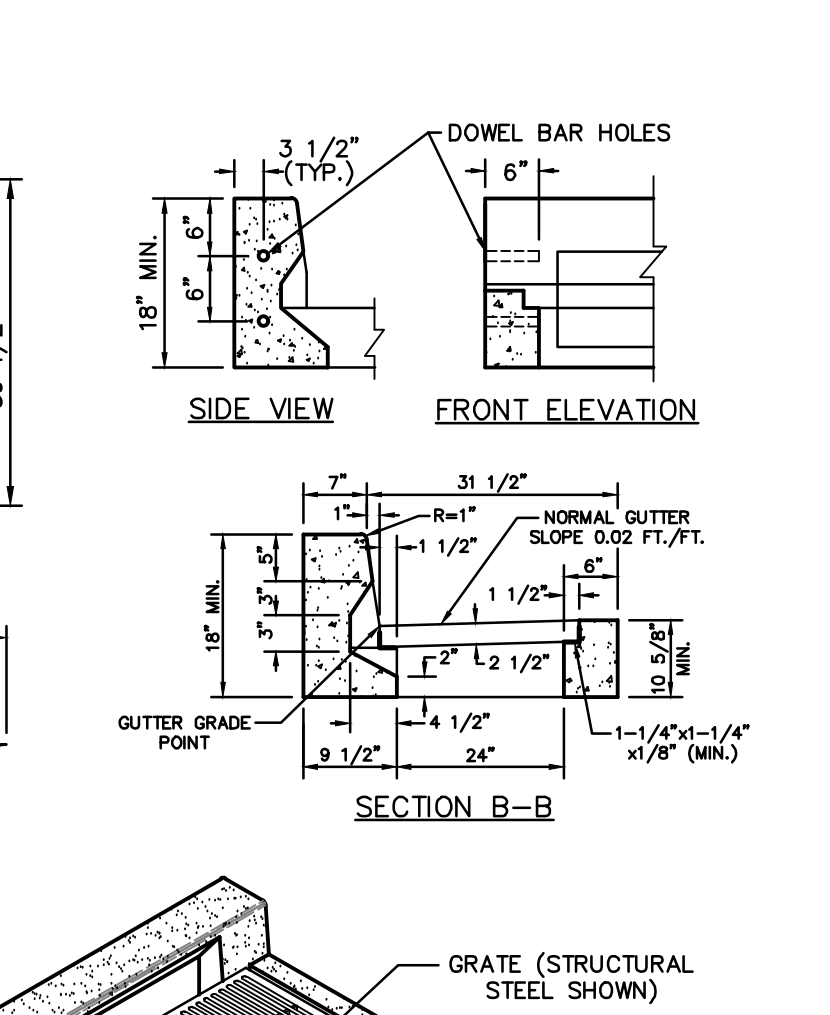
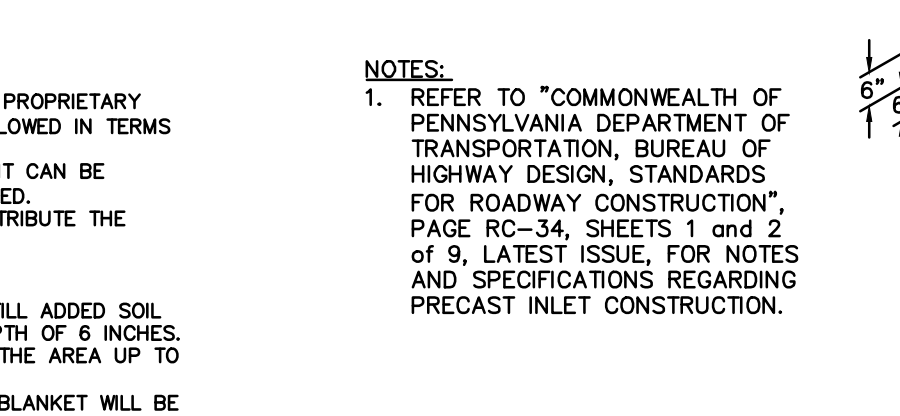
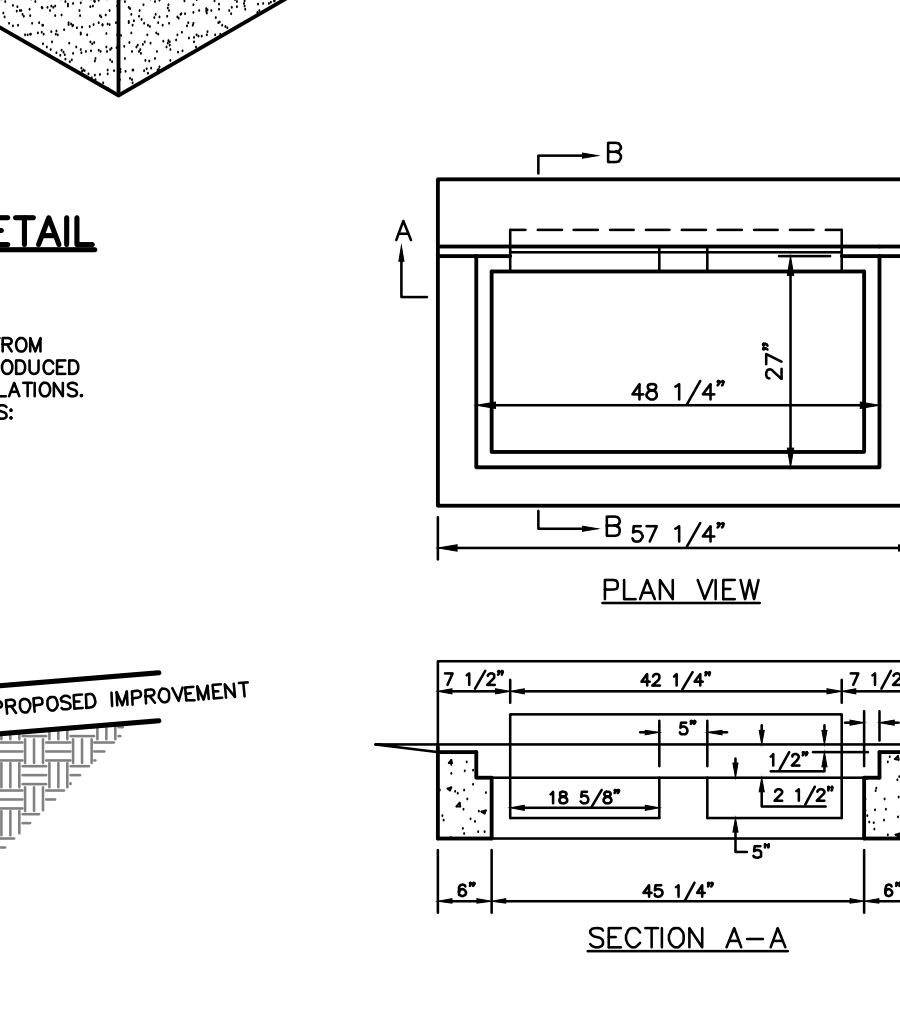
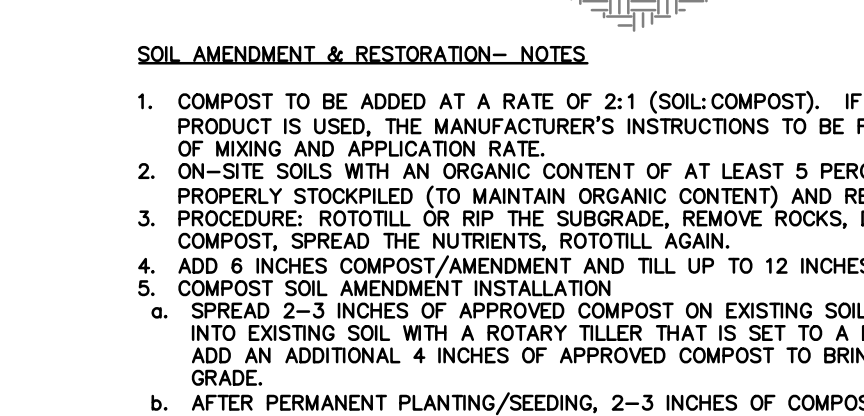
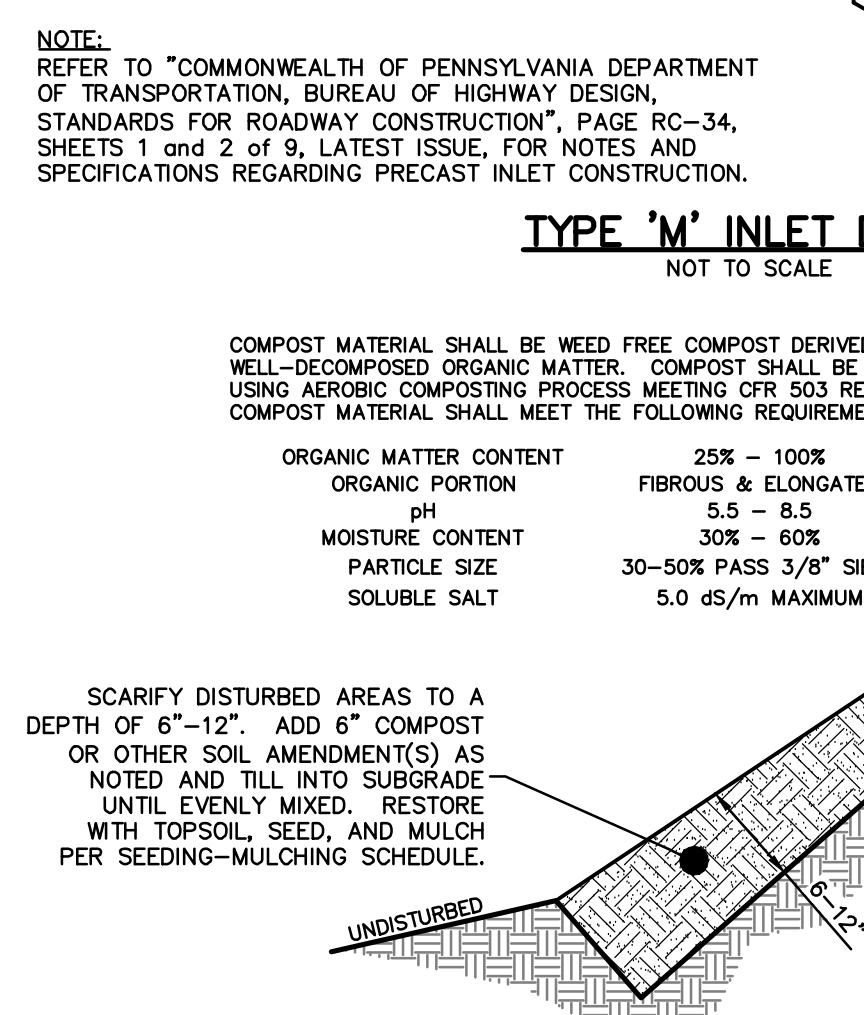
TYPE D-W ENDWALL SCHEDULE OF DIMENSIONS

PIPE I.D.	L	W	H
15"	3.5'	3.0'	2.4'
18"	3.8'	3.0'	2.7'
21"	4.1'	3.5'	3.0'
24"	4.3'	3.5'	3.2'
27"	4.5'	4.0'	3.5'
30"	4.8'	4.0'	3.8'
36"	5.8'	4.6'	4.3'
42"	6.3'	5.8'	4.9'
48"	6.9'	6.9'	5.4'
54"	7.5'	7.8'	6.0'
60"	8.1'	9.2'	6.5'
72"	9.2'	11.5'	7.6'

* WALL THICKNESS INCREASED TO 15"

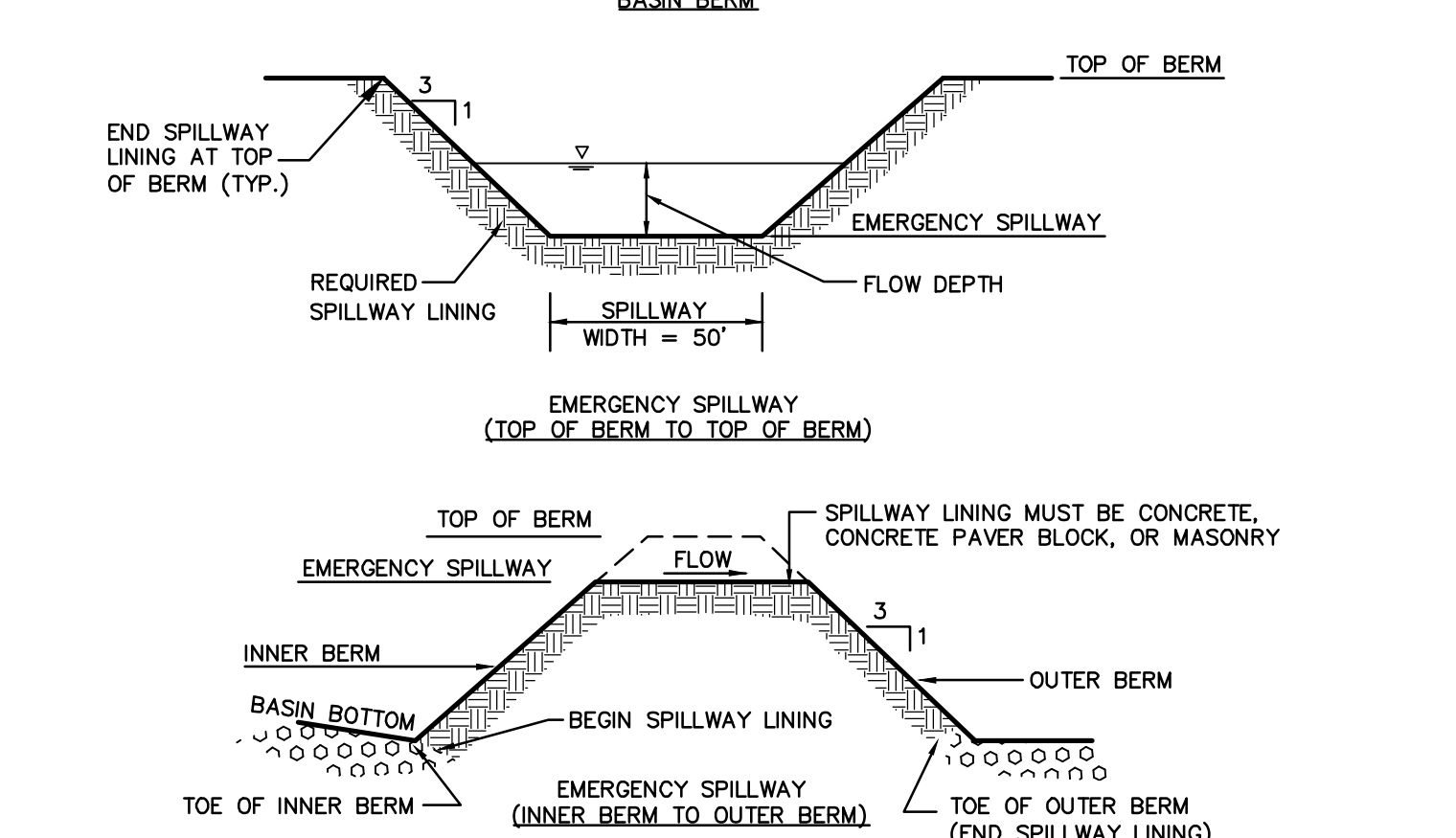
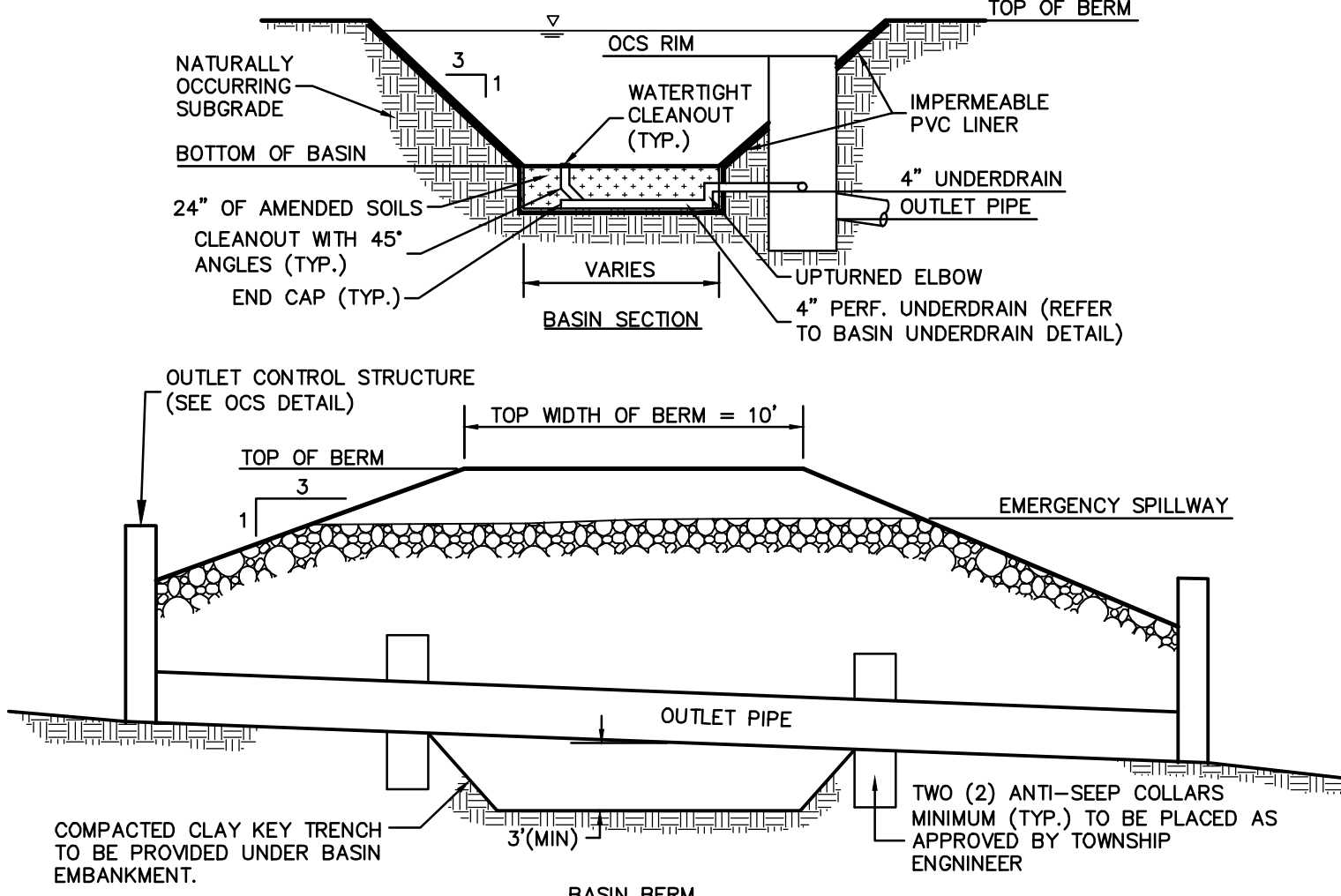
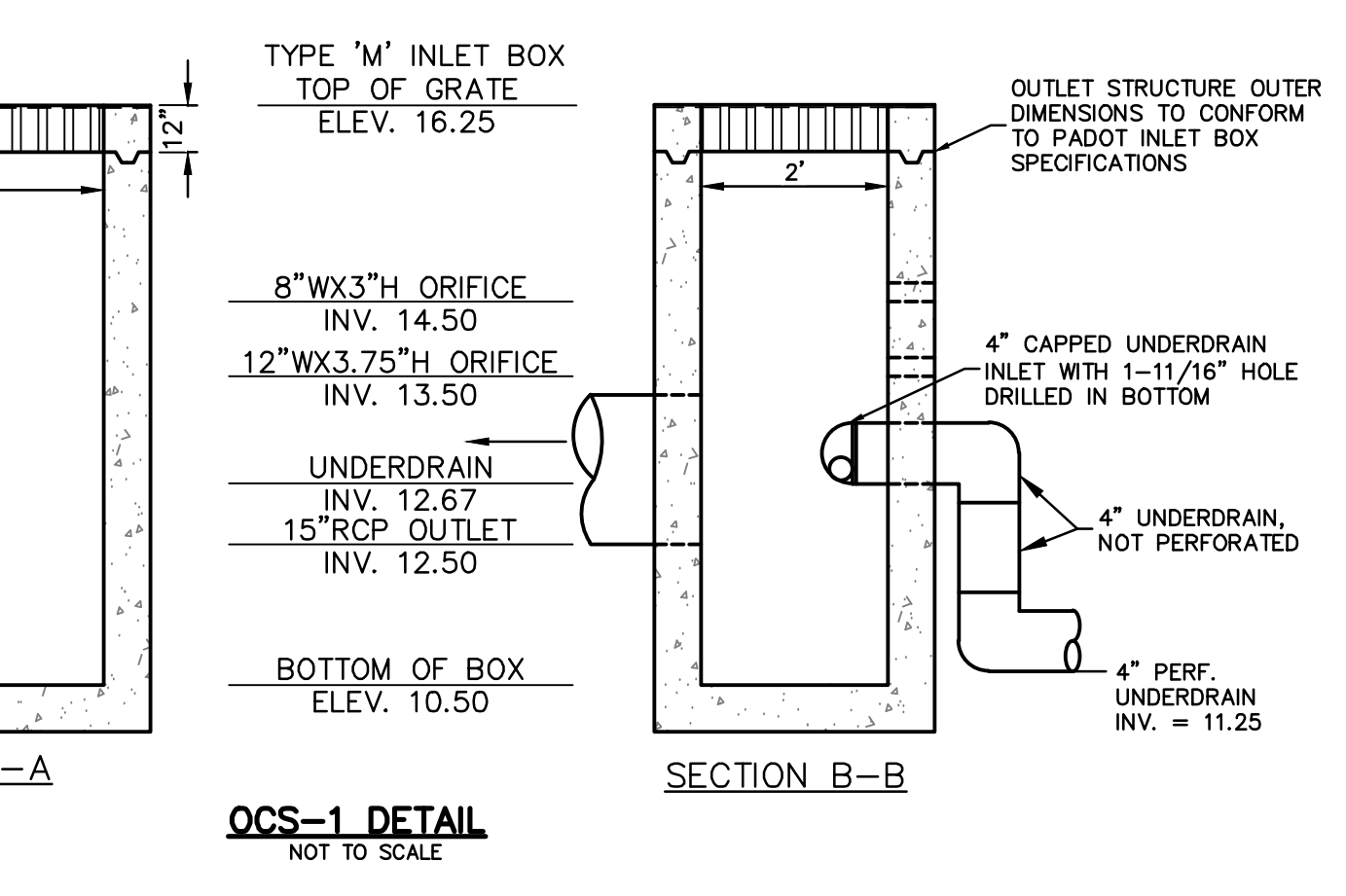
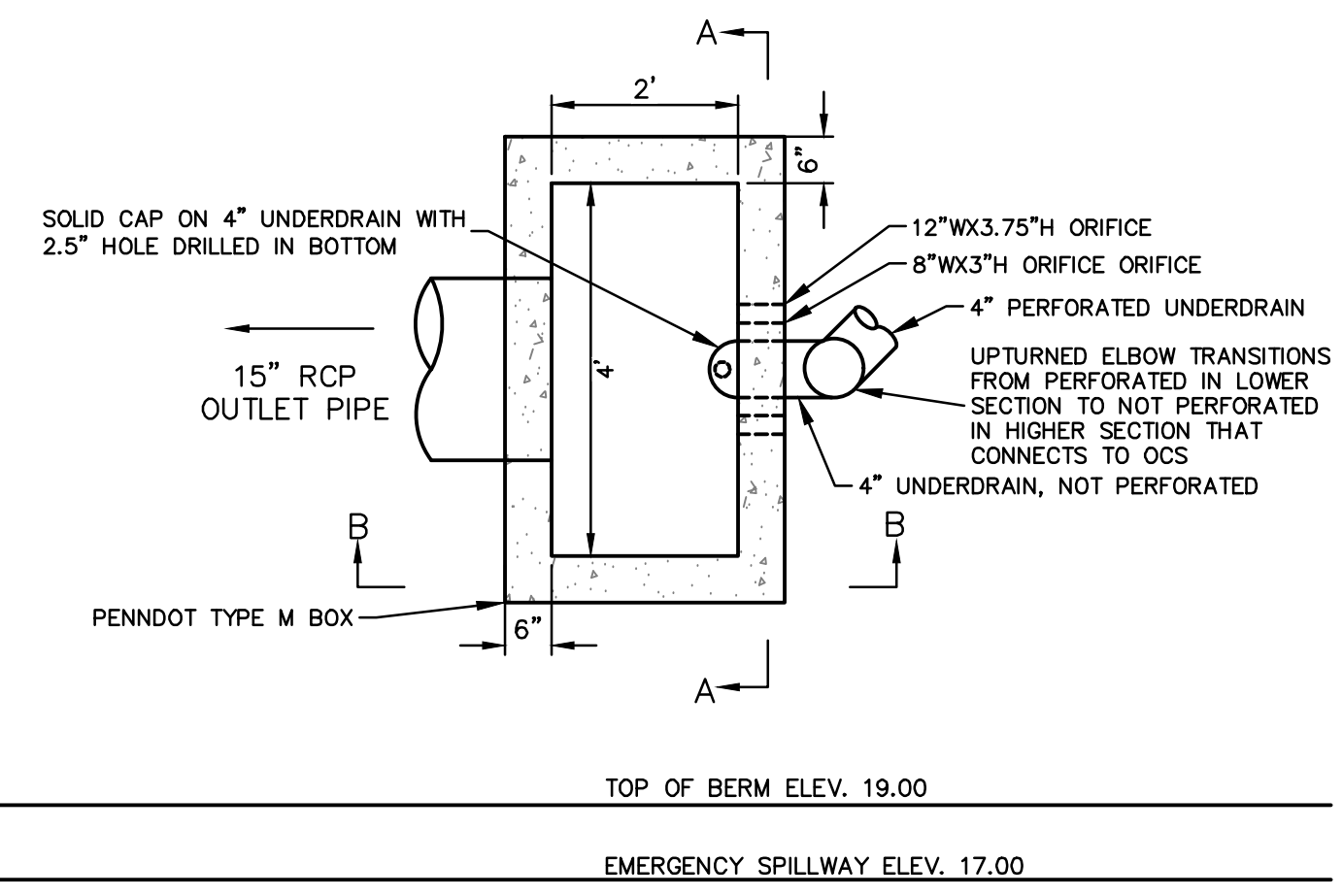


PCSM BMP	2-YR WATER ELEV	100-YR WATER ELEV	TOP OF BERM	EMER SPILLWAY ELEV	EMER SPILLWAY WIDTH	OCS RIM	BOTTOM OF BASIN	BOTTOM OF AMENDED SOILS	UNDERDRAIN INVERT IN BASIN	UNDERDRAIN INVERT IN OCS	OCS OUTLET	OCS OUTLET INVERT
LINED MRC BASIN	14.39	16.15	19.00	17.00	50 FT	16.25	13.25	11.25	11.25	12.67	15"RCP	12.50



IMPERMEABLE PVC LINER SPECS

PROPERTY	TEST METHOD	REQUIREMENT
THICKNESS	ASTM 5199	30mil (0.76 mm)
STRENGTH AT BREAK	ASTM D882	73 lbs/in (12.8 kN/m)
ELONGATION AT BREAK	ASTM D882	380%
MODULUS AT 100% ELONG.	ASTM D882	32 lbs/in (5.6 kN/m)
TEAR STRENGTH	ASTM D 1004	8 lbs (35 N)
DIMENSIONAL STABILITY	ASTM D1204	3% MAX.
LOW TEMP. IMPACT	ASTM D1790	-20° F (-29° C)
INDEX PROPERTIES		
SPECIFIC GRAVITY	ASTM D792	1.2
WATER EXTRACTION	ASTM D1239	0.15% MAX.
AVERAGE PLASTICIZER MOLECULAR WEIGHT	ASTM D2124	400
VOLATILE LOSS	ASTM D1203	0.7%
BREAKING FACTOR	ASTM G160	5% MAX.
ELONGATION AT BREAK	ASTM G160	20% MAX.
MODULUS AT 100% ELONG.	ASTM G160	20% MAX.
HYDROSTATIC RESISTANCE	ASTM D751	100 psi (690 kPa) MIN.
SEAM REQUIREMENTS		
FACTORY SEAMING METHOD	DIELECTRIC FUSION WELD	
SHEAR STRENGTH	ASTM D882	58.4 lbs/in (10 kN/m)
PEEL ADHESION	ASTM D882	15 lbs/in (2.6 kN/m)



GILMORE & ASSOCIATES, INC.
ENGINEERING & CONSULTING SERVICES

16 EAST BUTLER AVENUE SUITE 100, NEW BERTHLEMM, PA 18901-3433 • WWW.GILMORE-INC.COM

ONLY THOSE PLANS INCORPORATING THE PROFESSIONAL SEAL SHOULD BE CONSIDERED OFFICIAL AND RELIED UPON BY USER. THIS PLAN IS HEREBY REVOKED AND VOIDED IN WHOLE OR IN PART WITHOUT THE WRITTEN CONSENT OF GILMORE & ASSOCIATES, INC. IS PROHIBITED. © COPYRIGHT 2017 GILMORE & ASSOCIATES, INC. ALL RIGHTS RESERVED.

ELCON RECYCLING

LAND DEVELOPMENT PLAN
PCSM DETAILS 1

APPLICANT: ELCON RECYCLING SERVICES
BLUE BELL, PA 19042
(855) 463-6384

TAX MAP PARCEL NO.: 13-51-1-5
MUNICIPAL FILE NO.: N/A

JOB NO.: 2012-07083
DATE: 12/10/18

TOTAL AREA: 32,287 AC.
SCALE: AS NOTED

DESIGNED BY: BMS
DRAWN BY: BMS
CHECKED BY: JWH

PA DEP SUBMISSION: 01/17/20
NPDES SUBMISSION: 07/12/19
FALLS TOWNSHIP RESUBMISSION: 04/18/19

NO.	DESCRIPTION	DATE	BY
1	FALLS TOWNSHIP RESUBMISSION	04/18/19	JWH
2	NPDES SUBMISSION	07/12/19	JWH
3	PA DEP SUBMISSION	01/17/20	JWH

SHEET NO.: 3