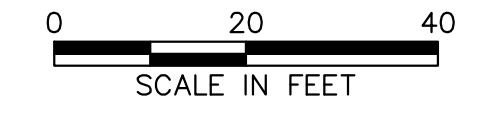
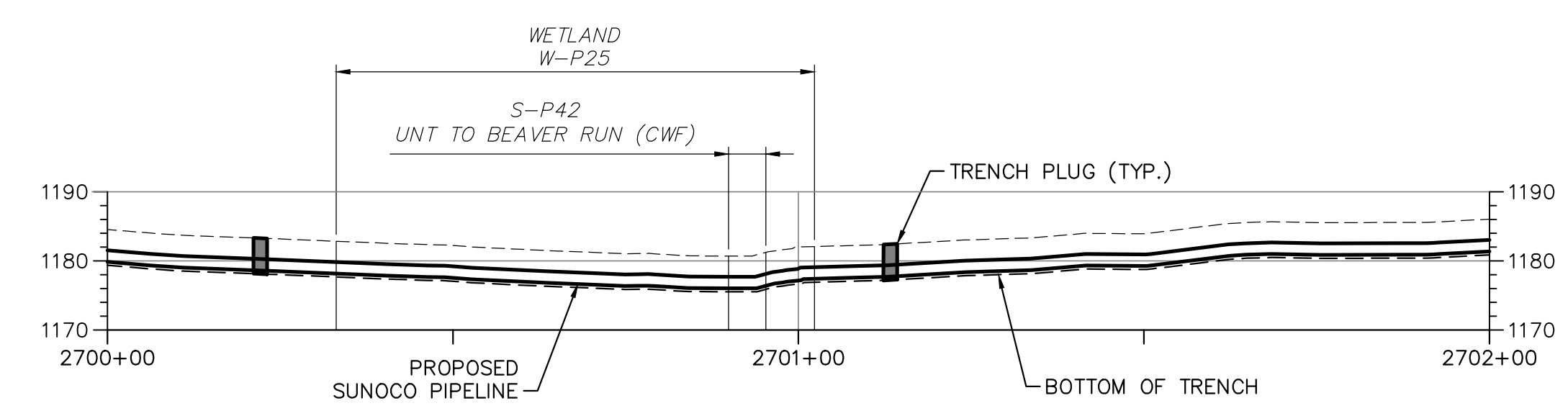


PLAN



NOTE:
THE PUMPED WATER FILTER BAG LOCATION IS APPROXIMATE. THE LOCATION IN FIELD MAY BE ADJUSTED AS NEEDED TO PERFORM THE WORK.



PROFILE



661 ANDERSEN DRIVE - FOSTER PLAZA 7
PITTSBURGH, PA 15220
T: (412) 921-7090 | F: (412) 921-4040

REVISIONS			
NO.	BY	DATE	REMARKS

SUNOCO PIPELINE L.P.
SINKING SPRINGS, PENNSYLVANIA
PENNSYLVANIA PIPELINE PROJECT
CONSTRUCTION SPREAD 2

PROPOSED WELDED STEEL NATURAL GAS LIQUIDS PIPELINES
PADEP - SOUTHWEST REGION
WESTMORELAND COUNTY CONSERVATION DISTRICT
W-P25 & S-P42
SITE SPECIFIC PLAN & PROFILE

DATE:	1/29/16
PROJECT NO.:	112C05958
DESIGNED BY:	BH
DRAWN BY:	BH
CHECKED BY:	RS
COPYRIGHT TETRA TECH INC.	
FIGURE 1	
SHEET 1 OF 1	