

# TRANSCONTINENTAL GAS PIPE LINE COMPANY LLC ATLANTIC SUNRISE PROJECT PROPOSED 30" CENTRAL PENN LINE NORTH

## BEST MANAGEMENT PRACTICES AND QUANTITIES PLAN SET

MONROE, NORTHMORELAND, EATON, FALLS, OVERFIELD, CLINTON, NICHOLSON AND LENOX  
TOWNSHIP

WYOMING COUNTY

### BMP DETAIL SUMMARY

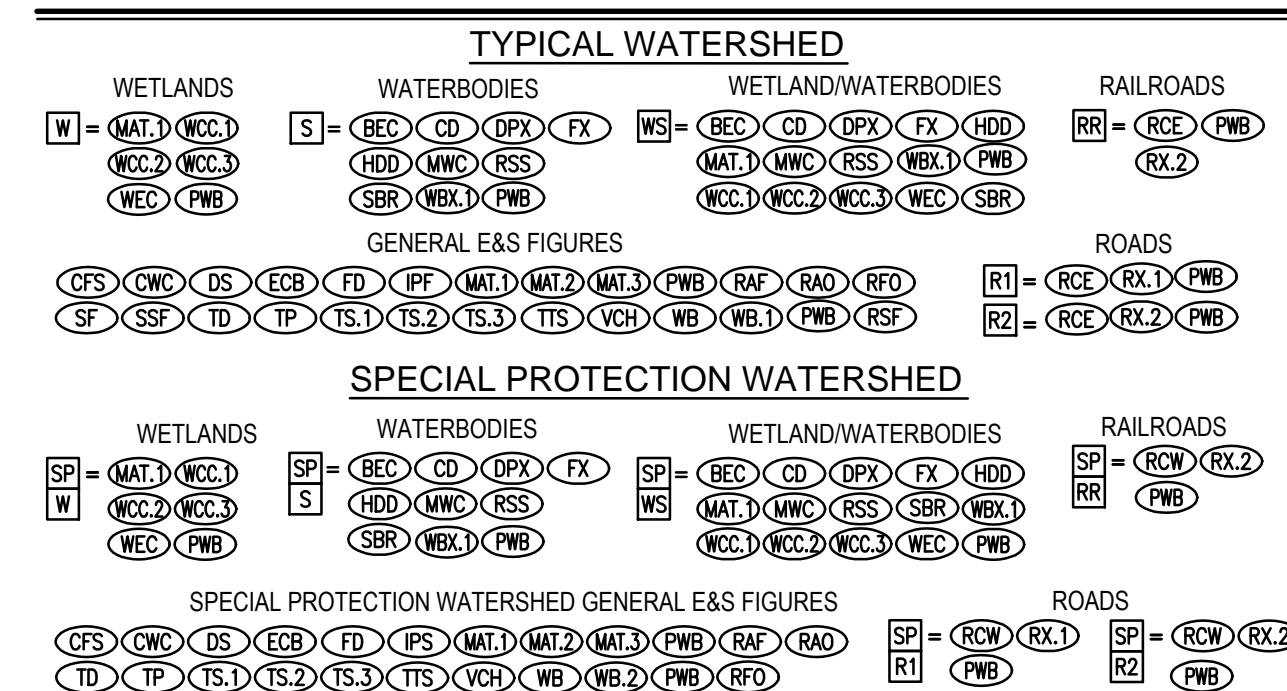
FIGURE	FIGURE TITLE	SHEET NO.
ARF	ABACT ROCK FILTER	1
BBD	BROAD-BASED DIP	
BEC	BRIDGE EQUIPMENT CROSSING	
CD	COFFERDAM STREAM CROSSING	
CDM	CHECK DAM	2
CFS	COMPOST FILTER SOCK	
CS	CLEANOUT STAKE	
CST	COMPOST SOCK SEDIMENT TRAP	
CWC	CLEAN WATER CROSSING (FLUME CROSSING)	3
DPX	DAM AND PUMP STREAM CROSSING	
DS	HYDROSTATIC DEWATERING STRUCTURE	
ECB	EROSION CONTROL BLANKET	
FD	FILTER SOCK DIVERSION	4
FEN	CONSTRUCTION FENCE	
FX	FLUME STREAM CROSSING	
HDD	HORIZONTAL DIRECTIONAL DRILL	
IPF	FILTER BAG INLET PROTECTION TYPE M	5
IPS	STONE AND CONCRETE INLET PROTECTION TYPE M	
MAT.1	TIMBER MATTING IN WETLANDS OR AT LOW POINTS	
MAT.2	TIMBER MATTING WITH FILL OVER EXISTING PIPELINES	
MAT.3	TIMBER MATTING AIR BRIDGE	6
MWC	WET MINOR WATERBODY CROSSING	
PWB	PUMP WATER FILTER BAG	
RAO	RIP RAP APRON AT PIPE OUTLET WITHOUT FLARED END SECTION	
RAP	RIP RAP GRADATION	7
RCE	ROCK CONSTRUCTION ENTRANCE	
RCW	ROCK CONSTRUCTION ENTRANCE WITH WASH RACK	
RFO	ROCK FILTER OUTLET	
RSF	REINFORCED SILT FENCE (30" HIGH)	8
RSS	RIP RAP STREAM BANK STABILIZATION	
RX.1	TRENCHED ROAD CROSSING	
RX.2	BORED ROAD/RAILROAD CROSSING	
SBR	STREAM BANK STABILIZATION WITH REINFORCEMENT BLANKET	9
SF	STANDARD SILT FENCE (18" HIGH)	
SSF	SUPER SILT FENCE (33" HIGH)	
TD	TRENCH DEWATERING	
TP	TRENCH PLUG INSTALLATION	10
TRV	TRASH RACK AND ANTI VORTEX DEVICE	
TS.1	TOPSOIL SEGREGATION (1)	
TS.2	TOPSOIL SEGREGATION (2)	
TS.3	TOPSOIL SEGREGATION (3)	11
TTS	SIDE SLOPE (TWO-TONE) CONSTRUCTION PROCEDURE	
VCH	VEGETATED CHANNEL	
WB	WATERBAR	
WB.1	WATERBAR END TREATMENT NON-SPECIAL PROTECTION WATERSHED	11
WB.2	COMPOST FILTER SOCK AND SUMP (PADEP APPROVED ALTERNATE DETAIL) AT WATERBAR DISCHARGE	
WBX.1	BORED WATERBODY CROSSING	
WCC.1	"UNSATURATED WETLAND" INSTALLATION PROCEDURE	
WCC.2	"SATURATED WETLAND" INSTALLATION PROCEDURE	
WCC.3	"INUNDATED WETLAND" INSTALLATION PROCEDURE	
WD	WATER DEFLECTOR	
WEC	WETLAND EQUIPMENT	

DETAILS THAT ARE NOT UTILIZED IN THIS COUNTY ARE STRUCK THROUGH IN THIS TABLE. THESE DETAILS ARE ALSO CROSSED OUT WITH A NOTE THAT READS "DETAILS ARE NOT UTILIZED IN THIS COUNTY" ON THEIR RESPECTIVE SHEET.

### DRAWING INDEX

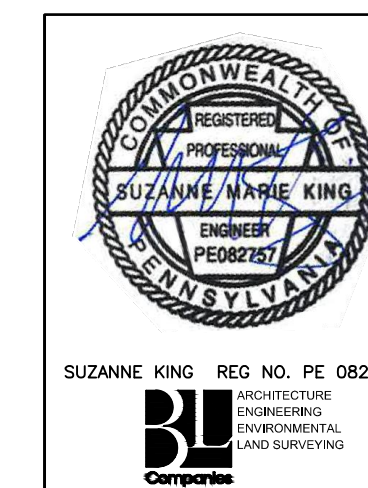
DRAWING NUMBER	SHEET NO.	DRAWING NAME
24-1601-70-28-A/1683_3-BMP	1-1	COVER SHEET
ASR-BMP-GN	1-3	GENERAL NOTES
ASR-BMP	1-11	BEST MANAGEMENT PRACTICES STANDARD CONSTRUCTION DETAILS
24-1600-70-28-A/1683_3-BMP-WY-TB	1-3	QUANTITY, CROSSING, AND ACIDIC SOIL TABLES

### E&S DETAIL GROUP LEGEND FOR PIPELINE CROSSINGS



DETAILS IN THIS LEGEND ARE NOT COMPREHENSIVE AND ONLY REFER TO BMPs RELATED TO PIPELINE CROSSINGS. ADDITIONAL BMPs ARE PROVIDED FOR ACCESS ROADS.

E&S DETAIL GROUP LEGEND IS ALSO PROVIDED ON THE PIPELINE E&S PLANS. LEGEND IS SHOWN HERE FOR COORDINATION PURPOSES.



REVISIONS					
NO.	DATE	BY	DESCRIPTION	W.O. NO.	CHK. APP.
0	08/26/2015	BL	ISSUED FOR PADEP SUBMITTAL	W0572385	JLK SMK
1	12/02/2015	BL	ISSUED FOR PADEP RESUBMITTAL	W0572385	JLK SMK
2	Oct. 2016	BL	PADEP TECHNICAL DEFICIENCY RESPONSE #1	W0572385	JLK A.B

TRANSCONTINENTAL GAS PIPE LINE COMPANY, LLC			
ATLANTIC SUNRISE PROJECT			
PROPOSED 30" CENTRAL PENN LINE NORTH			
PENNSYLVANIA BEST MANAGEMENT PRACTICES AND QUANTITIES PLAN SET			
WYOMING COUNTY, PENNSYLVANIA			
COVER SHEET			
DRAWN BY:	ELZ	DATE:	05/15/15
CHECKED BY:	JLK	DATE:	07/02/15
APPROVED BY:	SMK	DATE:	07/08/15
ISSUED FOR:	CONSTRUCTION	SCALE:	
DRAWING NUMBER:	24-1601-70-28-A/1683_3-BMP		SHEET 1 OF 1





**PIPELINE BMP INSTALLATION SEQUENCE**

1. AT LEAST 7 DAYS PRIOR TO STARTING ANY EARTH DISTURBANCE ACTIVITIES, INCLUDING CLEARING AND GRUBBING, THE OWNER AND/OR OPERATOR SHALL INVITE ALL CONTRACTORS, ENVIRONMENTAL INSPECTORS, THE LANDOWNER, APPROPRIATE MUNICIPAL OFFICIALS, THE E&S PLAN PREPARER, THE PCSM PLAN PREPARER, THE LICENSED PROFESSIONAL RESPONSIBLE FOR OVERSIGHT OF CRITICAL STAGES OF IMPLEMENTATION OF THE PCSM PLAN, AND A REPRESENTATIVE FROM THE LOCAL CONSERVATION DISTRICT TO AN ON-SITE PRECONSTRUCTION MEETING.
2. AT LEAST 3 DAYS PRIOR TO STARTING ANY EARTH DISTURBANCE ACTIVITIES, OR EXPANDING INTO AN AREA PREVIOUSLY UNMARKED, THE PENNSYLVANIA ONE CALL SYSTEM INC. SHALL BE NOTIFIED AT 1-800-242-1776 FOR THE LOCATION OF EXISTING UNDERGROUND UTILITIES.
3. HOLD PRE-CONSTRUCTION CONFERENCE WITH THE ENVIRONMENTAL INSPECTORS, LOCAL COUNTY CONSERVATION DISTRICT (CCD), PADEP, AND DESIGN ENGINEER.
4. LOCATE STAGING AREAS AND ACCESS POINTS INCLUDING CONSTRUCTION ENTRANCES. FIELD LOCATE THE LOD.
5. LOCATE, STAKE AND/OR INSTALL ORANGE CONSTRUCTION FENCE AROUND SPECIAL AREAS OF CONCERN (I.E. WETLANDS, STREAMS, CULTURAL RESOURCES.)
6. PERFORM NON-MECHANIZED TREE CUTTING WHERE REQUIRED.
7. INSTALL CONSTRUCTION ENTRANCES.
8. ALL OFF-SITE WASTE AND BORROW AREAS MUST HAVE AN E&S PLAN APPROVED BY THE LOCAL COUNTY CONSERVATION DISTRICT OR DEP AND BE FULLY IMPLEMENTED PRIOR TO BEING ACTIVATED. THE CONTRACTOR WILL BE RESPONSIBLE FOR THE REMOVAL OF ANY EXCESS MATERIAL AND TO DEVELOP A PLAN THAT MEETS THE CONDITIONS OF CHAPTER 102, NPDES PERMIT CONDITIONS, AND/OR OTHER STATE AND FEDERAL REGULATIONS.
9. REMOVE BRUSH, INCLUDING STUMPS, ONLY IN AREAS NECESSARY TO EFFECTIVELY INSTALL PERIMETER SEDIMENT BARRIERS, UPSLOPE TEMPORARY FILTER SOCK DIVERSIONS AND TEMPORARY DIVERSION SWALES. LEVEL SIDE CUTS REQUIRED TO GRANT ACCESS FOR VEHICLES AND WORKERS TO SAFELY PERFORM THE INSTALLATION OF SEDIMENT BARRIERS AS SHOWN ON THE E&S PLANS.
10. INSTALL PERIMETER CONTROLS (SEDIMENT BARRIERS). ACCESS REQUIREMENTS FOR PERIMETER CONTROLS ALONG PRIVATE DRIVES WITHIN THE LOD SHALL BE IN ACCORDANCE WITH THE LANDOWNER AGREEMENTS.
11. INSTALL PERMANENT AND TEMPORARY ACCESS ROADS AND ASSOCIATED BMPS (VEGETATED ROADSIDE DITCHES, DITCH RELIEF CULVERTS, AND RIPRAP OUTLET PROTECTION). SEE ACCESS ROAD SEQUENCE OF CONSTRUCTION FOR SPECIFIC CONSTRUCTION STEPS ASSOCIATED WITH ROAD CONSTRUCTION (PROVIDED IN SECTION 2 OF THE ESCGP-2 NOI).
12. THE COMPLIANCE MANAGER SHALL PROVIDE PADEP AT LEAST THREE DAYS' NOTICE PRIOR TO BULK EARTH DISTURBANCE AND UPON COMPLETED INSTALLATION OF PERIMETER EROSION CONTROLS.
13. HAVE SURVEY CREWS LOCATE AND RE-STAKE AS NEEDED, IF ANY STAKES ARE DAMAGED, IN ALL SPECIAL AREAS OF CONCERN (I.E., WETLANDS, STREAMS, ETC.)
14. UPON TEMPORARY CESSATION OF AN EARTH DISTURBANCE ACTIVITY OR ANY STAGE OF AN ACTIVITY WHERE THE CESSATION OF EARTH DISTURBANCE ACTIVITIES WILL EXCEED FOUR DAYS, THE SITE SHALL BE IMMEDIATELY SEEDED, MULCHED, OR OTHERWISE PROTECTED FROM ACCELERATED E&SC PENDING FUTURE EARTH DISTURBANCE ACTIVITIES. FOR AN EARTH DISTURBANCE ACTIVITY OR ANY STAGE OF AN ACTIVITY TO BE CONSIDERED TEMPORARILY STABILIZED, THE DISTURBED AREAS SHALL BE COVERED WITH ONE OF THE FOLLOWING: A MINIMUM UNIFORM COVERAGE OF MULCH AND SEED, WITH A DENSITY CAPABLE OF RESISTING ACCELERATED E&SC, OR AN ACCEPTABLE E&SC BMP WHICH TEMPORARILY MINIMIZES ACCELERATED E&SC. TEMPORARY STABILIZATION WILL NOT OCCUR ON ACTIVE VEHICULAR TRAVEL WAYS WITHIN THE ROW.
15. PROCEED WITH MAJOR CLEARING AND GRUBBING.
16. BEGIN CONSTRUCTION STAKING FOR TEMPORARY GRADING.
17. INSTALL CLEAN WATER CROSSINGS, INCLUDING LINERS, RIP RAP APRON ENERGY DISSIPATORS AND FLUME CROSSINGS
18. AS THE GRUBBING OPERATION COMMENCES, INSTALL ROCK FILTERS AND WATERBARS ALONG THE ALIGNMENT.
19. STRIP AND STOCKPILE TOPSOIL; INSTALL SEDIMENT BARRIERS AROUND STOCKPILES.
20. HAUL PIPE TO RIGHT-OF-WAY. BEND, PLACE ON SUPPORTS, ALIGN, AND WELD. INSTALL STREAM AND WETLAND CROSSING BMPS (TIMBER MATTING, TIMBER MAT BRIDGES), LAY PIPE IN DITCH. IMMEDIATELY AFTER INSTALLING CROSSING, RESTORE DISTURBED AREA AND INSTALL STREAMBANK STABILIZATION.
21. CLEAR, GRUB, AND CONSTRUCT STREAM AND WETLAND CROSSINGS IN ACCORDANCE WITH CHAPTER 105, SECTION 404, 401, AND RELATED PERMITS. INSTALL STREAM FLUMES, AND/OR DAM AND PUMP AS SPECIFIED IN CHAPTER 105 PERMIT DOCUMENTS FOR CROSSING OF STREAM AND WETLAND AREAS. CONTRACTOR SHALL PLACE PIPE, INSTALL TRENCH PLUGS, BACKFILL TRENCH, AND TEMPORARILY STABILIZE WITHIN 48 HOURS OF EXCAVATING TRENCH IN RESOURCE CROSSING LOCATIONS.
22. DIG TRENCH OUTSIDE OF RESOURCE CROSSINGS. CONTRACTOR SHALL PLACE PIPE, INSTALL TRENCH PLUGS, AND BACKFILL TRENCH WITHIN 30 DAYS OF EXCAVATING TRENCH.
23. PERFORM NON-DESTRUCTIVE TESTING (NDT) INSPECTION OF WELDS AND APPLY COATING TO WELD AREA.
24. INSTALL TRENCH PLUGS.
25. BACKFILL PIPE TRENCH, REPAIR PERMANENT WATERBARS, REMOVE TEMPORARY WATERBARS, RETURN TEMPORARILY GRADED AREAS TO PRE-DEVELOPMENT GRADE. REPAIR/INSTALL EROSION CONTROL BLANKET AS NEEDED, IMMEDIATELY SEED AND STABILIZE DISTURBED AREAS (SLOPES, DITCHES AND CHANNELS) AS THEY ARE RETURNED TO FINAL GRADE. REFER TO PLANTING PLANS AND RIPARIAN BUFFER PLANTINGS, AS APPLICABLE, IN THE BMP PLAN SET AND E&S NARRATIVE.
26. PERFORM HYDROSTATIC PRESSURE TEST OF PIPELINE.
27. DEWATER PIPELINE UTILIZING APPROPRIATE BMPS, COMPLETE FINAL TIE-INS, AND DRY PIPELINE.
28. AN AREA SHALL BE CONSIDERED TO HAVE ACHIEVED FINAL STABILIZATION WHEN IT HAS A MINIMUM UNIFORM 70% PERENNIAL VEGETATIVE COVER OR OTHER PERMANENT NON-VEGETATIVE COVER WITH A DENSITY SUFFICIENT TO RESIST ACCELERATED SURFACE EROSION AND SUBSURFACE CHARACTERISTICS SUFFICIENT TO RESIST SLIDING AND OTHER MOVEMENTS.
29. UPON COMPLETION OF ALL EARTH DISTURBANCE ACTIVITIES AND PERMANENT STABILIZATION OF ALL DISTURBED AREAS, THE PERMITTEE AND/OR OPERATORS SHALL CONTACT THE LOCAL CCD AND/OR PADEP FOR AN INSPECTION PRIOR TO THE REMOVAL OF THE E&SC BMPS. REMOVAL OF TEMPORARY WETLAND AND STREAM CROSSINGS, TEMPORARY BMPS INCLUDING SEDIMENT BARRIERS, TEMPORARY FILTER SOCK DIVERSION SWALES, TEMPORARY CLEAN WATER DIVERSION SWALES (AND ASSOCIATED GRADING), CLEAN WATER CROSSING OUTFALL PROTECTION AND LEVEL SPREADERS, ROCK FILTERS, AND TEMPORARY WATERBARS ALONG THE ALIGNMENT.
30. COMPLETE SITE RESTORATION AND STABILIZATION, INCLUDING SOIL AERATION, SOIL TREATMENT, SEED APPLICATION AND MULCHING IN AREAS DISTURBED BY E&SC BMP REMOVAL. INSTALL RIPARIAN BUFFER PLANTINGS PER THE RIPARIAN BUFFER PLANTING PLANS.
31. REMOVE AND PROPERLY DISPOSE OF/RECYCLE E&SC BMPS. REMOVE STAKES AND ORANGE CONSTRUCTION FENCE. REPAIR AND PERMANENTLY STABILIZE AREAS DISTURBED DURING E&SC BMP REMOVAL.

**MAINTENANCE PROGRAM**

THE FOLLOWING INSPECTION AND MAINTENANCE PRACTICES WILL BE USED TO MAINTAIN EROSION AND SEDIMENT CONTROLS AND STABILIZATION MEASURES. REFER TO BMP DETAILS FOR SPECIFIC OPERATION AND MAINTENANCE REQUIREMENTS.

1. ALL EROSION AND SEDIMENT CONTROL MEASURES WILL BE INSPECTED ONCE EVERY SEVEN DAYS AND AFTER EACH RUNOFF EVENT. A WRITTEN REPORT MUST ALSO BE COMPLETED DOCUMENTING EACH INSPECTION AND, IF NECESSARY, ANY REPAIR, REPLACEMENT OR MAINTENANCE ACTIVITY.
2. ALL MEASURES WILL BE MAINTAINED IN GOOD WORKING ORDER; IF REPAIRS OR ADDITIONAL MEASURES ARE FOUND TO BE NECESSARY, THEY WILL BE INITIATED WITHIN 24 HOURS OF THE INSPECTION REPORT.
3. BUILT UP SEDIMENT WILL BE REMOVED FROM PERIMETER BMPS WHEN IT HAS REACHED ONE-THIRD THE HEIGHT OF THE BMP.
4. PERIMETER BMPS WILL BE INSPECTED FOR DEPTH OF SEDIMENT, DAMAGE, ETC., TO ENSURE THE MEASURE IS IN PROPER WORKING ORDER, AND THAT ANY POSTS/WOOD STAKES ARE SECURELY IN THE GROUND.
5. TEMPORARY SEDIMENT TRAPS, IF PRESENT, WILL BE INSPECTED FOR DEPTH OF SEDIMENT, AND BUILT UP SEDIMENT WILL BE REMOVED WHEN IT REACHES THE DESIGN CLEANOUT DEPTH.
6. TEMPORARY AND PERMANENT SEEDING, AND OTHER STABILIZATION MEASURES, WILL BE INSPECTED FOR BARE SPOTS, WASHOUTS, AND HEALTHY GROWTH.
7. A MAINTENANCE INSPECTION REPORT WILL BE MADE AFTER EACH INSPECTION. COPIES OF THE REPORT FORMS TO BE COMPLETED BY THE INSPECTOR ARE INCLUDED IN THIS ESCP.
8. THE INSPECTOR WILL IMPLEMENT INSPECTION AND MAINTENANCE PRACTICES NECESSARY FOR KEEPING THE EROSION AND SEDIMENT CONTROLS THAT ARE USED ON THE SITE IN GOOD WORKING ORDER. THE INSPECTOR WILL ALSO BE TRAINED IN THE COMPLETION OF, INITIATION OF ACTIONS REQUIRED BY, AND THE FILING OF THE INSPECTION FORMS.
9. DISTURBED AREAS AND MATERIALS STORAGE AREAS WILL BE INSPECTED FOR EVIDENCE OF OR POTENTIAL FOR POLLUTANTS ENTERING THE STORMWATER.

A COPY OF THE APPROVED EROSION AND SEDIMENT CONTROL PLAN(S) WILL BE AVAILABLE ON THE SITE AT ALL TIMES.

ONCE ANY EROSION CONTROL MEASURES ARE INSTALLED, THE MAINTENANCE AND INSPECTION PROCEDURES ABOVE SHALL BEGIN. THE CONTRACTOR SHOULD BE AWARE THAT THE INSPECTION FORMS BECOME AN INTEGRAL PART OF THE ESCP AND SHALL BE MADE READILY AVAILABLE TO THE GOVERNMENT INSPECTION OFFICIALS, THE PROJECT OWNER'S ENGINEER, AND THE PROJECT OWNER FOR REVIEW UPON REQUEST DURING VISITS TO THE PROJECT SITE.

INSPECTORS SHOULD BE KNOWLEDGEABLE IN THE PRINCIPLES AND PRACTICE OF EROSION AND SEDIMENT CONTROLS AND POSSESS THE SKILLS TO ASSESS CONDITIONS AT THE CONSTRUCTION SITE THAT COULD IMPACT STORMWATER QUALITY AND TO ASSESS THE EFFECTIVENESS OF ANY SEDIMENT AND EROSION CONTROL MEASURES SELECTED TO CONTROL THE QUALITY OF STORMWATER DISCHARGES FROM THE CONSTRUCTION SITE. THEY SHOULD ALSO HAVE READ AND UNDERSTOOD ALL PORTIONS OF THIS ESCP, INCLUDING THE ESCGP-2.

THE INDIVIDUAL(S) RESPONSIBLE FOR POST-STORM AND STORM EVENT BMP INSPECTIONS, AND THE QUALIFIED PERSON(S) ASSIGNED RESPONSIBILITY TO ENSURE FULL COMPLIANCE WITH THE PERMIT AND IMPLEMENTATION OF ALL ELEMENTS OF THE ESCP, INCLUDING THE PREPARATION OF THE ANNUAL COMPLIANCE EVALUATION AND THE ELIMINATION OF ALL UNAUTHORIZED DISCHARGES ARE:

NAME: \_\_\_\_\_  
 PHONE NUMBER: \_\_\_\_\_ EMERGENCY PHONE #: \_\_\_\_\_  
 COMPANY: \_\_\_\_\_  
 RESPONSIBILITIES: \_\_\_\_\_  
 NAME: \_\_\_\_\_  
 PHONE NUMBER: \_\_\_\_\_ EMERGENCY PHONE #: \_\_\_\_\_  
 COMPANY: \_\_\_\_\_  
 RESPONSIBILITIES: \_\_\_\_\_

**TEMPORARY AND PERMANENT STABILIZATION**

**1. TEMPORARY STABILIZATION**

TEMPORARY SEEDING WITH STRAW MULCH COVER FOR INTERIM STABILIZATION IS A TYPE OF BMP THAT CAN USUALLY BE PROVIDED WHERE THE EARTH DISTURBANCE ACTIVITY TEMPORARILY CEASES (I.E. 4 DAYS OR MORE) UNLESS DIRECTED BY THE PROJECT OWNER, PADEP, OR CONSERVATION DISTRICT.

THE INSTALLATION OF AN EROSION CONTROL BLANKET OR APPLICATION OF STRAW MULCH UPON SEEDED AREAS ARE BOTH CONSIDERED TO BE PERMANENT STABILIZATION BMPS TO PROTECT THE SEEDED UNTIL VEGETATION IS ESTABLISHED.

**2. PERMANENT STABILIZATION**

UPON COMPLETION OF ANY EARTH DISTURBANCE ACTIVITY, THE SITE SHALL BE IMMEDIATELY SEEDED, MULCHED, OR OTHERWISE PROTECTED FROM ACCELERATED EROSION AND SEDIMENTATION.

EROSION & SEDIMENTATION CONTROLS SHALL BE LEFT IN PLACE UNTIL SUCH TIME AS THE DISTURBED AREAS HAVE PERMANENT STABILIZATION. AN AREA SHALL BE CONSIDERED TO HAVE ACHIEVED FINAL STABILIZATION WHEN IT HAS A MINIMUM UNIFORM 70% PERENNIAL VEGETATIVE COVER OR OTHER PERMANENT NON-VEGETATIVE COVER WITH A DENSITY SUFFICIENT TO RESIST ACCELERATED SURFACE EROSION AND SUBSURFACE CHARACTERISTICS SUFFICIENT TO RESIST SLIDING AND OTHER MOVEMENTS.

**3. STABILIZATION DURING NON-GROWING SEASONS**

WHEN UTILITY CONSTRUCTION MUST BE DONE AND IS COMPLETED DURING A NON-GROWING SEASON, INTERIM STABILIZATION BMPS MUST BE IMPLEMENTED AND ADEQUATELY MAINTAINED. THE APPLICATION OF STRAW MULCH AT THE RATE OF 3.0 TONS PER ACRE IS REQUIRED. THE BMPS SHOULD BE INSPECTED WEEKLY (UNLESS SNOW COVERED) AND AFTER EACH RUNOFF EVENT TO IDENTIFY AREAS THAT BECAME BARE.

BARE AREAS SHOULD BE COVERED WITH A PROPERLY INSTALLED EROSION CONTROL BLANKET. ALL TEMPORARY EROSION AND SEDIMENT POLLUTION CONTROLS MUST BE MAINTAINED UNTIL PERMANENT VEGETATION IS ESTABLISHED.

**4. WHERE REQUIRED, STRAW MULCH MUST BE APPLIED AT A MINIMUM OF 3.0 TONS PER ACRE.**

**5. STRAW MULCH SHALL BE APPLIED IN LONG STRANDS, NOT FINELY CHOPPED OR BROKEN.**

**6. PRIOR TO ANY SEEDING, LIME, OR FERTILIZATION APPLICATION, A SOIL TEST SHALL BE PERFORMED TO DETERMINE THE pH FACTOR. ADDITIONAL LIME AND FERTILIZER MAY BE REQUIRED. NO LIME OR FERTILIZERS SHALL BE USED IN WETLAND AREAS.**

**7. LIME, FERTILIZE, SEED, AND MULCH DISTURBED AREAS PER THE EROSION AND SEDIMENT CONTROL PLANS. IN AREAS OF STEEP SLOPES OR OBVIOUS AREAS WHERE POTENTIAL EROSION MAY OCCUR, AND EROSION CONTROL MAT OR FLEXIBLE GROWTH MEDIUM (FGM) SHALL BE USED. FGM SHALL BE APPLIED PER MANUFACTURER SPECIFICATIONS. NO LIME OR FERTILIZERS SHALL BE USED IN WETLAND OR STREAM AREAS.**

**8. WATERBARS WITHIN AGRICULTURAL OR RESIDENTIAL AREAS SHALL BE USED AS TEMPORARY FEATURES. WATERBARS MAY BE REMOVED WHEN THE TRIBUTARY DRAINAGE AREA IS AT LEAST 70% STABILIZED WITH PERENNIAL VEGETATION AS PER PA CHAPTER 102.22.**

**PIPELINE WORK SEQUENCE IN WETLANDS**

FOR WORK IN WETLANDS, THE FOLLOWING STEPS SHALL BE INSERTED IN THE GENERAL PIPELINE CONSTRUCTION SEQUENCE ABOVE:

**1. INSTALL ORANGE FLAGGING AROUND PERIMETER OF WETLAND AND SEDIMENT BARRIERS ALONG THE LIMITS OF DISTURBANCE.**

**2. LOCATE STAGING AREAS AT LEAST 50 FEET FROM THE EDGE OF THE WETLAND.**

**3. INSTALL SEDIMENT BARRIERS DOWN SLOPE OF THESE AREAS.**

**4. INSTALL CONSTRUCTION ENTRANCE AS SHOWN ON THE PLANS.**

**5. MATS, PADS, OR SIMILAR DEVICES SHALL BE USED DURING THE CROSSINGS OF WETLANDS. ORIGINAL GRADES THROUGH WETLANDS MUST BE RESTORED AFTER TRENCHING AND BACKFILLING. ANY EXCESS FILL MATERIALS MUST BE REMOVED FROM THE WETLAND AND NOT SPREAD ON-SITE.**

**6. SOIL EXCAVATED FROM WETLAND AREAS SHALL BE CAREFULLY REMOVED WITH THE ROOTS INTACT. THIS SOIL SHOULD BE PLACED IN A SEPARATE STOCKPILE TO BE REUSED DURING THE WETLAND SURFACE RESTITUTION.**

**7. DEWATER WORK AREA; WATER FROM THE EXCAVATION SHALL BE PUMPED TO A SEDIMENT TRAP OR A FILTER BAG.**

**8. INSTALL PIPE.**

**9. INSTALL TRENCH PLUGS IN WETLAND AREAS PER THE E&S PLAN TO PREVENT THE TRENCH FROM DRAINING THE WETLAND OR CHANGING ITS MICROHYDROLOGY.**

**10. BACKFILL PIPE TRENCH. BACKFILL THE TOP 12-INCHES OF THE EXCAVATED TRENCH WITH THE STOCKPILED WETLAND SOIL TO MATCH ORIGINAL SURFACE GRADES.**

**PIPELINE WORK SEQUENCE AT STREAM CROSSINGS**

FOR STREAM CROSSINGS, THE FOLLOWING STEPS SHALL BE INSERTED IN THE GENERAL PIPELINE CONSTRUCTION SEQUENCE ABOVE:

**1. AFTER INSTALLATION OF SEDIMENTATION BMPS, INSTALL BYPASS HOSE, PUMP, OR COFFERDAM AS DESCRIBED IN STREAM CROSSING DETAILS AROUND THE WORK AREA.**

**2. DEWATER WORK AREA. WATER FROM THE EXCAVATION SHALL BE PUMPED TO A SEDIMENT FILTER BAG. WHERE POSSIBLE, EXCAVATION SHALL BE FROM THE TOP OF THE STREAM BANK.**

**3. STABILIZE CHANNEL EXCAVATION AND STREAM BANKS PRIOR TO REDIRECTING STREAM FLOW WITHIN 24 HOURS OF CROSSING BEING DONE FOR ALL STREAMS SMALLER THAN 10 FEET AND 48 HOURS FOR STREAMS LARGER THAN 10 FEET WIDE.**

**4. REMOVE BYPASS HOSE, PUMP, AND TEMPORARY DAM AS NEEDED.**

**ACCESS ROAD BMP INSTALLATION SEQUENCE**

REFER TO SPECIFIC ACCESS ROAD CONSTRUCTION SEQUENCE NOTES INCLUDED IN THE ACCESS ROAD E&S PLAN SETS UNDER SEPARATE COVER.

**ACID-PRODUCING SOILS AND BEDROCK CONTROL PLAN**

THE FOLLOWING ACID PRODUCING SOILS CONTROL PLAN WAS DEVELOPED TO IDENTIFY BMPS AND PROCEDURES FOR MINIMIZING THE POTENTIAL FOR POLLUTION ASSOCIATED WITH THE DISTURBANCE OF THE AREAS WITHIN THE PROPOSED RIGHT-OF-WAY THAT CONTAIN ACID-PRODUCING SOILS WITH A pH LESS THAN 4.0.

ACID-PRODUCING SOILS AND BEDROCK CONTROL PLAN:

1. CONTRACTOR SHALL LIMIT THE EXCAVATION AREA AND EXPOSURE TIME WHEN HIGH ACID-PRODUCING SOILS ARE ENCOUNTERED. LOCATIONS WHERE ACIDIC SOILS ARE ANTICIPATED TO BE PRESENT ALONG THE PIPELINE CORRIDOR ARE PROVIDED IN THE COUNTY-SPECIFIC TABLE INCLUDED AT THE END OF THIS PLAN SET.
2. CONTRACTOR SHALL SEPARATELY STORE TOPSOIL STRIPPED FROM THE SITE AWAY FROM TEMPORARILY STOCKPILED HIGH ACID-PRODUCING SOILS AND BEDROCK.S.
3. CONTRACTOR SHALL STOCKPILE HIGH ACID-PRODUCING SOILS AND BEDROCK MATERIAL ON LEVEL GROUND TO MINIMIZE ITS MOVEMENT, ESPECIALLY WHEN THESE MATERIALS HAVE A HIGH CLAY CONTENT.

4. CONTRACTOR SHALL COVER TEMPORARILY STOCKPILED HIGH ACID-PRODUCING SOIL AND BEDROCK MATERIAL TO BE EXPOSED MORE THAN 7 DAYS WITH PROPERLY ANCHORED, HEAVY-GRATE SHEETS OF POLYETHYLENE, WHERE POSSIBLE. IF NOT POSSIBLE, STOCKPILES SHALL BE COVERED WITH A MINIMUM OF THREE TO SIX INCHES OF WOOD CHIPS TO MINIMIZE EROSION OF THE STOCKPILE. IN ADDITION, THE CONTRACTOR SHALL INSTALL SILT FENCE AT THE TOE OF THE STOCKPILE SLOPE TO CONTAIN MOVEMENT OF MATERIAL. CONTRACTOR SHALL NOT APPLY TOPSOIL TO THE HIGH ACID-PRODUCING SOIL OR BEDROCK STOCKPILES TO PREVENT TOPSOIL CONTAMINATION.

5. CONTRACTOR SHALL ULTIMATELY DISPOSE OF HIGH ACID-PRODUCING SOILS OR BEDROCK WITH A pH OF FOUR OR LESS, OR CONTAINING IRON SULFIDE (INCLUDING BORROW FROM CUTS) BY PLACING THE MATERIAL COMBINED WITH LIMESTONE AT THE RATE OF 6 TONS PER ACRE (OR 275 POUNDS PER 1,000 SQUARE FEET OF SURFACE AREA) AND COVERING THE MIXTURE WITH A MINIMUM OF 12 INCHES OF SETTLED SOILS WITH A PH OF FIVE OR MORE EXCEPT AS FOLLOWS:

- A. IN THE AREAS WHERE TREES OR SHRUBS ARE TO BE PLANTED, THE CONTRACTOR SHALL COVER THE LIMESTONE/SOIL MIXTURE WITH A MINIMUM OF 24 INCHES OF SOILS WITH A PH OF FIVE OR MORE.
- B. CONTRACTOR SHALL NOT LOCATE ANY DISPOSAL AREA WITHIN 24 INCHES OF ANY SURFACE OF A SLOPE OR BANK, SUCH AS BERMS, STREAM BANKS, DITCHES, AND OTHER SURFACE WATERS TO PREVENT POTENTIAL LATERAL LEACHING DAMAGES.

6. AT THE END OF EACH DAY, CONTRACTOR SHALL CLEAN ALL EQUIPMENT USED TO HANDLE HIGH ACID-PRODUCING SOILS OR BEDROCK TO PREVENT SPREADING OF HIGH-ACID MATERIALS TO OTHER PARTS OF THE PROPOSED RIGHT-OF-WAY, INTO STREAMS, OR STORMWATER CONVEYANCES, AND TO PROTECT MACHINERY FROM ACCELERATED CORROSION.

7. CONTRACTOR SHALL PROVIDE AND INSTALL NON-VEGETATIVE EROSION CONTROLS (STONE TRACKING PADS, STRATEGICALLY-PLACE LIMESTONE CHECK DAMS, SILT FENCES, WOOD CHIPS) TO LIMIT THE MOVEMENT OF HIGH ACID-PRODUCING SOILS FROM, AROUND, OR OFF OF THE PROPOSED RIGHT-OF-WAY.


8. FOLLOWING THE BURIAL OR REMOVAL OF HIGH ACID-PRODUCING SOILS AND BEDROCK, TOP SOILING, AND SEEDING OF THE PROPOSED RIGHT-OF-WAY, TRANSCO SHALL MONITOR THE SITE FOR APPROXIMATELY SIX TO 12 MONTHS TO ASSURE THERE IS ADEQUATE STABILIZATION AND THAT NO HIGH-ACID SOIL OR BEDROCK PROBLEMS EMERGE. CONTRACTOR SHALL CORRECT ANY PROBLEMS THAT ARE DISCOVERED WITHIN THIS TIME PERIOD.

9. IF PROBLEMS OCCUR WHERE HIGH ACID-PRODUCING SOILS OR BEDROCK HAVE BEEN PLACED OR BURIED, THE APPLICANT SHALL MONITOR THESE AREAS FOR AT LEAST TWO YEARS TO ASSURE THERE IS NO MIGRATION OF POTENTIAL ACID LEACHATE.

Drawn By & Date/Time: cmarstrano Nov 13, 2016 1:07pm  
 Drawing Location & Name: G:\OBS1\4\14C\14C4909\DWG\BMPs&DETAILS\PL\_DNT14c4909(02)\_NOTES-02-03.dwg

REVISIONS						
NO.	DATE	BY	DESCRIPTION	W.O. NO.	CHK.	APP.
0	08/26/2015	BL	ISSUED FOR PADEP SUBMITTAL	W0572385	JLK	SMK
1	12/02/2015	BL	ISSUED FOR PADEP RESUBMITTAL	W0572385	JLK	SMK
2	Oct. 2016	BL	PADEP TECHNICAL DEFICIENCY RESPONSE #1	W0572385	JLK	SMK

TRANSCONTINENTAL GAS PIPE LINE COMPANY, LLC			
ATLANTIC SUNRISE PROJECT			
PENNSYLVANIA BEST MANAGEMENT PRACTICES AND QUANTITIES PLAN SET			
			
GENERAL NOTES			
DRAWN BY:	ELZ	DATE:	05/15/15
CHECKED BY:	JLK	DATE:	07/02/15
APPROVED BY:	SMK	DATE:	07/08/15
ISSUED FOR:	CONSTRUCTION	SCALE:	
DRAWING NUMBER:	ASR-BMP-GN	REVISION:	2
SHEET	2	OF	3



SUZANNE KING REG. NO. PE 082757  
 ARCHITECTURE  
 ENGINEERING  
 ENVIRONMENTAL  
 LAND SURVEYING  
 COMPANIES

RIP RAP GRADATION, FILTER BLANKET, & MAXIMUM VELOCITIES

Riprap Gradation, Filter Blanket Requirements, Maximum Velocities						
Percent Passing (Square Openings)						
Class, Size NO.	R-8	R-7	R-6	R-5	R-4	R-3
42	100					
30		100				
24	15-50		100			
18		15-50		100		
15	0-15					
12		0-15	15-50		100	
9				15-50		
6		0-15		15-50	100	
4				0-15		
3					0-15	15-50
2						0-15
Nominal Placement Thickness (inches)	63	45	36	27	18	9
Filter Stone <sup>1</sup> V <sub>max</sub> (ft/sec)	AASHTO #1	AASHTO #1	AASHTO #1	AASHTO #3	AASHTO #3	AASHTO #57
	17.0	14.5	13.0	11.5	9.0	6.5

Adapted from PennDOT Pub. 408, Section 703.2(c), Table C  
ADAPTED FROM PENNDOT PUB. 408, SECTION 703.2 (c), TABLE C.

1. THIS IS A GENERAL STANDARD. SOIL CONDITIONS AT EACH SITE SHOULD BE ANALYZED TO DETERMINE ACTUAL FILTER SIZE. A SUITABLE WOVEN OR NON-WOVEN GEOTEXTILE UNDERLAYMENT, USED ACCORDING TO THE MANUFACTURER'S RECOMMENDATIONS, MAY BE SUBSTITUTED FOR THE FILTER STONE FOR GRADIENTS < 10%.

LIMING AND FERTILIZER RATES

Soil Amendment	Permanent Seeding Application Rate			Notes
	Per Acre	Per 1,000 sq. ft.	Per 1,000 sq. yd.	
Agricultural lime	6 tons	240 lb.	2,480 lb.	Or as per soil test; may not be required in agricultural fields
10-10-20 fertilizer	1,000 lb.	25 lb.	210 lb.	Or as per soil test; may not be required in agricultural fields
Temporary Seeding Application Rate				
Agricultural lime	1 ton	40 lb.	410 lb.	Typically not required for topsoil stockpiles
10-10-10 fertilizer	500 lb.	12.5 lb.	100 lb.	Typically not required for topsoil stockpiles

PA DEP TABLE 11.2  
1. NO LIME AND/OR FERTILIZER MAY BE APPLIED IN WETLANDS.

SLOPE SEED MIX

Common Name	Scientific Name	# PLS/acre	PLS/sq ft	% of Mix
Big Bluestem	<i>Andropogon gerardii</i>	2	6	10
Little Bluestem	<i>Schizachyrium scoparium</i>	1	6	10
Switchgrass	<i>Panicum virgatum</i>	1.3	12	20
Timothy	<i>Phleum pratense</i>	0.4	12	20
Virginia Wildrye	<i>Elymus virginicus</i>	4.4	7.5	13
Deertongue	<i>Dichanthelium clandestinum</i>	0.7	6	10
Blackeyed Susan	<i>Rudbeckia hirta</i>	0.1	3	5
White Clover	<i>Trifolium repens</i>	0.2	3	5
Oxeye Sunflower	<i>Helopsis helianthoides</i>	0.6	1.5	3
Partridge Pea	<i>Chamaecrista fasciculata</i>	1.1	1.5	3
Purple Coneflower	<i>Echinacea purpurea</i>	0.6	1.5	3
Total	--	12.3	60	100

NOTES:  
1. PLS IS ROUNDED TO THE NEAREST TENTH OF A POUND.  
2. PLS = PURE LIVE SEED

ROW SEED MIX

Common Name	Scientific Name	# PLS/acre <sup>1</sup>	PLS/sq ft	% of Mix
Red Top	<i>Agrostis gigantea</i>	0.1	12.0	20
Timothy	<i>Phleum pratense</i>	0.4	12.0	20
Tall Fescue	<i>Festuca arundinacea</i>	1.7	9.0	15
Annual Ryegrass	<i>Lolium perenne multiflorum</i>	1.7	9.0	15
Italian Ryegrass	<i>Festulium</i>	1.7	9.0	15
Alsike Clover	<i>Trifolium hybridum</i>	0.2	3.0	5
White Clover	<i>Trifolium repens</i>	0.2	3.0	5
Ladino White Clover	<i>Trifolium repens latum</i>	0.2	3.0	5
Total	--	6.2	60.0	100

NOTES:  
1. PLS IS ROUNDED TO THE NEAREST TENTH OF A POUND.  
2. PLS = PURE LIVE SEED

COVER CROP SEED MIXES

Common Name	Crop Type	# PLS/acre	PLS/sq ft	% of Mix
Warm Season				
Pearl Millet	Grass	6.9	12.6	70
Sunn Hemp	Legume	10.5	3.6	20
Nitro Radishes	Brassicaceae	3.1	1.8	10
Total	--	20.5	18	100
Cool Season				
Annual Ryegrass	Grass	8	35.1	65
Red Clover	Legume	3.2	13.5	25
Nitro Radishes	Brassicaceae	9.4	5.4	10
Total	--	20.6	54	100

NOTES:  
1. PLS IS ROUNDED TO THE NEAREST TENTH OF A POUND.  
2. PLS = PURE LIVE SEED

TEMPORARY SEED MIXTURE

TEMPORARY SEEDING SHALL CONSIST OF ANNUAL RYEGRASS (100 PERCENT BY WEIGHT), OR EQUIVALENT, AND SHALL BE PLACED AT THE RATE OF 5 POUNDS PER 1,000 SQUARE YARDS. TEMPORARY SEEDING SHALL BE APPLIED TO THOSE AREAS THAT ARE A POTENTIAL EROSION PROBLEM DURING CONSTRUCTION AND TO THOSE AREAS EXPOSED FOR LONGER THAN 90 CALENDAR DAYS. IF CONDITIONS DO NOT PERMIT TEMPORARY SEEDING, MULCHING SHALL BE EMPLOYED. ADDITIONALLY, NITROGEN FERTILIZER (50-50-50) @ ONE (1) TON PER ACRE, AGRICULTURAL LIME @ ONE (1) TON PER ACRE, AND STRAW MULCH @ THREE (3) TONS PER ACRE. STRAW MULCH SHALL BE APPLIED IN LONG STRANDS, NOT CHOPPED OR FINELY BROKEN.

SPECIES TYPE AND SEASON OF PLANTING

Species Type and Season of Planting Cover Crops <sup>1</sup>	
Cool Season - Spring	March 1 to June 1
Warm Season	June 1 to August 15
Cool Season - Fall	August 15 - October 15
Permanent Crop <sup>2</sup>	
Spring	April 20 to June 15
Late Fall (dormant)	October 10 - March 1

NOTES:  
1. SEEDING DATES FOR COVER CROPS ARE BASED ON DATES REFERENCED BY CLARK, \_\_\_\_\_.  
2. SEEDING DATES FOR PERMANENT CROPS ARE BASED ON DATES REFERENCED BY LANDSHOOT, 1997 AND DELONG AND BRITTINGHAM, 2002.

SEED AFTER OCTOBER 10 WHEN GROUND TEMPERATURES AT A DEPTH OF 4 INCHES ARE AT F OR LOWER AND COOLER AIR TEMPERATURES ARE FORECASTED.

DORMANT SEEDING CAN OCCUR UNTIL SOIL IS FROZEN AND ADEQUATE PENETRATION OF THE DRILL SEEDER DOES NOT OCCUR.

PERMANENT SEED MIXTURES COOL & WARM SEASON GRASSES

HAYFIELDS

Common Name	Scientific Name	# PLS/acre	PLS/sq ft	% of Mix
Orchardgrass	<i>Dactylis glomerata</i>	4.0	60.0	40
Timothy	<i>Phleum pratense</i>	2.0	60.0	40
Ladino White Clover	<i>Trifolium repens latum</i>	0.8	15.0	10
Red Clover	<i>Trifolium pratense</i>	2.4	15.0	10
Total	--	9.2	150.0	100

PASTURES

Common Name	Scientific Name	# PLS/acre	PLS/sq ft	% of Mix
Timothy	<i>Phleum pratense</i>	0.5	15.0	25%
Perennial Ryegrass	<i>Lolium perenne</i>	2.3	12.0	20%
Red Top	<i>Agrostis gigantea</i>	0.1	9.0	15%
Italian Ryegrass	<i>Festulolium</i>	1.7	9.0	15%
Alsike Clover	<i>Trifolium hybridum</i>	0.6	9.0	15%
Ladino White Clover	<i>Trifolium repens latum</i>	0.3	6.0	10%
Total	--	5.5	60.0	100%

SLOPING/FORESTED LAND

Common Name	Scientific Name	# PLS/acre	PLS/sq ft	% of Mix
Sideoats Grama	<i>Bouteloua curtipendula</i>	1.4	6.0	10%
Little Bluestem	<i>Schizachyrium scoparium</i>	1.0	6.0	10%
Switchgrass	<i>Panicum virgatum</i>	1.3	12.0	20%
Timothy	<i>Phleum pratense</i>	0.4	12.0	20%
Virginia Wildrye	<i>Elymus virginicus</i>	4.24	7.2	12%
Deertongue	<i>Dichanthelium clandestinum</i>	0.7	6.0	10%
Blackeyed Susan	<i>Rudbeckia hirta</i>	0.1	2.4	4%
White Clover	<i>Trifolium repens</i>	0.1	2.4	4%
Oxeye Sunflower	<i>Helopsis helianthoides</i>	0.8	1.8	3%
Partridge Pea	<i>Chamaecrista fasciculata</i>	1.7	2.4	4%
Purple Coneflower	<i>Echinacea purpurea</i>	0.7	1.8	3%
Total	--	12.3	60.0	100%

DROUGHT/ROCKY SITES

Common Name	Scientific Name	# PLS/acre	PLS/sq ft	% of Mix
Little Bluestem	<i>Schizachyrium scoparium</i>	1.5	9.0	15%
Timothy	<i>Phleum pratense</i>	0.3	9.0	15%
Prairie Junegrass	<i>Koeleria macrantha</i>	0.1	6.0	10%
Deertongue	<i>Dichanthelium clandestinum</i>	1.0	9.0	15%
Sideoats Grama	<i>Bouteloua curtipendula</i>	2.7	12.0	20%
Virginia Wildrye	<i>Elymus virginicus</i>	3.5	6.0	10%
Partridge Pea	<i>Chamaecrista fasciculata</i>	2.1	3.0	5%
Ladino White Clover	<i>Trifolium repens latum</i>	0.2	3.0	5%
Lanceleaf Coreopsis	<i>Coreopsis lanceolata</i>	0.6	3.0	5%
Total	--	12.0	60.0	100%

NON-AGRICULTURAL MEADOWS

Common Name	Scientific Name	# PLS/acre	PLS/sq ft	% of Mix
Virginia Wildrye	<i>Elymus virginicus</i>	5.3	9.0	15%
Little Bluestem	<i>Schizachyrium scoparium</i>	1.5	9.0	15%
Sideoats Grama	<i>Bouteloua curtipendula</i>	2.1	9.0	15%
Deertongue	<i>Dichanthelium clandestinum</i>	1.0	9.0	15%
Partridge Pea	<i>Chamaecrista fasciculata</i>	4.2	6.0	10%
Oxeye Sunflower	<i>Helopsis helianthoides</i>	1.3	3.0	5%
Butterfly Milkweed	<i>Asclepias tuberosa</i>	5.2	6.0	10%
Total	--	21.8	60.0	100%

NATIVE NON-NATIVE FOOD PLOT MIX

Common Name	Scientific Name	# PLS/acre	PLS/sq ft	% of Mix
Timothy	<i>Phleum pratense</i>	0.4	12.0	20%
Upland Bent Grass	<i>Agrostis perennans</i>	0.1	9.0	15%
Virginia Wildrye	<i>Elymus virginicus</i>	5.3	9.0	15%
White Clover	<i>Trifolium repens</i>	0.5	9.0	15%
Ladino White Clover	<i>Trifolium repens latum</i>	0.7	12.0	20%
Crimson Clover	<i>Trifolium incarnatum</i>	3.5	9.0	15%
Total	--	10.4	60.0	100%

POLLINATOR MIX (TO BE ADDED TO ANY MIX UPON LANDOWNER REQUEST)

Common Name	Scientific Name	# PLS/acre	PLS/sq ft	% of Mix
Butterfly Milkweed	<i>Asclepias tuberosa</i>	2.6	3.0	15%
Purple Coneflower	<i>Echinacea purpurea</i>	1.1	3.0	15%
Dense Blazing Star	<i>Liatris spicata</i>	0.7	2.0	10%
Lanceleaf Coreopsis	<i>Coreopsis lanceolata</i>	0.4	2.0	10%
Blackeyed Susan	<i>Rudbeckia hirta</i>	0.1	3.0	15%
Oxeye Sunflower	<i>Helopsis</i>	1.3	3.0	15%
Wild Bergamot	<i>Monarda fistulosa</i>	0.1	2.0	10%
Hoary Mountainmint	<i>Pycnanthemum</i>	0.0	2.0	10%
Total	--	6.3	20.0	100%

BRASSICA MIX

Common Name	Scientific Name	# PLS/acre	PLS/sq ft	% of Mix
Bonar (Rape)	<i>Brassica napus</i>	2.7	6.6	33%
Turnip	<i>Brassica rapa</i>	12.9	6.6	33%
Nitro Radish	<i>Raphanus</i>	11.8	6.8	34%
Total	--	27.4	20.0	100%

MULCH

- MULCHES SHOULD BE APPLIED AT THE RATES SHOWN IN TABLE 11.6
- STRAW AND HAY MULCH SHOULD BE ANCHORED OR TACKIFIED IMMEDIATELY AFTER APPLICATION TO PREVENT BEING WINDBLOWN. A TRACTOR-DRAWN IMPLEMENT MAY BE USED TO "CRIMP" THE STRAW OR HAY INTO THE SOIL - ABOUT 3 INCHES. THIS METHOD SHOULD BE LIMITED TO SLOPES NO STEEPER THAN 3H:1V. THE MACHINERY SHOULD BE OPERATED ON THE CONTOUR. CRIMPING OF HAY OR STRAW BY RUNNING OVER IT WITH TRACKED MACHINERY IS NOT RECOMMENDED.
- POLYMERIC AND GUM TACKIFIERS MIXED AND APPLIED ACCORDING TO MANUFACTURER'S RECOMMENDATIONS MAY BE USED TO TACK MULCH. AVOID APPLICATION DURING RAIN AND ON WINDY DAYS. A 24-HOUR CURING PERIOD AND A SOIL TEMPERATURE HIGHER THAN 45°F ARE TYPICALLY REQUIRED. APPLICATION SHOULD GENERALLY BE HEAVIEST AT EDGES OF SEEDED AREAS AND AT CRESTS OF RIDGES AND BANKS TO PREVENT LOSS BY WIND. THE REMAINDER OF THE AREA SHOULD HAVE BINDER APPLIED UNIFORMLY. BINDERS MAY BE APPLIED AFTER MULCH IS SPREAD OR SPRAYED INTO THE MULCH AS IT IS BEING BLOWN ONTO THE SOIL. APPLYING STRAW AND BINDER TOGETHER IS GENERALLY MORE EFFECTIVE.
- SYNTHETIC BINDERS, OR CHEMICAL BINDERS, MAY BE USED AS RECOMMENDED BY THE MANUFACTURER TO ANCHOR MULCH PROVIDED SUFFICIENT DOCUMENTATION IS PROVIDED TO SHOW THEY ARE NON-TOXIC TO NATIVE PLANT AND ANIMAL SPECIES.
- MULCH ON SLOPES 8% OR STEEPER SHOULD BE HELD IN PLACE WITH NETTING. LIGHTWEIGHT PLASTIC, FIBER, OR PAPER NETS MAY BE STAPLED OVER THE MULCH ACCORDING TO MANUFACTURER'S RECOMMENDATIONS.
- SHREDDED PAPER HYDROMULCH SHOULD NOT BE USED ON SLOPES STEEPER THAN 5% WOOD FIBER HYDROMULCH MAY BE APPLIED ON STEEPER SLOPES PROVIDED A TACKIFIER IS USED. THE APPLICATION RATE FOR ANY HYDROMULCH SHOULD BE 2,000 LB/ACRE AT A MINIMUM.
- HYDRAULICALLY APPLIED BLANKETS CAN BE AN EFFECTIVE METHOD OF STABILIZING STEEP SLOPES WHEN USED PROPERLY. THEY MAKE USE OF A CROSS-LINKED HYDROCOLLOID TACKIFIER TO BOND THERMALLY PROCESSED WOOD FIBERS. APPLICATION RATES VARY ACCORDING TO SITE CONDITIONS. IN ANY CASE, MANUFACTURER'S RECOMMENDATIONS SHOULD BE FOLLOWED. SHOULD NOT BE USED IN AREAS OF CONCENTRATED FLOW (E.G. SWALES).
- NO MULCH MAY BE APPLIED IN WETLANDS.

TABLE 11.6 MULCH APPLICATION RATES				
MULCH TYPE	APPLICATION RATE (MIN.)			NOTES
	PER ACRE	PER 1,000 SQ. FT.	PER 1,000 SQ. YD.	
STRAW	3 TONS	140 LB.	1,240 LB.	EITHER WHEAT OR OAT STRAW, FREE OF WEEDS, NOT CHOPPED OR FINELY BROKEN
WOOD CHIPS	4-6 TONS	185-275 LB.	1,650-2,500 LB.	MAY PREVENT GERMINATION OF GRASSES AND LEGUMES
HYDRO- MULCH	1 TON	47 LB.	415 LB.	SEE LIMITATIONS ABOVE
HYDRAULICALLY APPLIED BLANKETS	3,000 LB.	N/A	N/A	SLOPES UP TO 3H:1V
	4,000 LB.	N/A	N/A	SLOPES STEEPER THAN 3H:1V

OPERATIONS AND MAINTENANCE PROGRAM PERMANENT STORMWATER FACILITIES

THE PERMIT APPLICANT SHALL BE RESPONSIBLE FOR THE MAINTENANCE OF PERMANENT STORMWATER FACILITIES LOCATED ON THE SUBJECT PROPERTIES. PERMANENT MAINTENANCE OF THE STORM SYSTEM AFTER ACCEPTANCE WILL PRIMARILY CONSIST OF ROUTINE CLEANING OF ACCUMULATED SEDIMENT AND DEBRIS BY FACILITY STAFF OR PRIVATE CONTRACTORS. THE SPECIFIC MAINTENANCE STEPS AND SCHEDULE ARE LISTED BELOW.

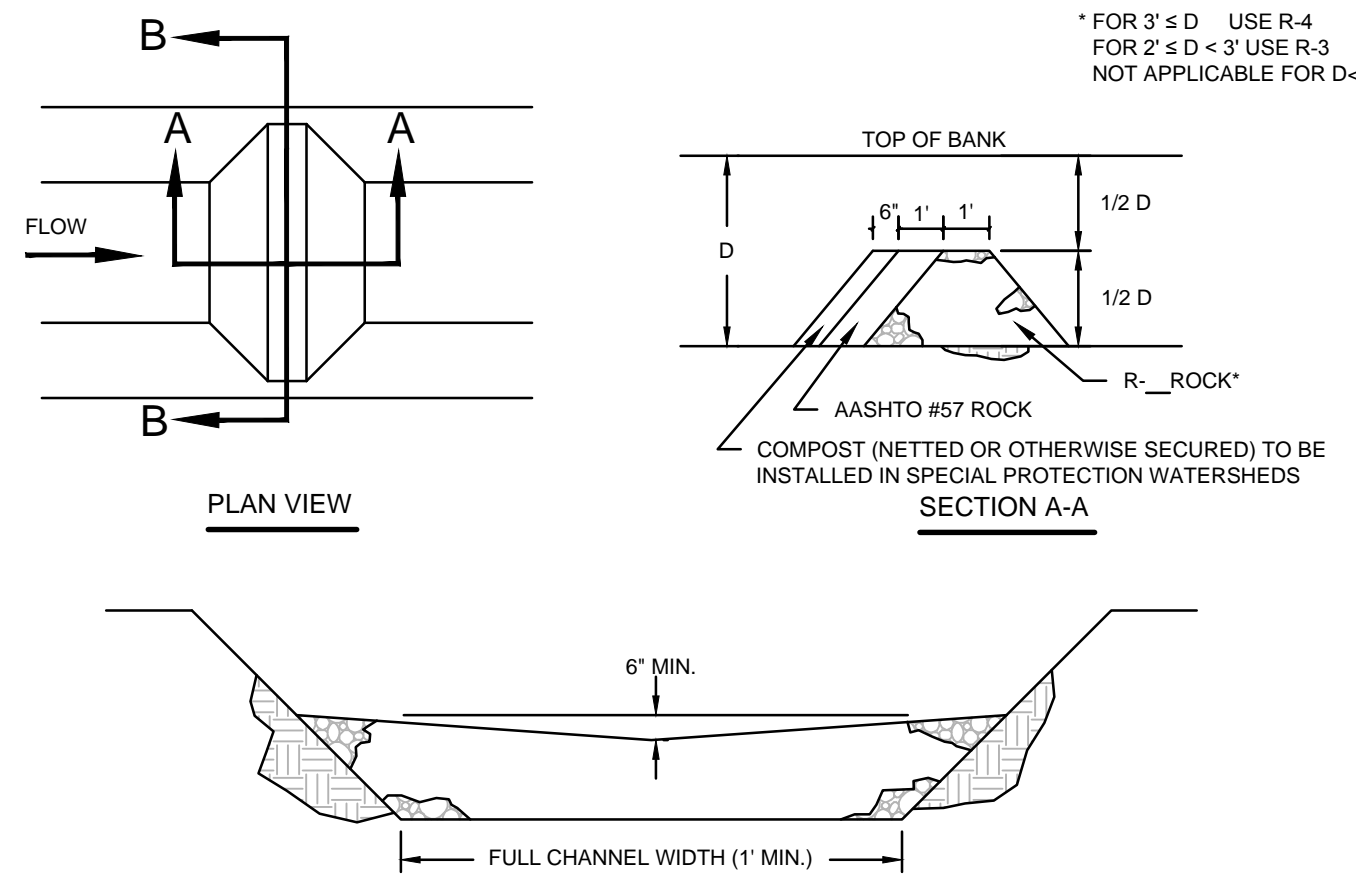
- VEGETATED SWALES**  
ALL SWALES MUST BE KEPT FREE OF OBSTRUCTIONS SUCH AS FILL, FALLEN LEAVES & WOODY DEBRIS, ACCUMULATED SEDIMENT, AND CONSTRUCTION MATERIAL/WASTES. SWALES SHALL BE KEPT MOWED AND/OR FREE OF ALL WEEDY, BRUSHY OR WOODY GROWTH. ANY UNDERGROUND UTILITIES RUNNING ACROSS/THROUGH THE SWALE(S) SHALL BE IMMEDIATELY BACKFILLED AND THE SWALE(S) REPAIRED AND STABILIZED PER THE SWALE CROSS SECTION DETAIL. ANY DISTURBANCE TO THE SWALES SHALL BE IMMEDIATELY REPAIRED AND STABILIZED PER THE SWALE CROSS SECTION DETAIL. REFER TO THE ADJACENT TABLE FOR THE OPERATION AND MAINTENANCE PROCEDURES FOR THE VEGETATED SWALES.
- MAINTAIN VALVE SITES**  
ALL VALVE SITES MUST BE KEPT FREE OF OBSTRUCTIONS SUCH AS FILL, FALLEN LEAVES & WOODY DEBRIS, ACCUMULATED SEDIMENT, AND CONSTRUCTION MATERIAL/WASTES. ANY DISTURBANCE TO THE VALVE SITE SHALL BE IMMEDIATELY REPAIRED AND STABILIZED. COMPACTION OF THE VALVE SITE BOTTOM SHALL BE PREVENTED.
- ANNUAL CERTIFICATION OF MAINTENANCE PROCEDURES**  
THE OWNER SHALL MAINTAIN A CHECKLIST WHENEVER THE PERMANENT FACILITIES ARE INSPECTED AND CLEANED. AN ANNUAL LIST OF INSPECTIONS AND MAJOR CLEANING OPERATIONS AND REPAIRS (REPAIR CHECK DAMS, REPLACE AGGREGATE, ETC.) SHALL BE MAINTAINED. THE COUNTY CONSERVATION DISTRICT(S) OR ENFORCEMENT OFFICIALS SHALL HAVE ACCESS TO THOSE RECORDS.
- ESGP-2 COMPLIANCE WITH ESGP-2 REQUIREMENTS AND RECORD KEEPING FOR PERMANENT STORMWATER DISCHARGE AND MAINTENANCE AND OTHER APPLICABLE ESGP-2 AND DEP REQUIREMENTS REGARDING DISCHARGES.**
- PROTECT SENSITIVE/SPECIAL VALUE FEATURES**  
PROTECTED AREAS SHALL REMAIN UNDISTURBED AFTER CONSTRUCTION ACTIVITIES CEASE. PROTECTED AREAS SHALL RECEIVE A BIENNIAL HEALTH INSPECTION. DEAD OR DYING VEGETATION SHALL BE IMMEDIATELY REPLACED WITH SUITABLE SPECIES. RESEED BARE AREAS AND INSTALL APPROPRIATE EROSION CONTROLS WHEN SOIL IS EXPOSED. ORANGE CONSTRUCTION FENCE WILL BE USED TO PROTECT SPECIAL VALUE/SENSITIVE AREAS DURING CONSTRUCTION.
- MINIMIZE SOIL COMPACTION - RESTRICT VEHICLE ACCESS, DO NOT CLEAR VEGETATION, AVOID EARTH DISTURBANCE, CONDUCT ANNUAL HEALTH INSPECTIONS AND IMMEDIATELY REPLACE DEAD OR DYING VEGETATION WITH SUITABLE SPECIES, RESEED BARE AREAS AND APPLY APPROPRIATE EROSION CONTROL WHERE SOIL IS EXPOSED, MINIMUM DISTURBANCE AREAS - RESTRICT VEHICLE ACCESS.**

TOPSOIL APPLICATION

GRADED AREAS SHOULD BE SCARIFIED OR OTHERWISE LOOSENED TO A DEPTH OF 3 TO 5 INCHES TO PERMIT BONDING OF THE TOPSOIL TO THE SURFACE AREAS AND TO PROVIDE A ROUGHENED SURFACE TO PREVENT TOPSOIL FROM SLIDING DOWN SLOPE.

TOPSOIL SHOULD BE UNIFORMLY DISTRIBUTED ACROSS THE DISTURBED AREA TO A DEPTH OF 4 TO 8 INCHES MINIMUM - 2 INCHES ON FILL, OUTSLOPES. SPREADING SHOULD BE DONE IN SUCH A MANNER THAT SEEDING OR SOILING CAN PROCEED WITH A MINIMUM OF ADDITIONAL PREPARATION OR TILLAGE. IRREGULARITIES IN THE SURFACE RESULTING FROM TOPSOIL PLACEMENT SHOULD BE CORRECTED IN ORDER TO PREVENT FORMATION OF DEPRESSIONS UNLESS SUCH DEPRESSIONS ARE PART OF THE PCSM PLAN.

NOTE: THIS WILLIAMS STANDARD DETAIL IS BASED ON PADEP STANDARD CONSTRUCTION DETAIL #14.



ROCK FILTER NO.	LOCATION	D (FT.)	RIPRAP SIZE
ALL	ACCESS ROADS AS NECESSARY	2	R-3

- NOTES:
- SEDIMENT SHALL BE REMOVED WHEN ACCUMULATIONS REACH 1/2 THE HEIGHT OF THE FILTER.
  - IMMEDIATELY UPON STABILIZATION OF EACH CHANNEL, INSTALLER SHALL REMOVE ACCUMULATED SEDIMENT, REMOVE ROCK FILTER, AND STABILIZE DISTURBED AREAS.
  - IN SPECIAL PROTECTION WATERSHEDS, HQ OR EV, THE ANTIDEGRADATION BEST AVAILABLE COMBINATION OF TECHNOLOGIES (ABACT) ROCK FILTER WITH THE 6" LAYER OF COMPOST ANCHORED ON TOP OF THE UPSLOPE SIDE OF THE AASHTO #57 STONE SHALL BE USED. IN NON-SPECIAL PROTECTION WATERSHEDS, THE COMPOST LAYER MAY BE OMITTED.

NO.	DATE	BY	REVISION DESCRIPTION	W.D. NO.	CHK.	APP.
			TRANSCONTINENTAL GAS PIPE LINE COMPANY, LLC STANDARD ENVIRONMENTAL DETAIL			
			ARF ABACT ROCK FILTER			

NOTE: THIS WILLIAMS STANDARD DETAIL IS BASED ON PADEP STANDARD CONSTRUCTION DETAILS #5-6 AND #3-7.

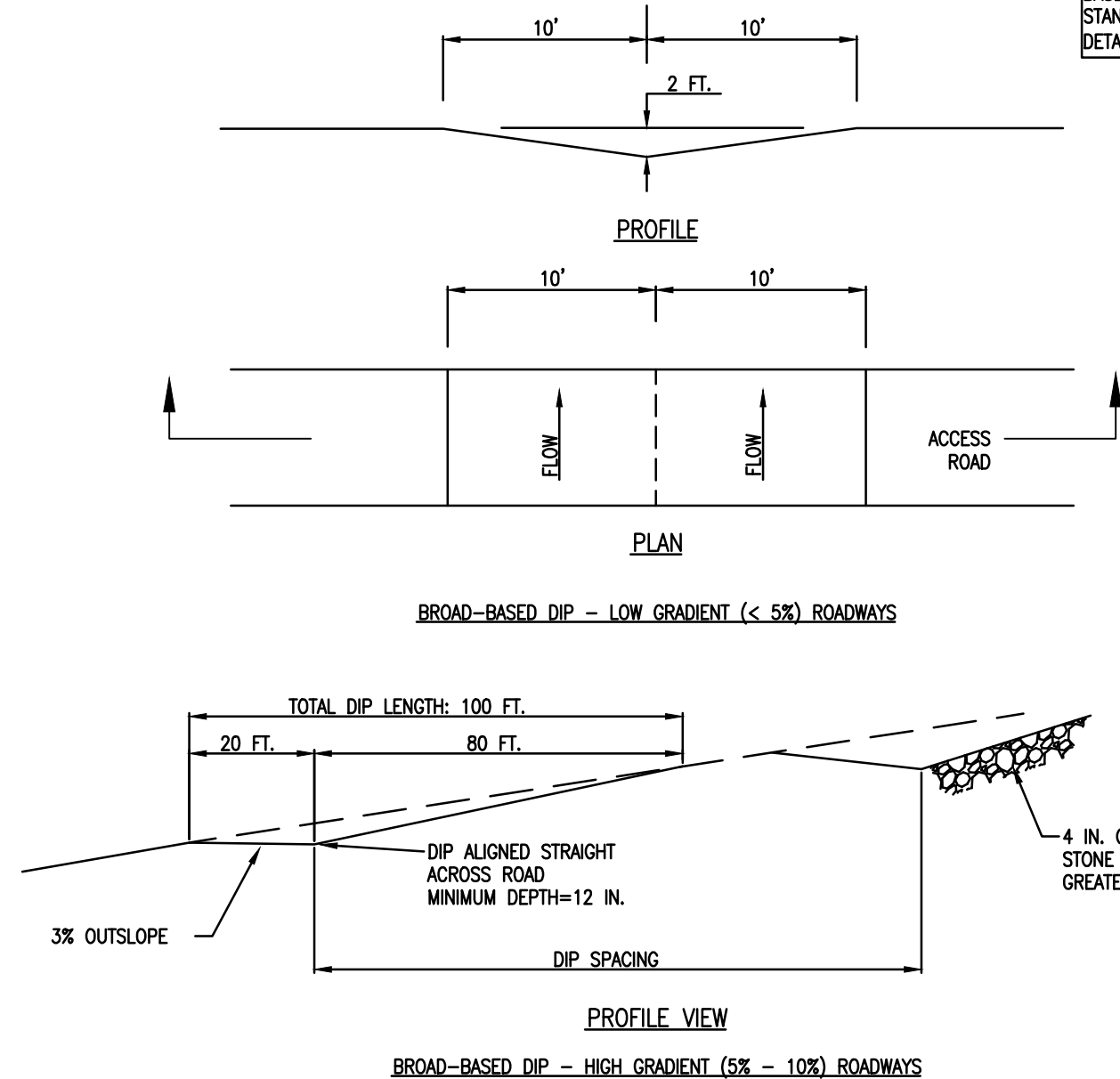


TABLE 3.2 - MAXIMUM SPACING OF BROAD-BASED DIPS

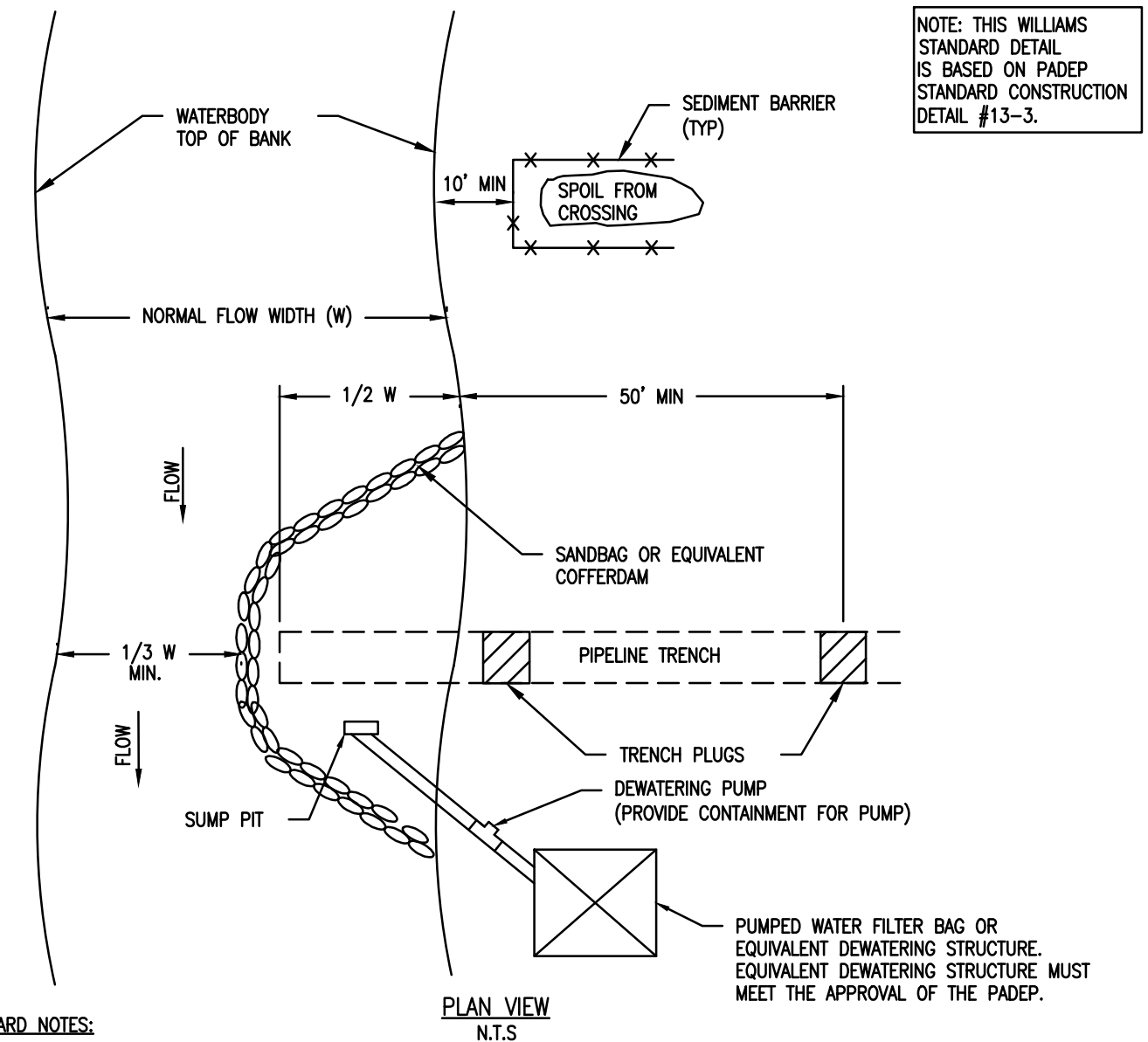
PERCENT SLOPE	SPACING BETWEEN BROAD-BASED DIPS (FT)
<2	300
3	235
4	200
5	180
6	165
7	155
8	150
9	145
10	140

USDA FOREST SERVICE

- NOTES:
- BROAD-BASED DIPS SHALL BE CONSTRUCTED TO THE DIMENSIONS SHOWN AND AT THE LOCATIONS SHOWN ON THE PLAN DRAWINGS.
  - DIPS SHALL BE ORIENTED SO AS TO DISCHARGE TO THE LOW SIDE OF THE ROADWAY.
  - DIPS SHALL BE INSPECTED DAILY. DAMAGED OR NON-FUNCTIONING DIPS SHALL BE REPAIRED BY THE END OF THE WORKDAY.
  - MAXIMUM SPACING OF BROAD-BASED DIPS SHALL BE AS SHOWN IN TABLE 3.2.

NO.	DATE	BY	REVISION DESCRIPTION	W.D. NO.	CHK.	APP.
			TRANSCONTINENTAL GAS PIPE LINE COMPANY, LLC STANDARD ENVIRONMENTAL DETAIL			
			BBD BROAD-BASED DIP			

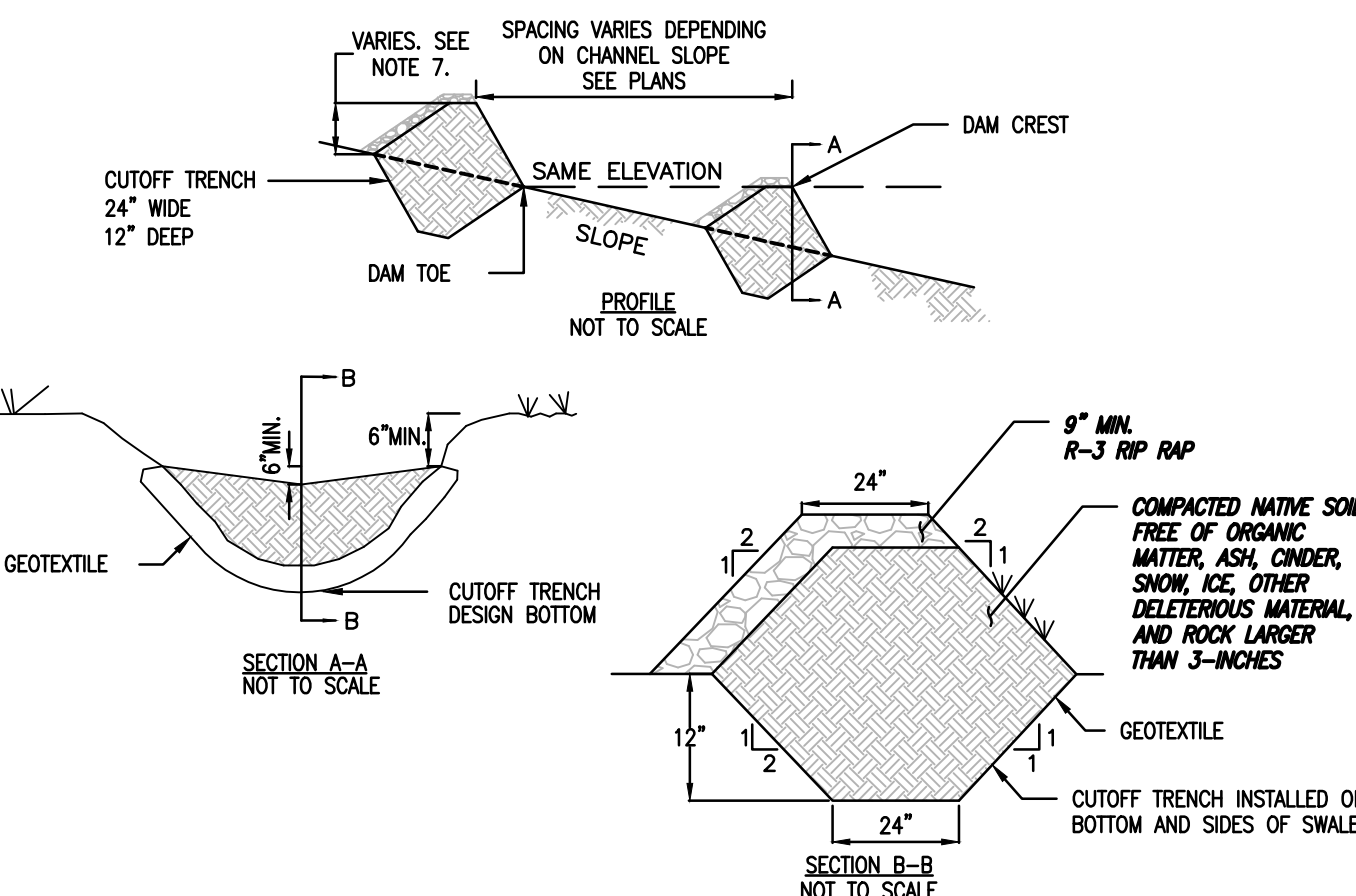
NOTE: THIS WILLIAMS STANDARD DETAIL IS BASED ON PADEP STANDARD CONSTRUCTION DETAIL #13-3.



- PADEP STANDARD NOTES:
- GRUBBING SHALL NOT TAKE PLACE WITHIN 50 FEET OF TOP-OF-BANK UNTIL ALL MATERIALS REQUIRED TO COMPLETE CROSSING ARE ON SITE AND PIPE IS READY FOR INSTALLATION.
  - TRENCH PLUG SHALL BE INSTALLED WITHIN THE TRENCH ON BOTH SIDES OF THE WATERBODY CHANNEL.
  - WATER ACCUMULATING WITHIN THE WORK AREA SHALL BE PUMPED TO A PUMPED WATER FILTER BAG OR SEDIMENT TRAP PRIOR TO DISCHARGING INTO ANY SURFACE WATER.
  - HAZARDOUS OR POLLUTANT MATERIAL STORAGE AREAS SHALL BE LOCATED AT LEAST 100 FEET BACK FROM THE TOP OF WATERBODY BANK.
  - ALL EXCESS EXCAVATED MATERIAL SHALL BE IMMEDIATELY REMOVED FROM THE WATERBODY CROSSING AREA.
  - ALL DISTURBED AREAS WITHIN 50 FEET OF TOP-OF-BANK SHALL BE BLANKETED OR MATTED WITHIN 24 HOURS OF INITIAL DISTURBANCE FOR MINOR WATERBODIES OR 48 HOURS OF INITIAL DISTURBANCE FOR INTERMEDIATE WATERBODIES UNLESS OTHERWISE AUTHORIZED.
- WILLIAMS STANDARD NOTES:
- APPROPRIATE WATERBODY BANK PROTECTION SHALL BE PROVIDED WITHIN THE CHANNEL.
  - THE WATERBODY CROSSING WILL GENERALLY BE COMPLETED IN 2 STAGES. THE DETAIL DEPICTS STAGE 1. STAGE 2 WILL GENERALLY BE COMPLETED USING THE SAME CONFIGURATION FROM THE OPPOSITE BANK.

NO.	DATE	BY	REVISION DESCRIPTION	W.D. NO.	CHK.	APP.
			TRANSCONTINENTAL GAS PIPE LINE COMPANY, LLC STANDARD ENVIRONMENTAL DETAIL			
			CD COFFERDAM STREAM CROSSING			

NOTE: THIS WILLIAMS STANDARD DETAIL IS BASED ON PADEP STANDARD CONSTRUCTION DETAIL #14.



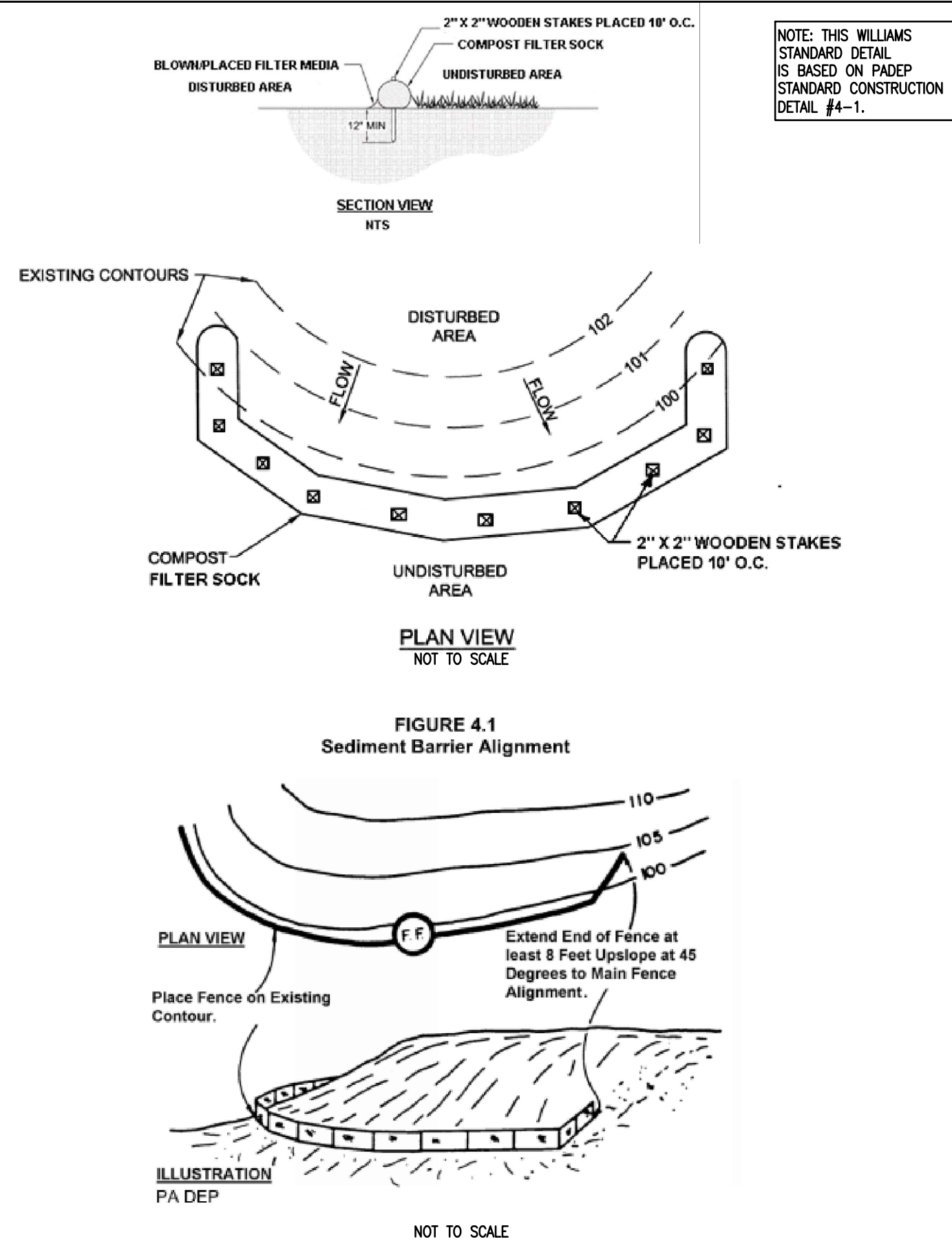
- NOTES:
- CHECK DAMS ARE APPLICABLE FOR SMALL DITCHES AND SWALES AND ARE NOT TO BE USED IN LIVE FLOWING STREAMS.
  - CHECK DAMS SHALL BE INSTALLED SUCH THAT COMPLETE COVERAGE OF THE ENTIRE WIDTH OF THE DITCH OR SWALE IS ACHIEVED.
  - SEDIMENT SHALL BE REMOVED WHEN IT ACCUMULATES TO A DEPTH OF ONE-HALF THE ORIGINAL DAM HEIGHT.
  - SET SPACING OF CHECK DAMS TO ASSUME THAT THE ELEVATIONS OF THE CREST OF THE DOWNSTREAM DAM IS AT THE SAME ELEVATION OF THE TOE OF THE UPSTREAM DAM.
  - INSTALL A CUTOFF TRENCH A MINIMUM OF 12 INCHES INTO THE SWALE BOTTOM AND SIDES TO PREVENT CUTTING AROUND THE DAM.
  - ENSURE THAT CHANNEL APPURTENANCES SUCH AS CULVERT ENTRANCES BELOW CHECK DAMS ARE NOT SUBJECT TO DAMAGE OR BLOCKAGE FROM DISPLACED STONE.
  - THE HEIGHT OF CHECK DAMS IN SWALES ALONG ACCESS ROADS IS EQUAL TO THE DEPTH OF SWALE MINUS 6 INCHES. THE DEPTH OF SWALE IS SHOWN ON THE "SOIL EROSION CONTROL PLAN" IN THE "EROSION CONTROL AND LAYOUT PLANS FOR ACCESS ROADS" AND THE "POST CONSTRUCTION STORMWATER PLAN" IN THE "POST CONSTRUCTION STORMWATER PLAN FOR PERMANENT ACCESS ROADS" UNDER SEPARATE COVERS.

NO.	DATE	BY	REVISION DESCRIPTION	W.D. NO.	CHK.	APP.
			TRANSCONTINENTAL GAS PIPE LINE COMPANY, LLC STANDARD ENVIRONMENTAL DETAIL			
			CDM CHECK DAM			



REVISIONS						
NO.	DATE	BY	DESCRIPTION	W.D. NO.	CHK.	APP.
0	08/26/2015	BL	ISSUED FOR PADEP SUBMITTAL	W0572385	JLK	SMK
1	12/02/2015	BL	ISSUED FOR PADEP RESUBMITTAL	W0572385	JLK	SMK
2	02/04/2016	BL	ISSUED FOR PADEP RESUBMITTAL	W0572385	JLK	AJB
3	03/26/2016	BL	ISSUED FOR PADEP RESUBMITTAL	W0572385	JLK	AJB
4	04/01/2016	BL	PADEP TECHNICAL DEFICIENCY RESPONSE #1	W0572385	JLK	AJB

TRANSCONTINENTAL GAS PIPE LINE COMPANY, LLC ATLANTIC SUNRISE PROJECT			
BEST MANAGEMENT PRACTICES AND QUANTITIES PLAN SET			
BEST MANAGEMENT PRACTICES DETAILS			
DRAWN BY:	ELZ	DATE:	05/15/15
CHECKED BY:	JLK	DATE:	07/02/15
APPROVED BY:	SMK	DATE:	07/08/15
ISSUED FOR:	ISSUED FOR CONSTRUCTION	SCALE:	
DRAWING NUMBER:	ASR-BMP	REVISION:	4
SHEET:	1	OF:	11



NOTE: THIS WILLIAMS STANDARD DETAIL IS BASED ON PADEP STANDARD CONSTRUCTION DETAIL #4-1.

FIGURE 4.1 Sediment Barrier Alignment

NO.	DATE	BY	REVISION DESCRIPTION	NO.	NO.	CHK.	APP.
			TRANSCONTINENTAL GAS PIPE LINE COMPANY, LLC STANDARD ENVIRONMENTAL DETAIL				
			(CFS) COMPOST FILTER SOCK				

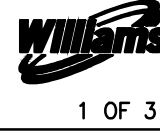


TABLE 4.1 COMPOST SOCK FABRIC MINIMUM SPECIFICATIONS

Material Type	3 mil HDPE	4 mil HDPE	5 mil HDPE	Multi-Filament Polypropylene (MFPP)	Multi-Filament Polypropylene (HDMFPP)
Material Characteristics	Photo-degradable	Photo-degradable	Bio-degradable	Photo-degradable	Photo-degradable
Sock Diameters	12", 18"	12", 18", 24"	12", 18", 24", 30"	12", 18", 24", 30"	12", 18", 24", 30"
Mesh Opening	3/8"	3/8"	3/8"	3/8"	3/8"
Tensile Strength		26 psi	26 psi	44 psi	202 psi
Ultraviolet Stability % Original Strength (ASTM G-155)	23% at 1000 hr	23% at 1000 hr		100% at 1000 hr	100% at 1000 hr
Minimum Functional Longevity	6 months	6 months	6 months	1 year	2 years

Two-ply systems

Inner Containment Netting	HDPE biaxial net Continuously wound Fusion-welded junctures 3/4" X 3/4" Max. aperture size
Outer Filtration Mesh	Composite Polypropylene Fabric (Woven layer and non-woven fleece mechanically fused via needle punch) 3/16" Max. aperture size

Sock fabrics composed of burlap may be used on projects lasting 6 months or less.

TABLE 4.2 COMPOST STANDARDS

ORGANIC MATTER CONTENT	25%-100% (DRY WEIGHT BASIS)
ORGANIC PORTION	FIBROUS AND ELONGATED
pH	5.5 - 8.5
MOISTURE CONTENT	30% - 60%
PARTICLE SIZE	30%-50% PASS THROUGH 3/8" SIEVE
SOLUBLE SALT CONCENTRATION	5.0 DS/M (MMHOS/CM) MAXIMUM

- NOTES:
- SOCK FABRIC SHALL MEET STANDARDS OF TABLE 4.1. COMPOST SHALL MEET THE STANDARDS OF TABLE 4.2. (SEE SHEET 2 OF 3 OF THIS DETAIL.)
  - COMPOST FILTER SOCK SHALL BE PLACED AT EXISTING LEVEL GRADE. BOTH ENDS OF THE SOCK SHALL BE EXTENDED AT LEAST 8 FEET UP SLOPE AT 45 DEGREES TO THE MAIN SOCK ALIGNMENT. MAXIMUM SLOPE LENGTH ABOVE ANY SOCK SHALL NOT EXCEED THAT SHOWN ON FIGURE 4.2. (SEE SHEET 3 OF 3 OF THIS DETAIL.) STAKES MAY BE INSTALLED IMMEDIATELY DOWNSLOPE OF THE SOCK IF SO SPECIFIED BY THE MANUFACTURER.
  - TRAFFIC SHALL NOT BE PERMITTED TO CROSS COMPOST FILTER SOCKS.
  - ACCUMULATED SEDIMENT SHALL BE REMOVED WHEN IT REACHES HALF THE ABOVEGROUND HEIGHT OF THE SOCK AND DISPOSED IN THE MANNER DESCRIBED ELSEWHERE IN THE PLAN.
  - SOCKS SHALL BE INSPECTED WEEKLY AND AFTER EACH RUNOFF EVENT. DAMAGED SOCKS SHALL BE REPAIRED ACCORDING TO MANUFACTURER'S SPECIFICATIONS OR REPLACED WITHIN 24 HOURS OF INSPECTION.
  - BIODEGRADABLE FILTER SOCKS SHALL BE REPLACED AFTER 6 MONTHS; PHOTODEGRADABLE SOCKS AFTER 1 YEAR. POLYPROPYLENE SOCKS SHALL BE REPLACED ACCORDING TO MANUFACTURER'S RECOMMENDATIONS.
  - UPON STABILIZATION OF THE AREA TRIBUTARY TO THE SOCK, STAKES SHALL BE REMOVED. THE SOCK MAY BE LEFT IN PLACE AND VEGETATED OR REMOVED. IN THE LATTER CASE, THE MESH SHALL BE CUT OPEN AND THE MULCH SPREAD AS A SOIL SUPPLEMENT.
  - SOCKS SHALL BE INSTALLED PARALLEL TO THE CONTOURS, TYPICALLY, IN AREAS WHERE THE SLOPE OF THE CATCHMENT AREA IS LESS THAN FIVE PERCENT, THE SOCKS MAY BE INSTALLED AS NECESSARY TO MINIMIZE THE NUMBER OF SEPARATE SOCK SEGMENTS ALONG THE EDGE OF DISTURBANCE.

NO.	DATE	BY	REVISION DESCRIPTION	NO.	NO.	CHK.	APP.
			TRANSCONTINENTAL GAS PIPE LINE COMPANY, LLC STANDARD ENVIRONMENTAL DETAIL				
			(CFS) COMPOST FILTER SOCK				

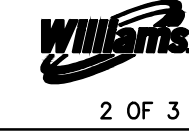
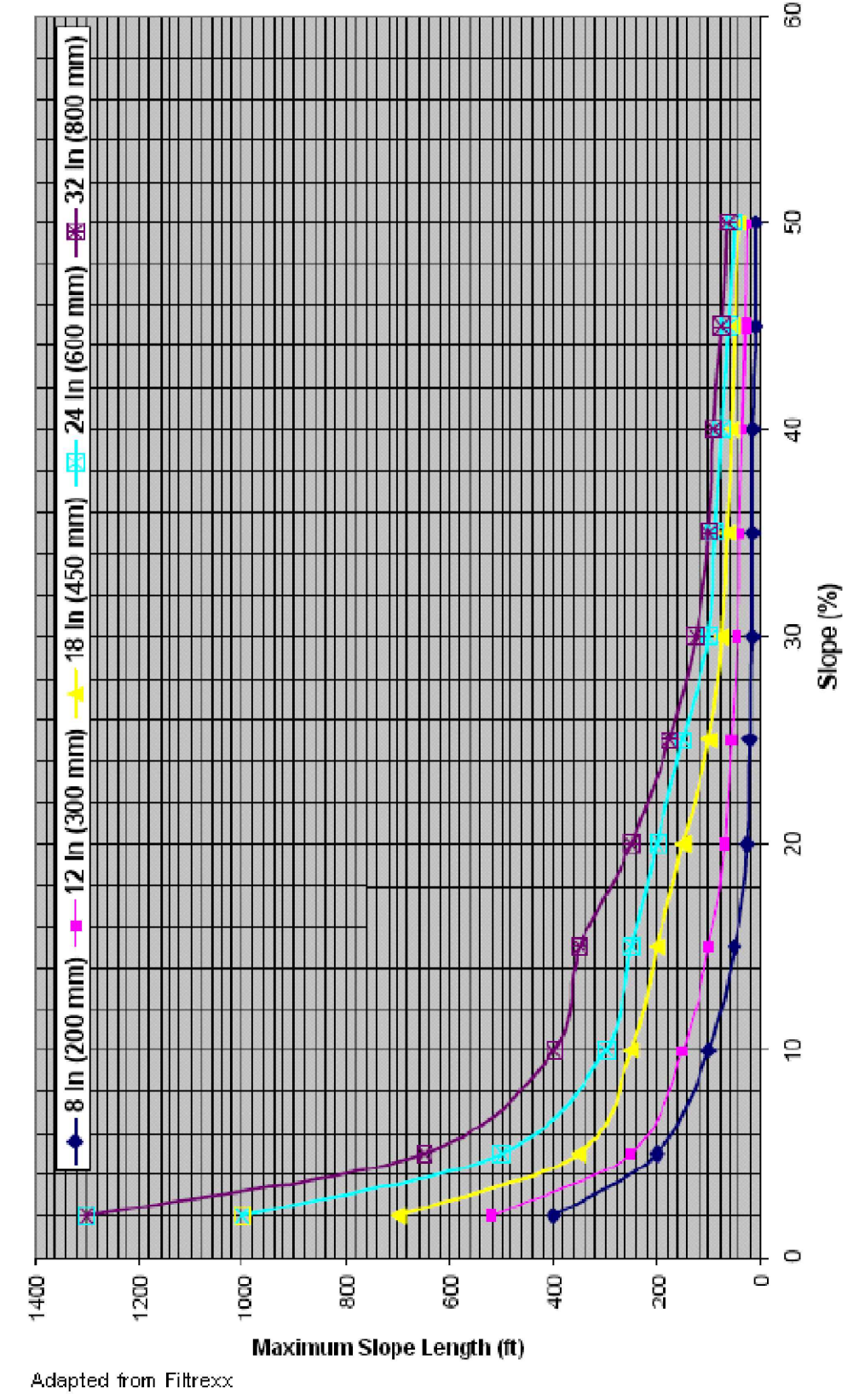
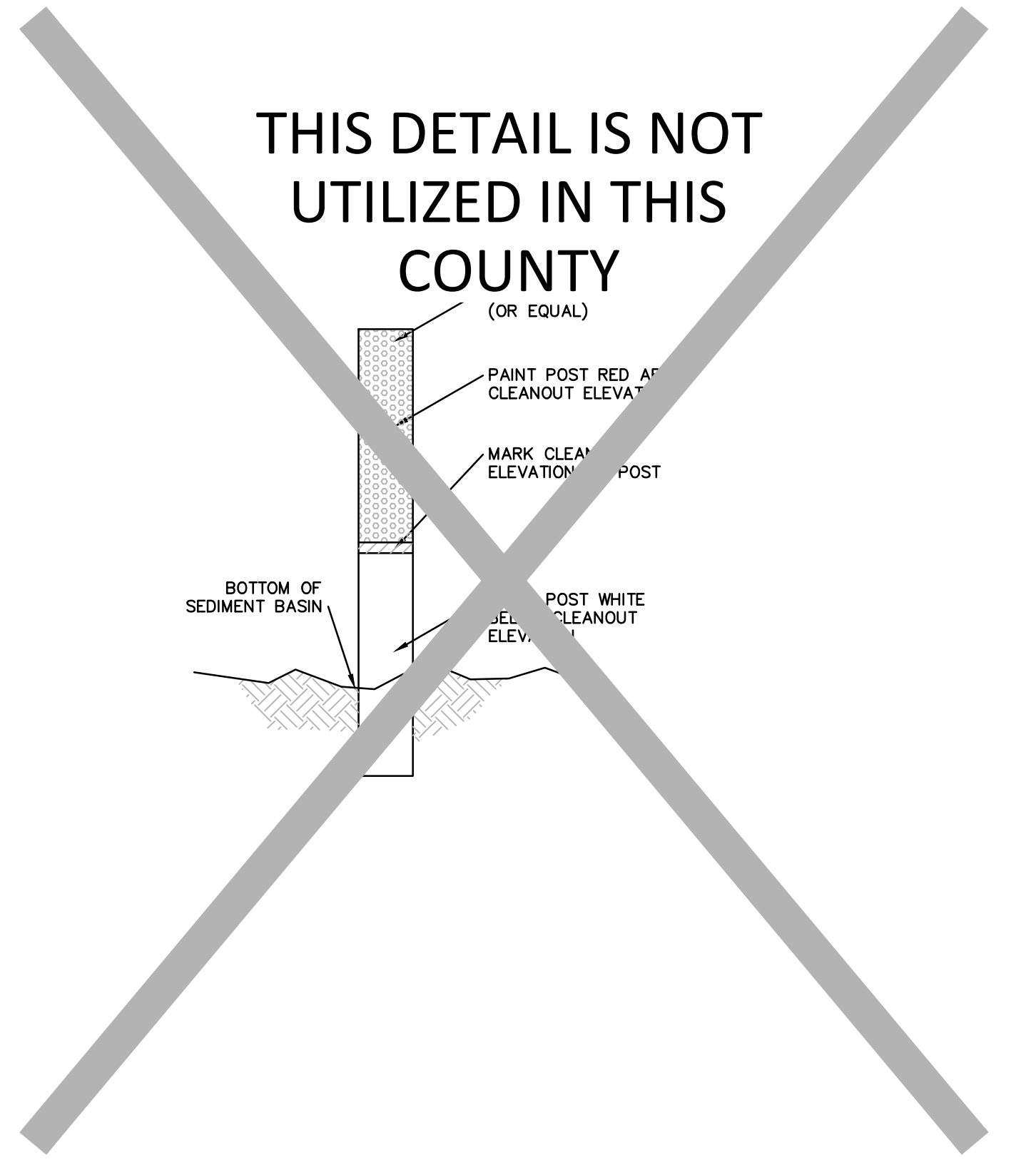


FIGURE 4.2 MAXIMUM PERMISSIBLE SLOPE LENGTH ABOVE COMPOST FILTER SOCKS



NOTE: 8" diameter socks should only be used to control small (< 1/4 acre) disturbed areas on individual house lots.

NO.	DATE	BY	REVISION DESCRIPTION	NO.	NO.	CHK.	APP.
			TRANSCONTINENTAL GAS PIPE LINE COMPANY, LLC STANDARD ENVIRONMENTAL DETAIL				
			(CFS) COMPOST FILTER SOCK				

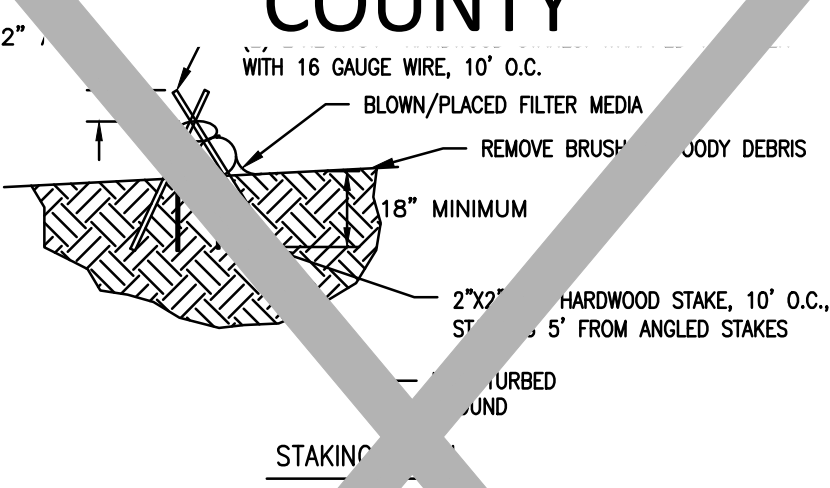


THIS DETAIL IS NOT UTILIZED IN THIS COUNTY (OR EQUAL)

NO.	DATE	BY	REVISION DESCRIPTION	NO.	NO.	CHK.	APP.
			TRANSCONTINENTAL GAS PIPE LINE COMPANY, LLC STANDARD ENVIRONMENTAL DETAIL				
			(CS) CLEANOUT STAKE				



THIS DETAIL IS NOT UTILIZED IN THIS COUNTY



NOTE: THIS WILLIAMS STANDARD DETAIL IS BASED ON PADEP STANDARD CONSTRUCTION DETAIL #3-11.

- NOTES:
- SEE COMPOST FILTER SOCK (CFS) DETAIL FOR MORE INFORMATION. SOCK MATERIAL SHALL MEET THE STANDARDS OF TABLE 4.1. COMPOST SHALL MEET THE STANDARDS OF TABLE 4.2.
  - COMPOST SOCK SEDIMENT TRAPS SHALL NOT EXCEED THREE SOCKS IN HEIGHT AND SHALL BE STACKED IN PYRAMIDAL FORM AS SHOWN ABOVE. MINIMUM TRAP HEIGHT IS ONE 24" DIAMETER. ADDITIONAL STORAGE MAY BE PROVIDED BY MEANS OF AN EXCAVATED SUMP 12" DEEP EXTENDING 1 TO 3 FEET UPSLOPE OF THE SUMP.
  - THE MAXIMUM TRIBUTARY DRAINAGE AREA SHALL BE 0.5 ACRES. SINCE COMPOST SOCKS ARE "FLOW-THROUGH" NO SPILLWAY IS REQUIRED.
  - COMPOST SOCK SEDIMENT TRAPS SHALL BE INSPECTED WEEKLY AND AFTER EACH RUNOFF EVENT. SEDIMENT SHALL BE REMOVED WHEN IT REACHES 1/3 THE HEIGHT OF THE SOCKS.
  - PHOTODEGRADABLE AND BIODEGRADABLE SOCKS SHALL NOT BE USED FOR MORE THAN 1 YEAR.
  - DESIGN NOTES:
    - COMPOST SOCK SEDIMENT TRAP SHALL BE SIZED TO PROVIDE 2,000 CUBIC FEET OF STORAGE CAPACITY PER 12" FREEBOARD FOR EACH AC TRIBUTARY TO THE TRAP.
    - MINIMUM BASE WIDTH IS EQUIVALENT TO THE HEIGHT.
    - SEDIMENT ACCUMULATION SHALL NOT EXCEED 1/3 THE TOTAL HEIGHT OF THE TRAP.
  - SOCKS SHALL BE OF LARGER DIAMETER AT THE BASE OF THE TRAP AND DECREASE IN DIAMETER FOR SUCCESSIVE LAYERS AS INDICATED TO THE LEFT.
  - ENDS OF THE TRAP SHALL BE A MINIMUM OF 1 FOOT HIGHER IN ELEVATION THAN THE MID-SECTION, WHICH SHALL BE LOCATED AT THE POINT OF DISCHARGE.

NO.	DATE	BY	REVISION DESCRIPTION	NO.	NO.	CHK.	APP.
			TRANSCONTINENTAL GAS PIPE LINE COMPANY, LLC STANDARD ENVIRONMENTAL DETAIL				
			(CST) COMPOST SOCK SEDIMENT TRAP				



REFER TO THE QUANTITY, CROSSING AND ACIDIC SOIL TABLES FOR DETAIL AND DESIGN

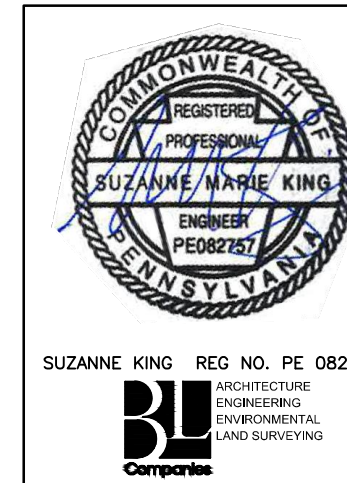
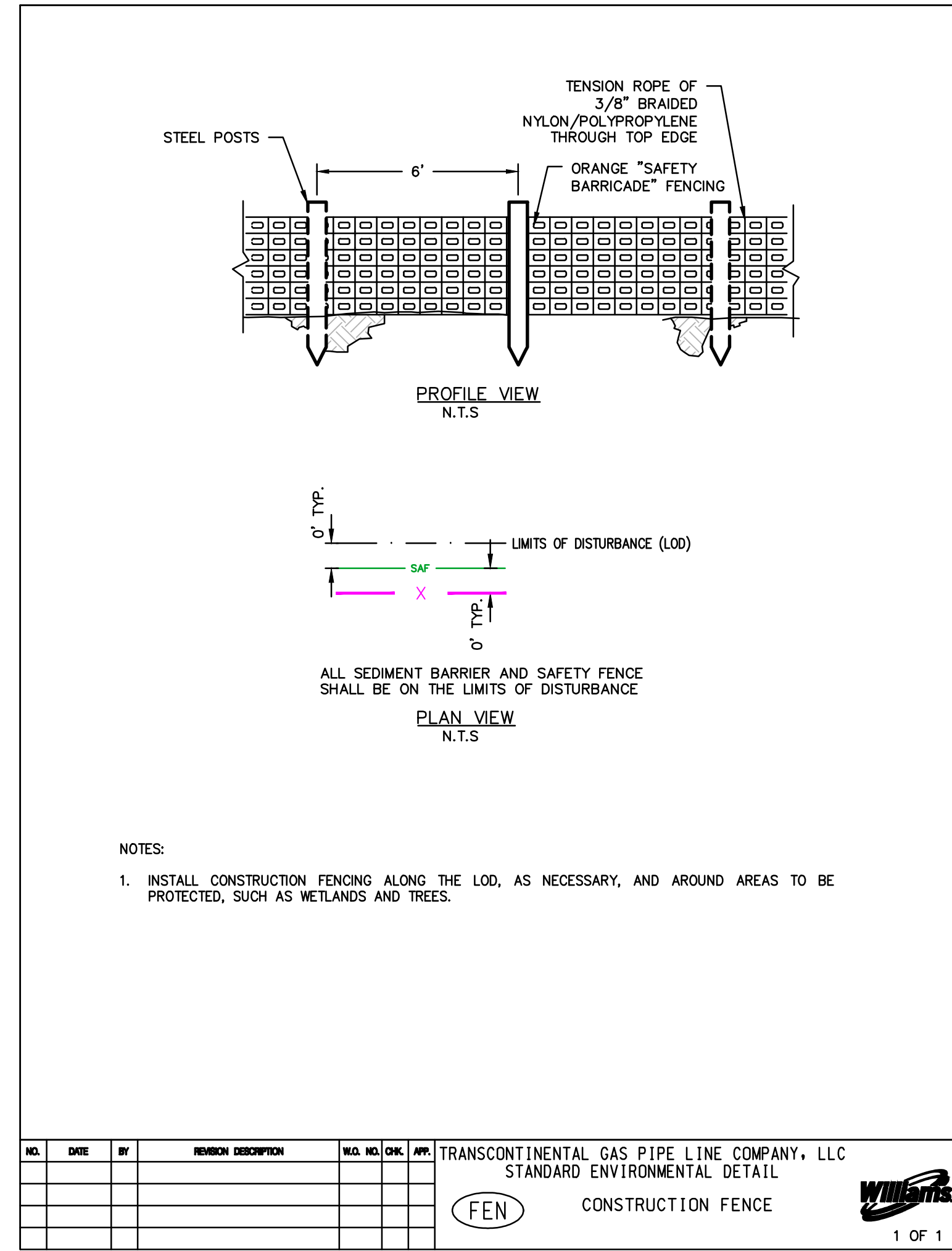
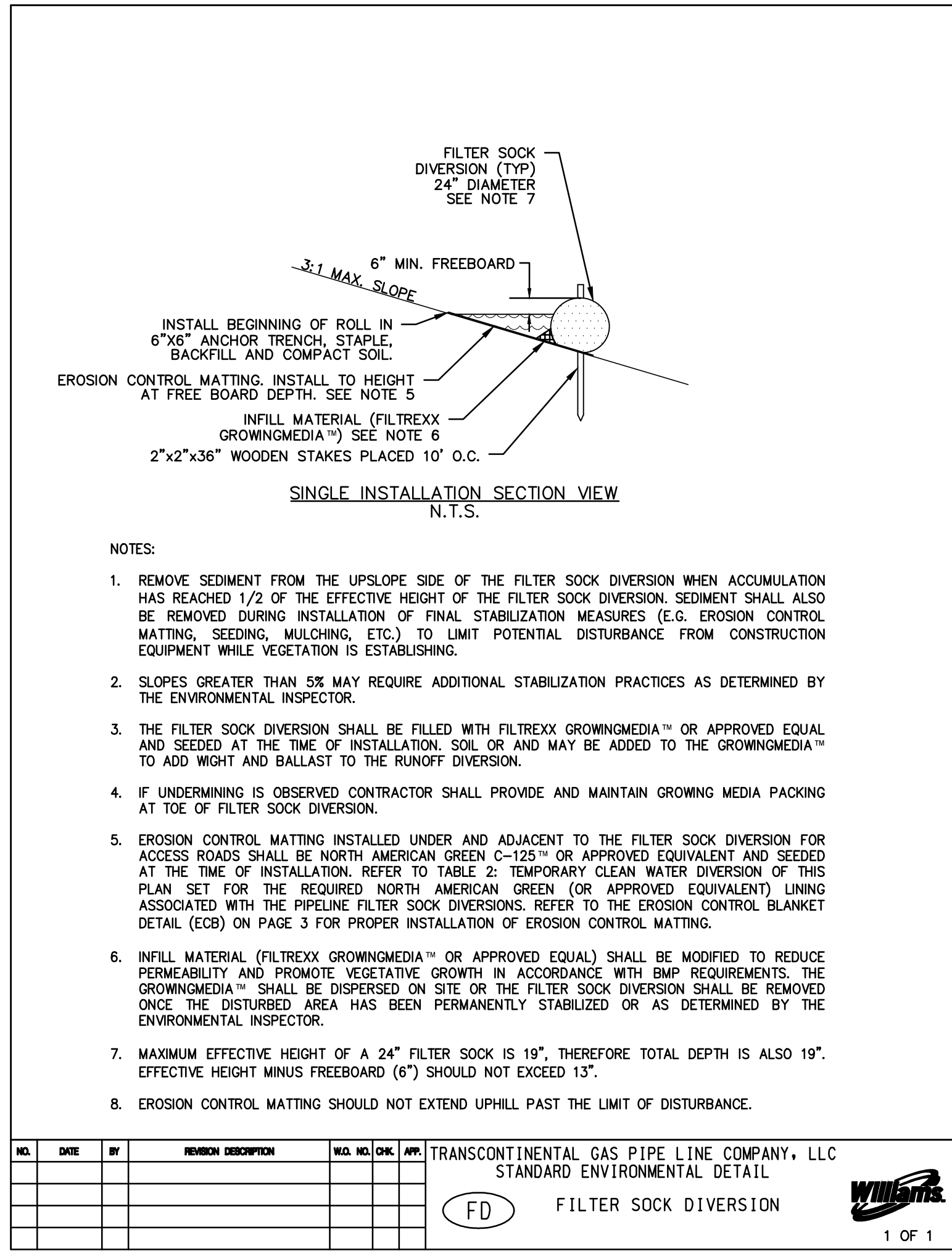
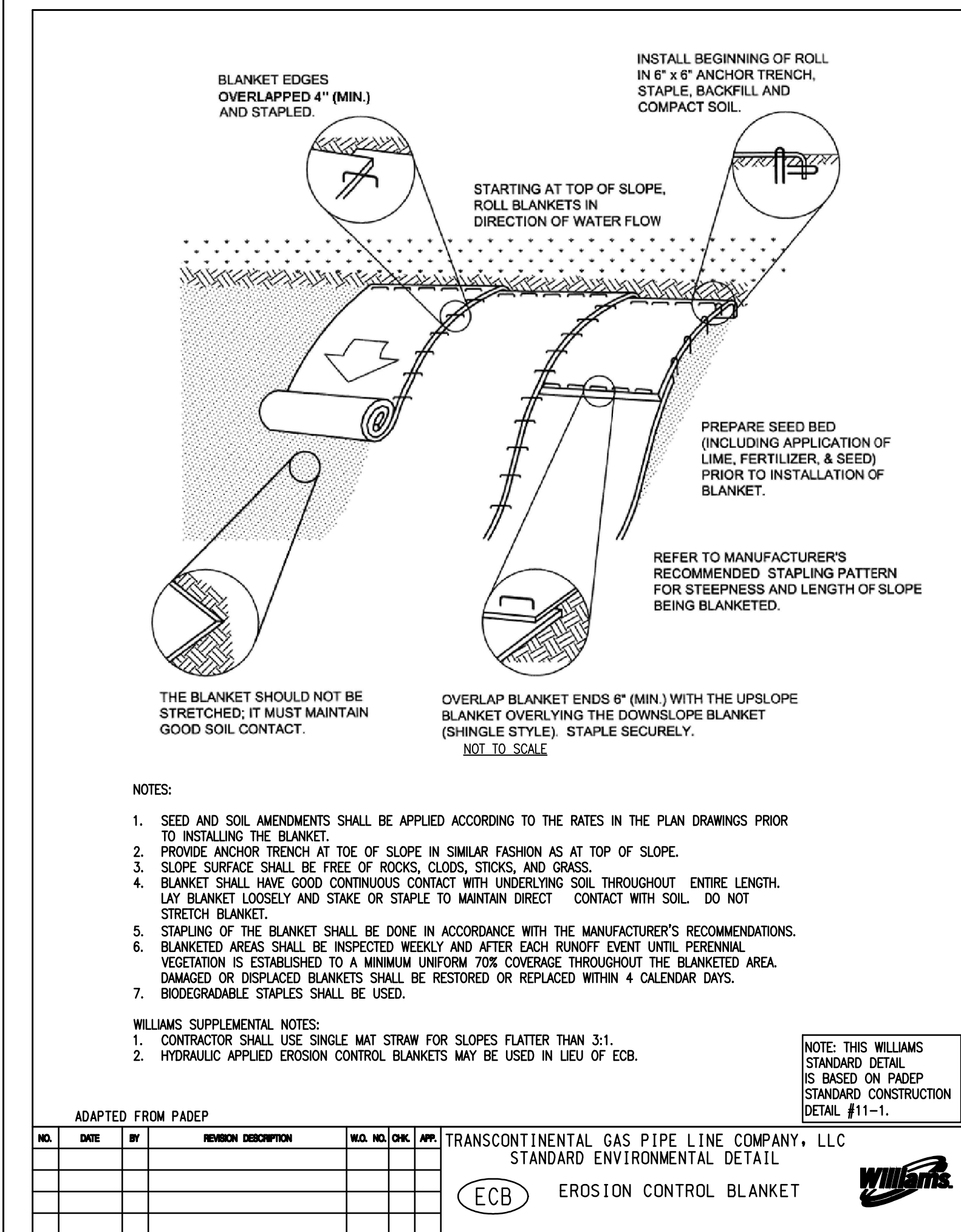
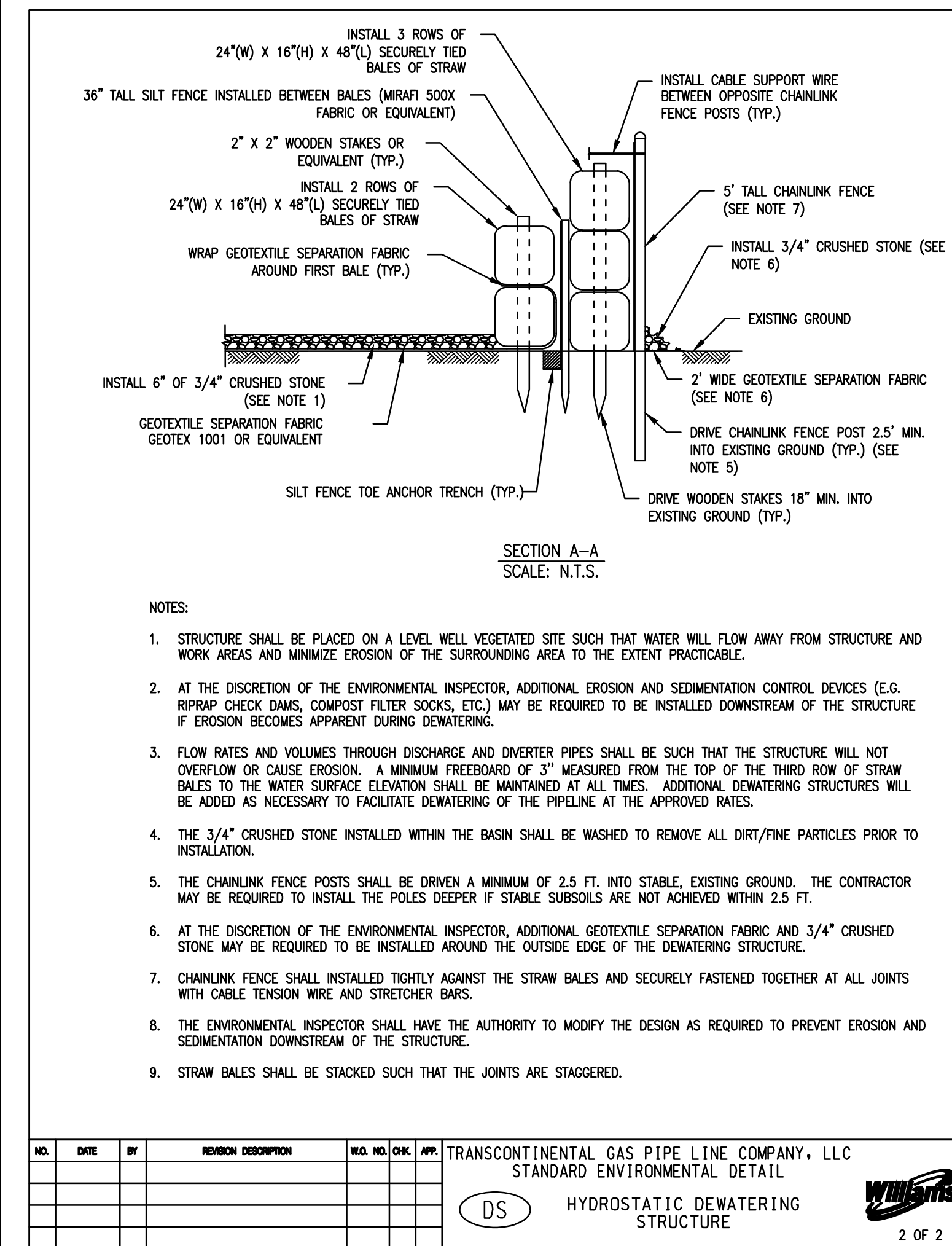
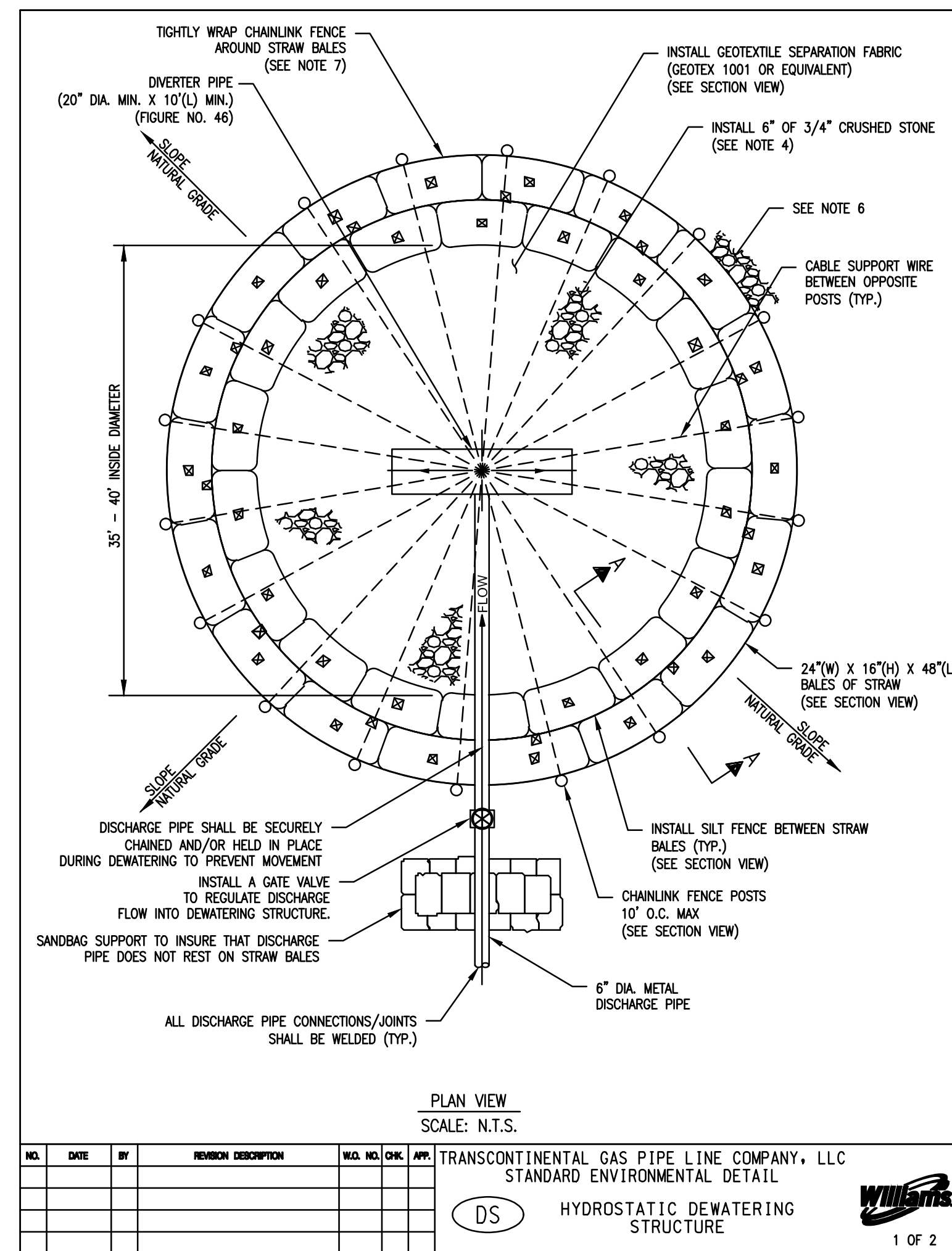
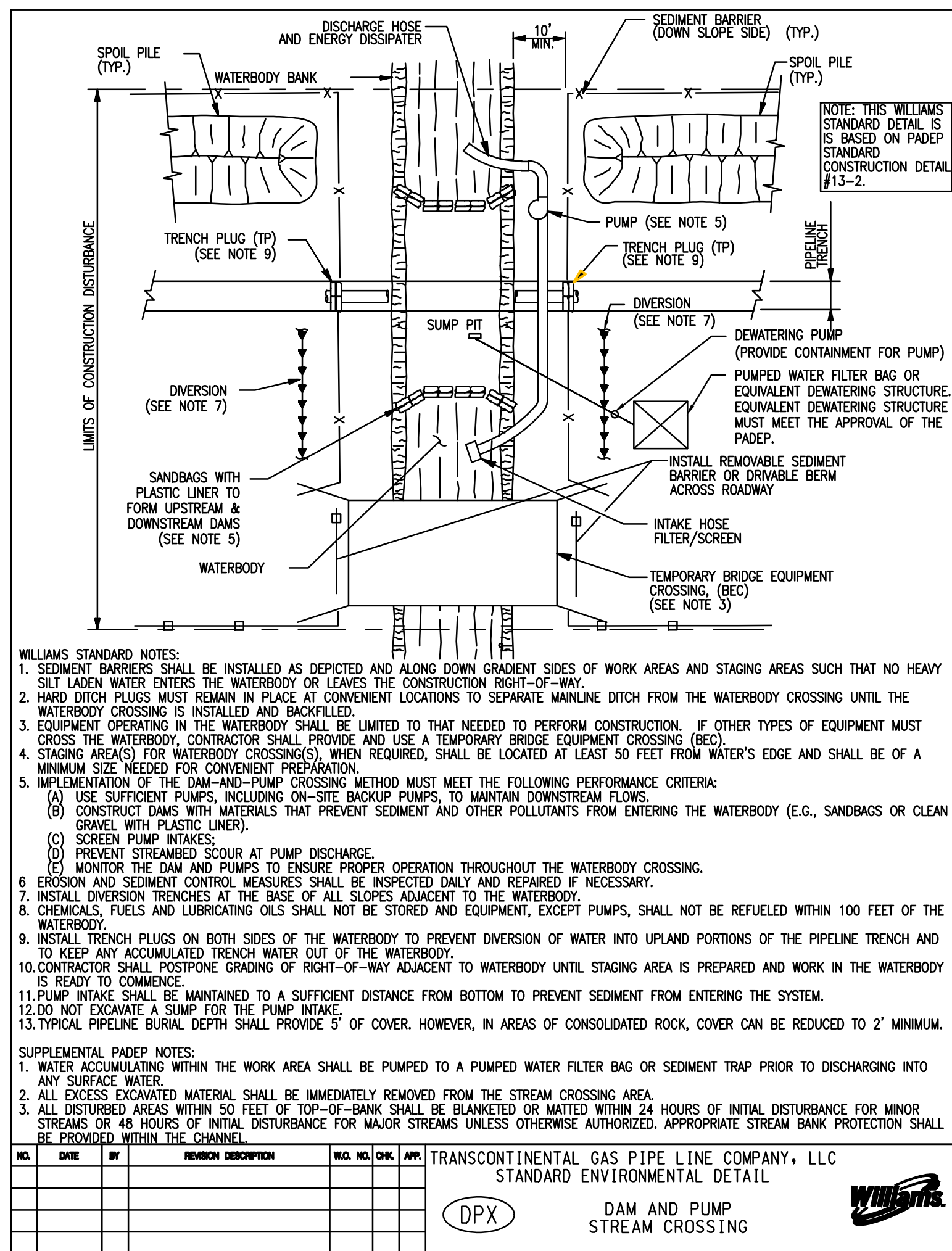
NO.	DATE	BY	REVISION DESCRIPTION	NO.	NO.	CHK.	APP.
			TRANSCONTINENTAL GAS PIPE LINE COMPANY, LLC STANDARD ENVIRONMENTAL DETAIL				
			(CWC) CLEAN WATER CROSSING (FLUME CROSSING)				



REVISIONS							
NO.	DATE	BY	DESCRIPTION	W.O. NO.	CHK.	APP.	
0	08/26/2015	BL	ISSUED FOR PADEP SUBMITTAL	W0572385	JLK	SMK	
1	12/02/2015	BL	ISSUED FOR PADEP RESUBMITTAL	W0572385	JLK	SMK	
2	Oct. 2016	BL	PADEP TECHNICAL DEFICIENCY RESPONSE #1	W0572385	JLK	SMK	

TRANSCONTINENTAL GAS PIPE LINE COMPANY, LLC			
ATLANTIC SUNRISE PROJECT			
BEST MANAGEMENT PRACTICES AND QUANTITIES PLAN SET			
BEST MANAGEMENT PRACTICES DETAILS			
DRAWN BY:	ELZ	DATE:	05/15/15
CHECKED BY:	JLK	DATE:	07/02/15
APPROVED BY:	SMK	DATE:	07/08/15
ISSUED FOR:	CONSTRUCTION	SCALE:	
DRAWING NUMBER:	ASR-BMP	REVISION:	2
SHEET:	2	OF:	11





REVISIONS						
NO.	DATE	BY	DESCRIPTION	W.D. NO.	CHK.	APP.
0	08/26/2015	BL	ISSUED FOR PADEP SUBMITTAL	W0572385	JLK	SMK
1	12/02/2015	BL	ISSUED FOR PADEP RESUBMITTAL	W0572385	JLK	SMK
2	Oct. 2016	BL	PADEP TECHNICAL DEFICIENCY RESPONSE #1	W0572385	JLK	SMK

TRANSCONTINENTAL GAS PIPE LINE COMPANY, LLC			
ATLANTIC SUNRISE PROJECT			
BEST MANAGEMENT PRACTICES AND QUANTITIES PLAN SET			
BEST MANAGEMENT PRACTICES DETAILS			
DRAWN BY:	ELZ	DATE:	05/15/15
CHECKED BY:	JLK	DATE:	07/02/15
APPROVED BY:	SMK	DATE:	07/08/15
ISSUED FOR:	ISSUED FOR CONSTRUCTION	SCALE:	2
DRAWING NUMBER:	ASR-BMP	SHEET:	3
OF:			11

Drawn By & Date/Time: cmastriano Nov 13, 2016 2:31pm  
 Drawing Location & Name: G:\JOBS\14\14C\14C4909\DWG\BMPs&DETAILS\PL\_DNT14C4909(10)\_WY-BMP-03.dwg

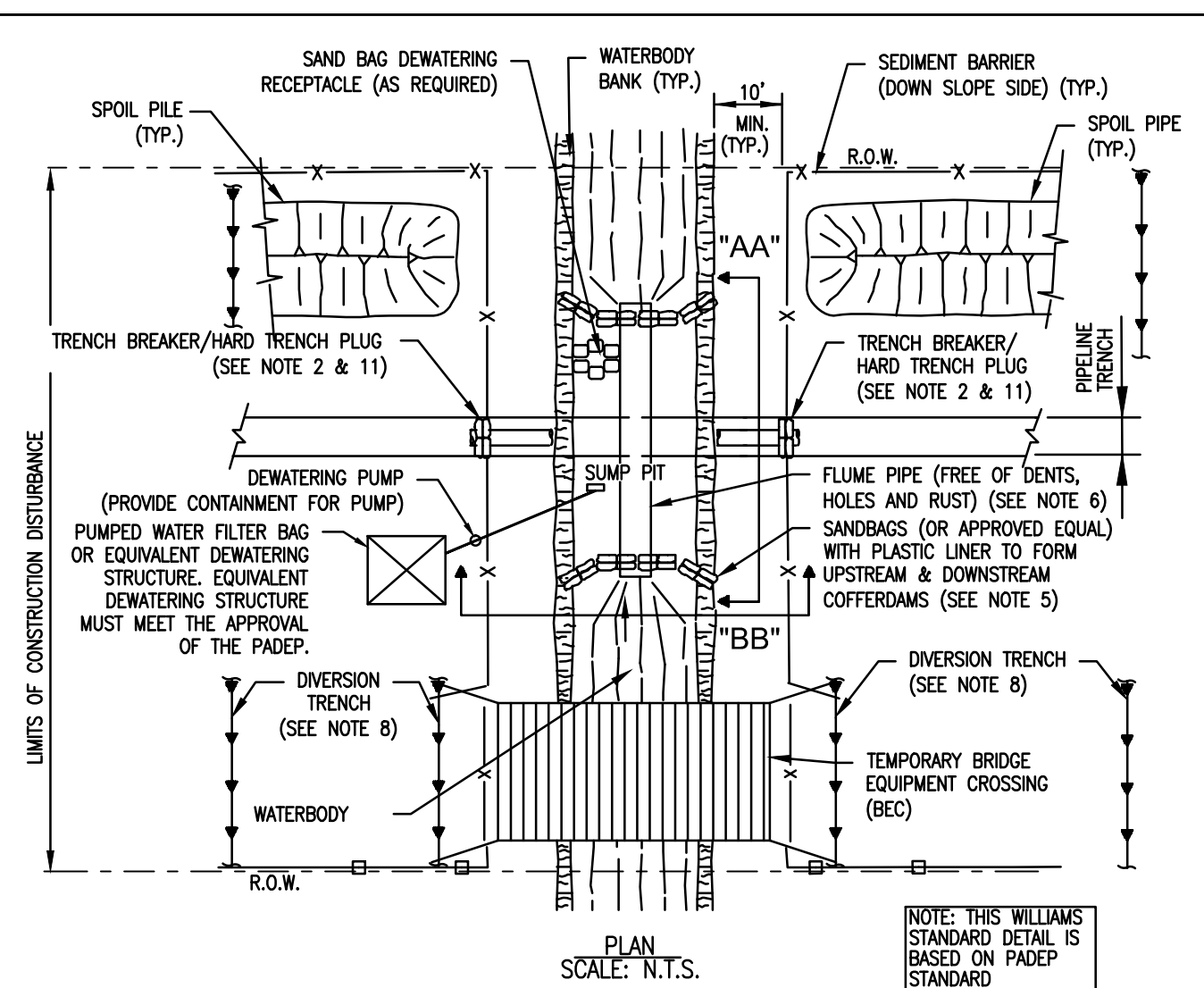


Figure 1. Technique

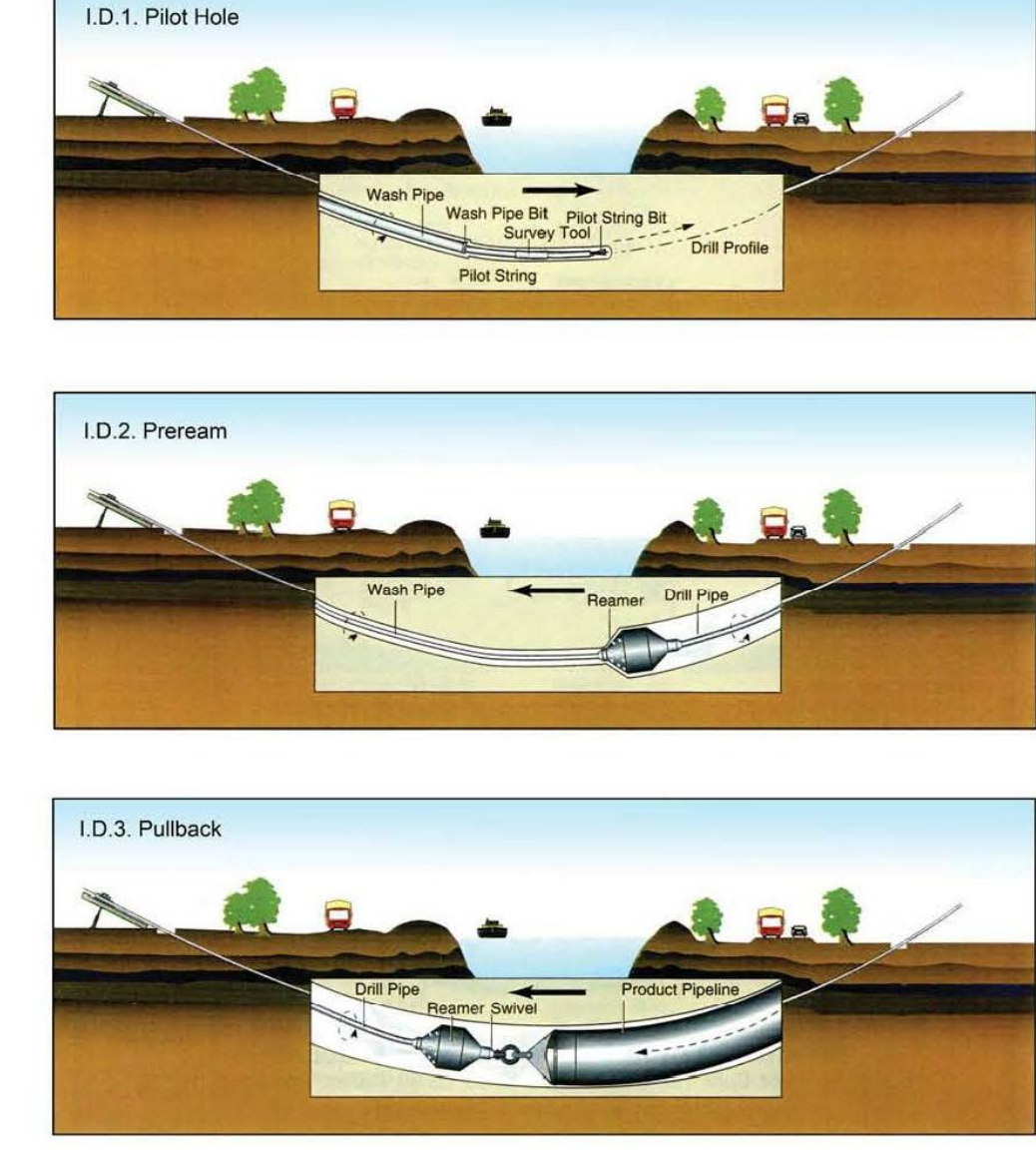


Figure 2. Rig Side Work Space



Figure 3. Pipe Side Work Space

- NOTES:
- SEDIMENT BARRIERS SHALL BE INSTALLED AS DEPICTED AND ALONG DOWN GRADIENT SIDES OF WORK AREAS AND STAGING AREAS SUCH THAT NO HEAVY SILT LADEN WATER ENTERS THE WATERBODY OR LEAVES THE CONSTRUCTION RIGHT-OF-WAY.
  - HARD TRENCH PLUGS MUST REMAIN IN PLACE AT CONVENIENT LOCATIONS TO SEPARATE THE MAINLINE DITCH FROM THE WATERBODY CROSSING UNTIL THE WATERBODY CROSSING IS INSTALLED AND BACKFILLED.
  - EQUIPMENT OPERATING IN THE WATERBODY SHALL BE LIMITED TO THAT NEEDED TO PERFORM CONSTRUCTION. IF OTHER TYPES OF EQUIPMENT MUST CROSS THE WATERBODY, THE CONTRACTOR SHALL PROVIDE AND USE A TEMPORARY BRIDGE EQUIPMENT CROSSING.
  - STAGING AREA(S) FOR WATERBODY CROSSING(S), WHEN REQUIRED, SHALL BE LOCATED AT LEAST 50 FEET FROM THE WATER'S EDGE AND SHALL BE OF A MINIMUM SIZE NEEDED FOR CONVENIENT PREPARATION.
  - FLUME CROSSING METHOD REQUIREMENTS INCLUDE:
    - INSTALL FLUME PIPE(S) AFTER BLASTING (IF NECESSARY), BUT BEFORE ANY TRENCHING.
    - USE SAND BAG OR SAND BAG AND PLASTIC SHEETING DIVERSION STRUCTURES OR EQUIVALENT TO DEVELOP AN EFFECTIVE SEAL AND TO DIVERT WATERBODY FLOW THROUGH THE FLUME PIPE (SOME MINOR MODIFICATIONS TO THE WATERBODY BOTTOM MAY BE REQUIRED TO ACHIEVE AN EFFECTIVE SEAL).
    - PROPERLY ALIGN FLUME PIPE(S) TO PREVENT BANK EROSION AND WATERBODY CHANNEL BED SCOUR.
    - DO NOT REMOVE FLUME PIPE DURING TRENCHING, PIPE LAYING, OR BACKFILLING ACTIVITIES, OR INITIAL STREAM BED RESTORATION EFFORTS.
    - REMOVE ALL FLUME PIPES AND DAMS THAT ARE NOT ALSO PART OF THE EQUIPMENT BRIDGE AS SOON AS FINAL CLEANUP OF THE STREAM BED AND BANK IS COMPLETE.
  - THE FLUME PIPE MUST BE SIZED TO ADEQUATELY CONVEY MAXIMUM ANTICIPATED FLOW RATES AT THE TIME OF THE CROSSING WITHOUT FLOODING THE TRENCH, WHILE MAINTAINING ADEQUATE FLOW RATES TO PROTECT AQUATIC LIFE AND PREVENT THE INTERRUPTION OF EXISTING DOWNSTREAM USES.

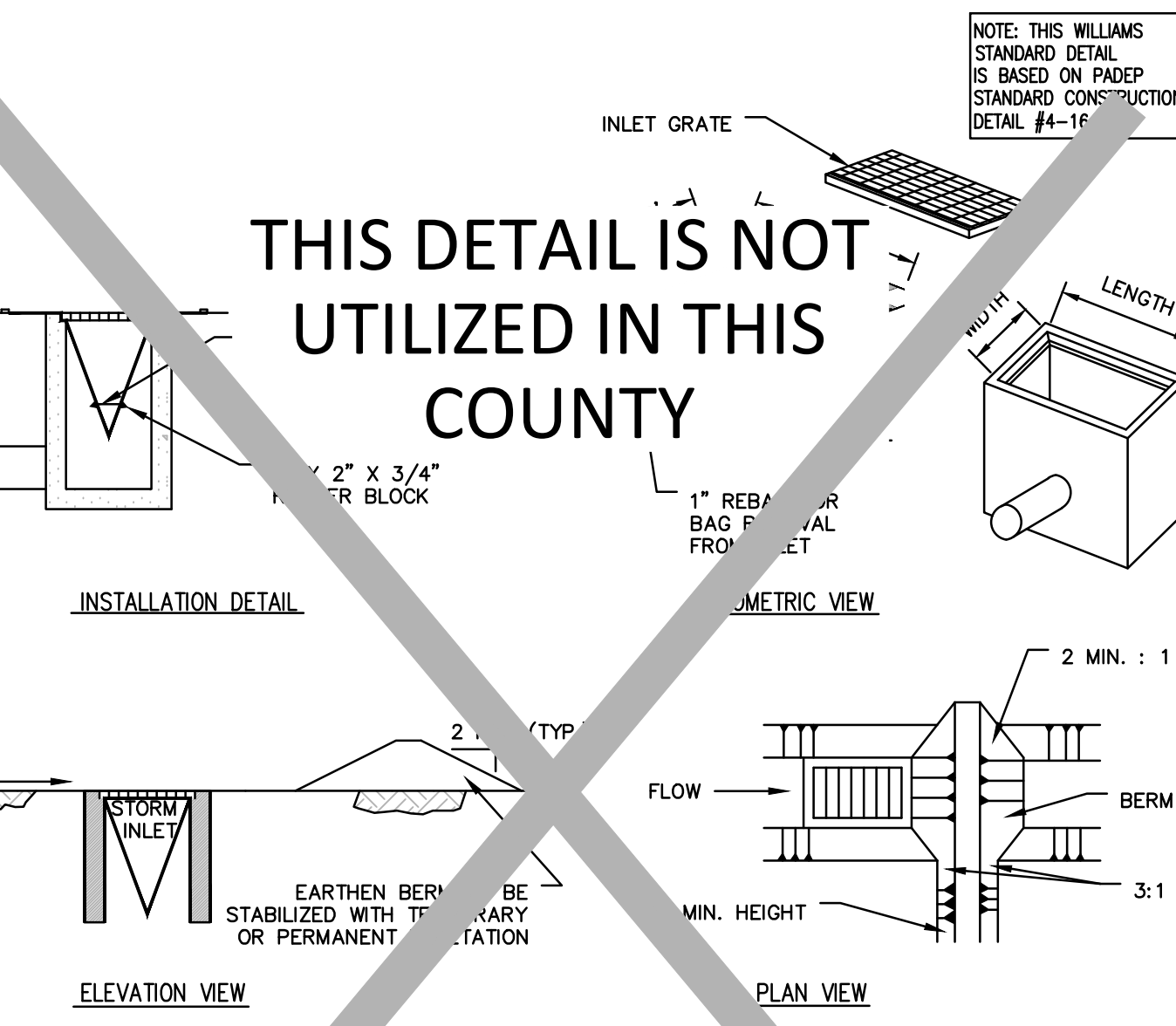
- EROSION AND SEDIMENT CONTROL MEASURES SHALL BE INSPECTED DAILY AND REPAIRED IF NECESSARY.
- INSTALL DIVERSION TRENCHES AT THE BASE OF ALL SLOPES ADJACENT TO THE WATERBODY AND AT 50' FROM WATERBODY BANKS.
- CHEMICALS, FUELS AND LUBRICATING OILS SHALL NOT BE STORED AND EQUIPMENT, EXCEPT FOR PUMPS, SHALL NOT BE REFUELED WITHIN 100 FEET OF THE WATERBODY UNLESS OTHERWISE APPROVED BY THE ENVIRONMENTAL INSPECTOR.
- WATER ACCUMULATING IN THE WORK SPACE SHALL BE PUMPED TO A FILTER BAG PRIOR TO DISCHARGE TO A WATERBODY.
- INSTALL TRENCH BREAKERS ON BOTH SIDES OF THE WATERBODY TO PREVENT DIVERSION OF WATER INTO UPLAND PORTIONS OF THE PIPELINE TRENCH AND TO KEEP ANY ACCUMULATED TRENCH WATER OUT OF THE WATERBODY.
- EXCEPT FOR BLASTING AND OTHER ROCK BREAKING MEASURES, THE CONTRACTOR SHALL COMPLETE IN WATERBODY CONSTRUCTION ACTIVITIES (INCLUDING TRENCHING, PIPE INSTALLATION, BACKFILL AND RESTORATION OF THE WATERBODY CHANNEL CONTOURS) WITHIN 24 HOURS. WATERBODY BANKS AND UNCONSOLIDATED WATERBODY CHANNELS MAY REQUIRE ADDITIONAL RESTORATION AFTER THIS PERIOD.
- TYPICAL PIPELINE BURIAL DEPTH SHALL PROVIDE 5' OF COVER. HOWEVER, IN AREAS OF CONSOLIDATED ROCK, COVER CAN BE REDUCED TO 2' MINIMUM.

- SUPPLEMENTAL PADEP NOTES:
- WATER ACCUMULATING WITHIN THE WORK AREA SHALL BE PUMPED TO A PUMPED WATER FILTER BAG OR SEDIMENT TRAP PRIOR TO DISCHARGING INTO ANY SURFACE WATER.
  - ALL EXCESS EXCAVATED MATERIAL SHALL BE IMMEDIATELY REMOVED FROM THE STREAM CROSSING AREA.
  - ALL DISTURBED AREAS WITHIN 50 FEET OF TOP-OF-BANK SHALL BE BLANKETED OR MATTED WITHIN 24 HOURS OF INITIAL DISTURBANCE FOR MINOR STREAMS OR 48 HOURS OF INITIAL DISTURBANCE FOR MAJOR STREAMS UNLESS OTHERWISE AUTHORIZED. APPROPRIATE STREAM BANK PROTECTION SHALL BE PROVIDED WITHIN THE CHANNEL.

NO.	DATE	BY	REVISION DESCRIPTION	W.D. NO.	CHK.	APP.
			TRANSCONTINENTAL GAS PIPE LINE COMPANY, LLC STANDARD ENVIRONMENTAL DETAIL			
			(FX) FLUME STREAM CROSSING			

NO.	DATE	BY	REVISION DESCRIPTION	W.D. NO.	CHK.	APP.
			TRANSCONTINENTAL GAS PIPE LINE COMPANY, LLC STANDARD ENVIRONMENTAL DETAIL			
			(FX) FLUME STREAM CROSSING (SECTIONS)			

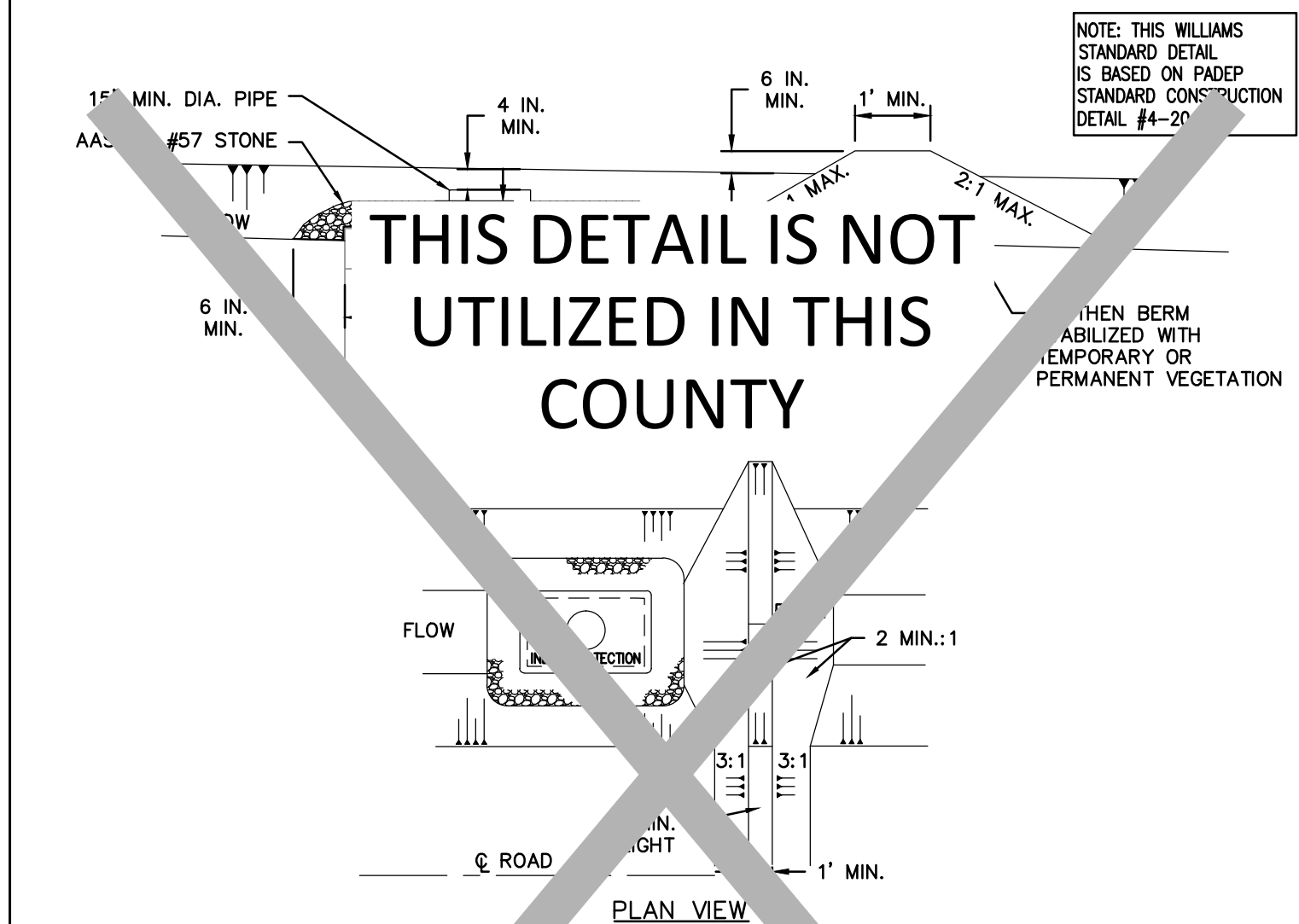
NO.	DATE	BY	REVISION DESCRIPTION	W.D. NO.	CHK.	APP.
			TRANSCONTINENTAL GAS PIPE LINE COMPANY, LLC STANDARD ENVIRONMENTAL DETAIL			
			(HDD) HORIZONTAL DIRECTIONAL DRILL			



THIS DETAIL IS NOT UTILIZED IN THIS COUNTY

- NOTES:
- MAXIMUM DRAINAGE AREA = 1 ACRE.
  - INLET PROTECTION SHALL NOT BE REQUIRED FOR INLET TRIBUTARY TO SEDIMENT BASIN OR TRAP. BERM SHALL BE REQUIRED FOR ALL INSTALLATIONS.
  - ROLLED EARTHEN BERM IN ROADWAY SHALL BE MAINTAINED UNTIL ROADWAY IS STONED. ROAD SUBBASE BERM SHALL BE MAINTAINED UNTIL ROADWAY IS PAVED. EARTHEN BERM IN CHANNEL SHALL BE MAINTAINED UNTIL PERMANENT STABILIZATION IS COMPLETED OR REMAINS PERMANENTLY.
  - AT A MINIMUM, FABRIC SHALL HAVE A MINIMUM GRAB TENSILE STRENGTH OF 120 LBS, A MINIMUM BURST STRENGTH OF 200 PSF, AND A MINIMUM TRAPEZOIDAL TEAR STRENGTH OF 50 LBS. FILTER BAGS SHALL BE CAPABLE OF TRAPPING PARTICLES NOT PASSING A NO. 40 SIEVE.
  - INLET BAGS SHALL BE INSPECTED ON A WEEKLY BASIS AND AFTER EACH RUNOFF EVENT. BAGS SHALL BE EXAMINED AND REPLACED WHEN HALF FULL OR WHEN FLOW CAPACITY HAS BEEN REDUCED SO AS TO CAUSE FLOODING OR PASSING OF BAGS. ALL NEEDED REPAIRS SHALL BE INITIATED IMMEDIATELY AFTER THE INSPECTION. DISPOSE OF ACCUMULATED SEDIMENT AS WELL AS ALL USED BAGS ACCORDING TO THE PLAN NOTES.
  - DO NOT USE ON MAJOR PAVED ROADWAYS WHERE PONDING MAY CAUSE TRAFFIC HAZARDS.

NO.	DATE	BY	REVISION DESCRIPTION	W.D. NO.	CHK.	APP.
			TRANSCONTINENTAL GAS PIPE LINE COMPANY, LLC STANDARD ENVIRONMENTAL DETAIL			
			(IPF) FILTER BAG INLET PROTECTION - TYPE M			

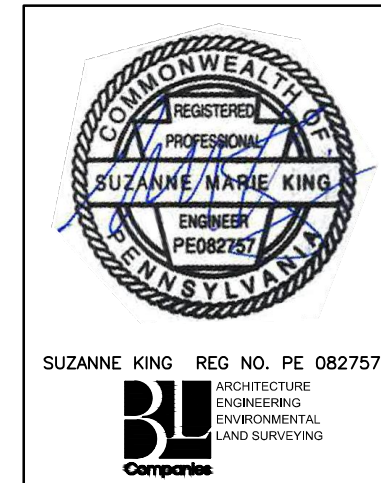


THIS DETAIL IS NOT UTILIZED IN THIS COUNTY

- NOTES:
- INLET PROTECTION SHALL NOT BE REQUIRED FOR INLET TRIBUTARY TO SEDIMENT BASIN OR TRAP. BERMS SHALL BE REQUIRED FOR ALL INSTALLATIONS NOT LOCATED AT A LOW ELEVATION.
  - ROLLED EARTHEN BERM IN ROADWAY SHALL BE PROVIDED AND MAINTAINED IMMEDIATELY DOWN GRADIENT OF THE PROTECTED INLET UNTIL ROADWAY IS STONED. ROAD SUBBASE BERM ON ROADWAY SHALL BE MAINTAINED UNTIL ROADWAY IS PAVED. EARTHEN BERM IN CHANNEL SHALL BE MAINTAINED UNTIL PERMANENT STABILIZATION IS COMPLETED OR TO REMAIN PERMANENTLY.
  - STONE INLET PROTECTION AND BERM FOR A TYPE M INLET CAN BE USED IN ONE ACRE MAXIMUM DRAINAGE AREA WITH 15" OVERFLOW PIPE AND 4" IN. HEAD. A PERFORATED PLATE WELDED TO METAL RISER MAY NOT BE SUBSTITUTED FOR THE WIRE MESH. A SLOTTED PLATE WELDED TO THE RISER MAY BE USED IN CONJUNCTION WITH THE WIRE MESH IF CALCULATIONS ARE PROVIDED TO SHOW SUFFICIENT CAPACITY OF THE INLET TO ACCEPT THE PEAK RUNOFF FOR A 2-YEAR STORM EVENT FROM THE TRIBUTARY DRAINAGE AREA. TOP OF BERM SHALL BE AT LEAST 6 INCHES BELOW ADJACENT ROADWAY IF PONDING WATER WOULD BE A SAFETY HAZARD TO TRAFFIC. EARTHEN BERM SHALL BE ROLLED.
  - BERM SHALL BE REMOVED WHEN IT REACHES HALF THE HEIGHT OF THE STONE. DAMAGED OR CLOGGED INSTALLATIONS SHALL BE REPAIRED OR REPLACED IMMEDIATELY.
  - FOR SYSTEMS DISCHARGING TO HQ OR EV SURFACE WATER, A 6 IN. THICK COMPOST LAYER SHALL BE SECURELY ANCHORED ON OUTSIDE AND OVER TOP OF STONE. COMPOST SHALL MEET THE STANDARDS IN TABLE 4.2 OF THE PA DEP EROSION CONTROL MANUAL.
  - DO NOT USE ON MAJOR PAVED ROADWAYS WHERE PONDING MAY CAUSE TRAFFIC HAZARDS.

NO.	DATE	BY	REVISION DESCRIPTION	W.D. NO.	CHK.	APP.
			TRANSCONTINENTAL GAS PIPE LINE COMPANY, LLC STANDARD ENVIRONMENTAL DETAIL			
			(IPS) STONE AND CONCRETE INLET PROTECTION - TYPE M			

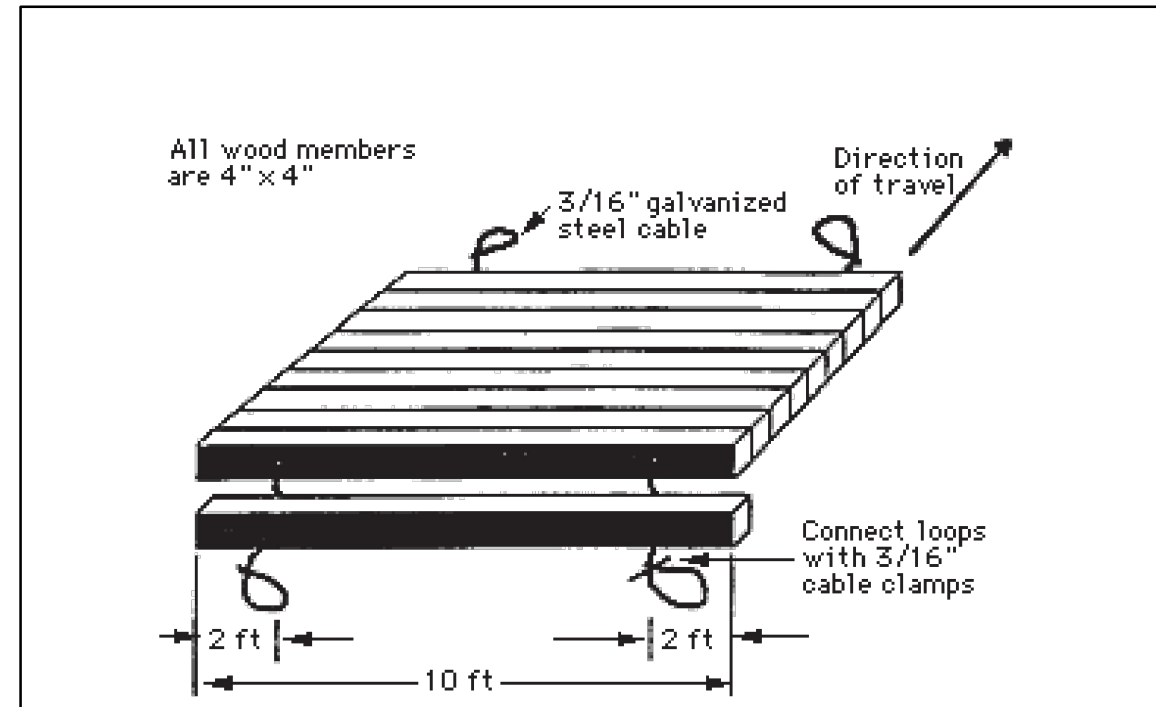
Drawn By & Date/Time: cmastrocristo Nov 13, 2016 2:15pm  
 Drawing Location & Name: G:\OBS1\14C\14C4909\DWG\BMPs&DETAILS\PL\_DNT14C4909(10)\_WY-BMP-04.dwg



REVISIONS						
NO.	DATE	BY	DESCRIPTION	W.D. NO.	CHK.	APP.
0	08/26/2015	BL	ISSUED FOR PADEP SUBMITTAL	W0572385	JLK	SMK
1	12/02/2015	BL	ISSUED FOR PADEP RESUBMITTAL	W0572385	JLK	SMK
2	Oct. 2016	BL	PADEP TECHNICAL DEFICIENCY RESPONSE #1	W0572385	JLK	SMK

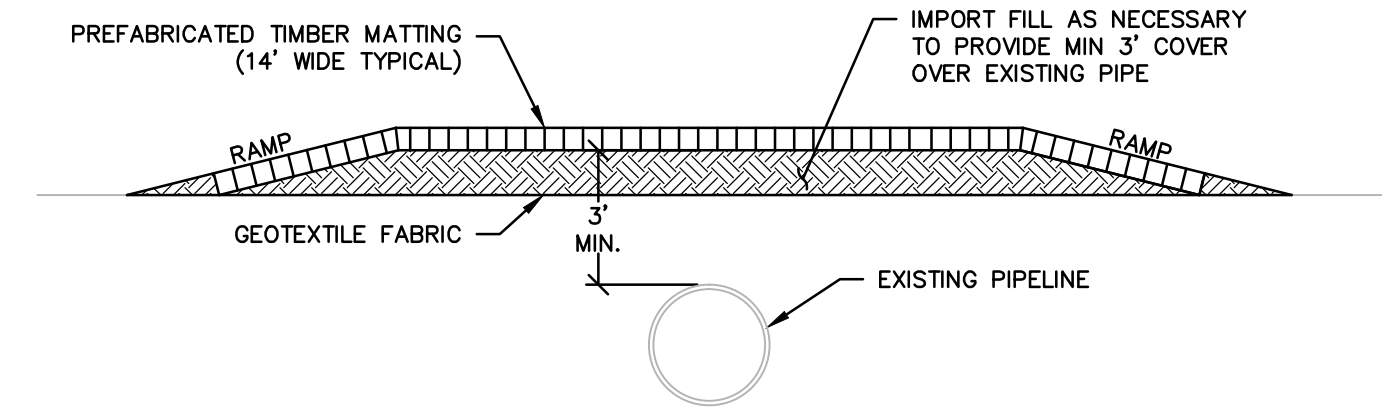
TRANSCONTINENTAL GAS PIPE LINE COMPANY, LLC			
ATLANTIC SUNRISE PROJECT			
BEST MANAGEMENT PRACTICES AND QUANTITIES PLAN SET			
BEST MANAGEMENT PRACTICES DETAILS			
DRAWN BY:	ELZ	DATE:	05/15/15
CHECKED BY:	JLK	DATE:	07/02/15
APPROVED BY:	SMK	DATE:	07/08/15
ISSUED FOR:	ISSUED FOR CONSTRUCTION	SCALE:	
DRAWING NUMBER:	ASR-BMP	REVISION:	2
SHEET:	4	OF:	11

NOTE: THIS WILLIAMS STANDARD DETAIL IS BASED ON PADEP FIGURE 3.07.



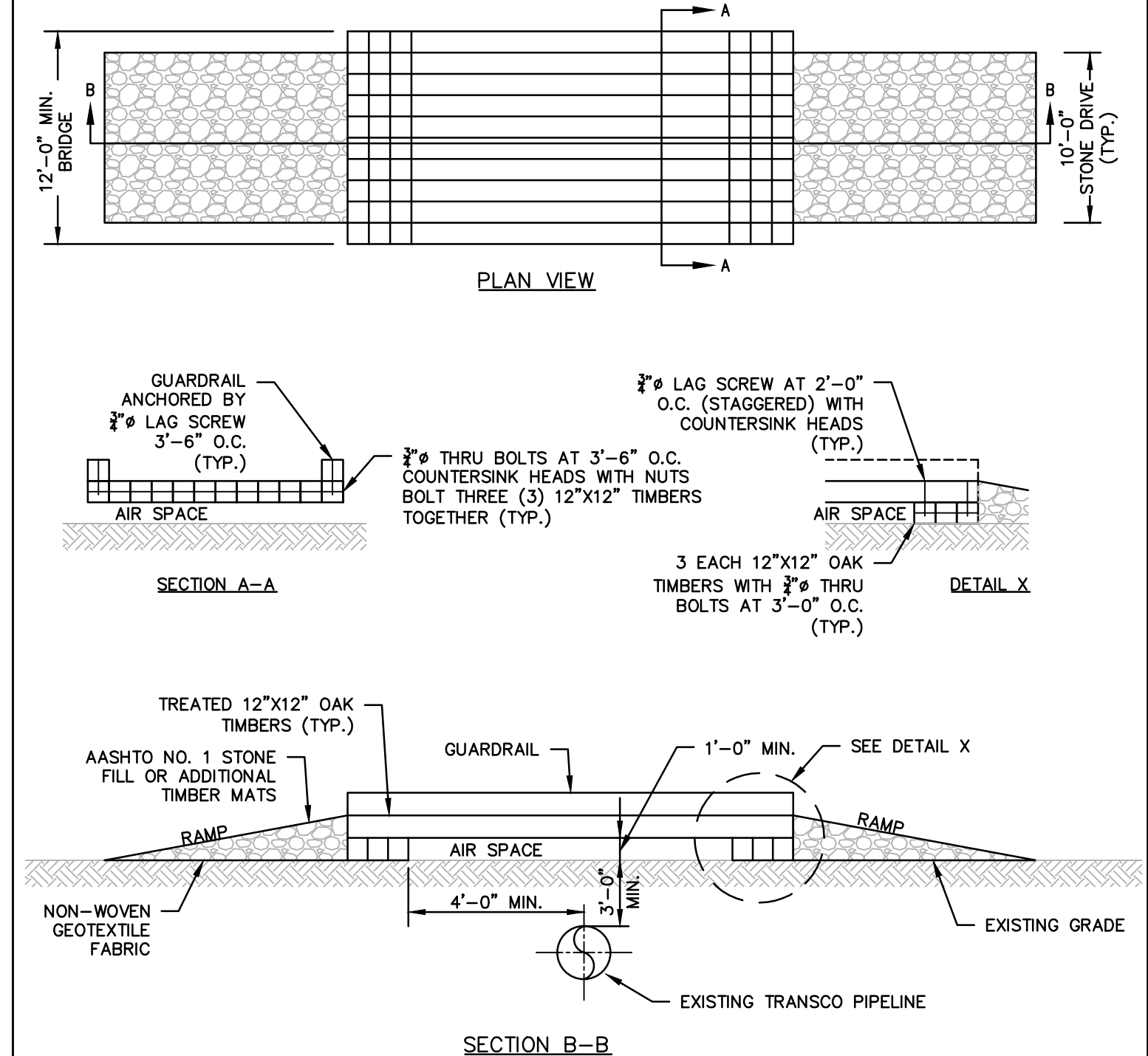
University of Minnesota FS 07009  
A geotextile underlayment shall be used under the wood mat.

NO.	DATE	BY	REVISION DESCRIPTION	W.D. NO.	CHK.	APP.
			TRANSCONTINENTAL GAS PIPE LINE COMPANY, LLC STANDARD ENVIRONMENTAL DETAIL			
			(MAT-1) TIMBER MATTING IN WETLANDS OR AT LOW POINTS			



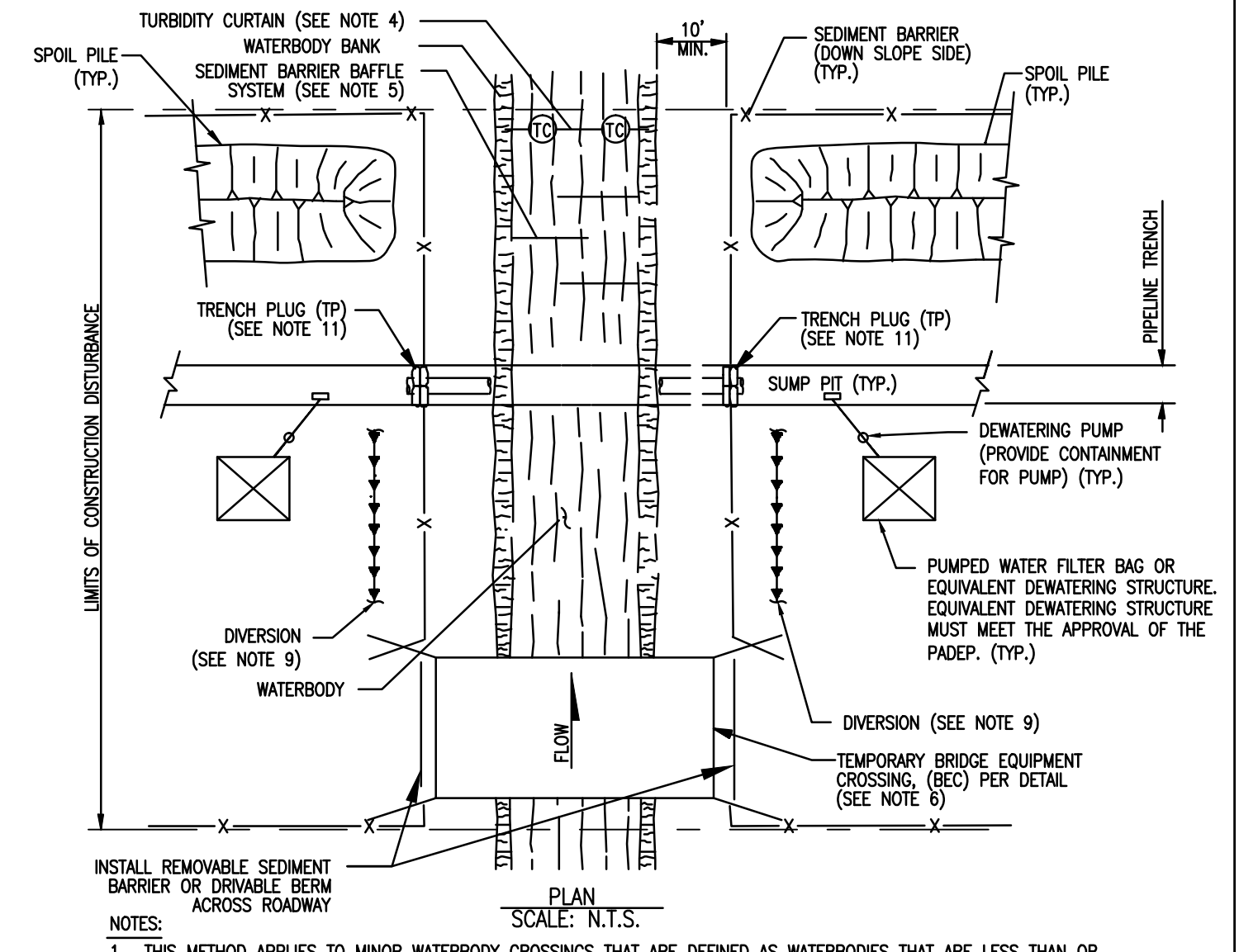
NOTES:  
1. THE CONTRACTOR SHALL COORDINATE WITH THE ENGINEER TO DETERMINE THE NUMBER OF EQUIPMENT MATS REQUIRED.

NO.	DATE	BY	REVISION DESCRIPTION	W.D. NO.	CHK.	APP.
			TRANSCONTINENTAL GAS PIPE LINE COMPANY, LLC STANDARD ENVIRONMENTAL DETAIL			
			(MAT-2) TIMBER MATTING WITH FILL OVER EXISTING PIPELINES			



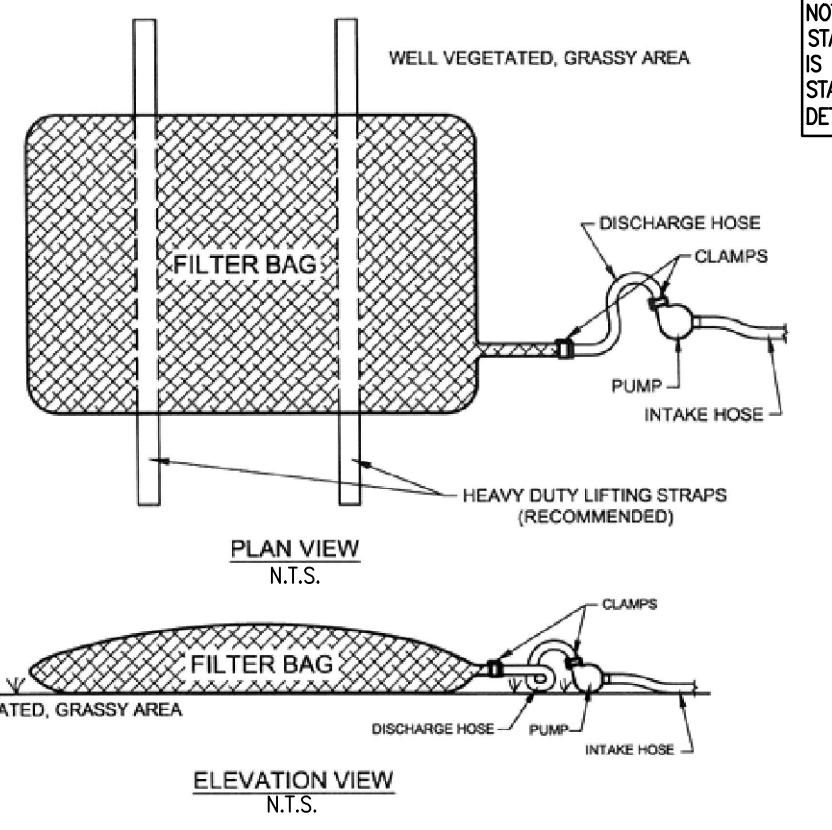
NOTES:  
1. IF STONE USED FOR RAMP, INSTALL 1 (ONE) LAYER OF NON-WOVEN GEOTEXTILE FABRIC PRIOR TO INSTALLING THE STONE.  
2. MINIMUM WIDTH OF BRIDGE IS 12'-0" WITH A 10'-0" WIDE STONE DRIVE.

NO.	DATE	BY	REVISION DESCRIPTION	W.D. NO.	CHK.	APP.
			TRANSCONTINENTAL GAS PIPE LINE COMPANY, LLC STANDARD ENVIRONMENTAL DETAIL			
			(MAT-3) TIMBER MATTING AIR BRIDGE			



NOTES:  
1. THIS METHOD APPLIES TO MINOR WATERBODY CROSSINGS THAT ARE DEFINED AS WATERBODIES THAT ARE LESS THAN OR EQUAL TO 10 FEET AT WATER'S EDGE AT THE TIME OF CROSSING.  
2. SEDIMENT BARRIERS SHALL BE INSTALLED AS DEPICTED AND ALONG DOWN GRADIENT SIDES OF WORK AREAS AND STAGING AREAS SUCH THAT NO HEAVILY SILT LADEN WATER ENTERS THE WATERBODY OR LEAVES THE CONSTRUCTION RIGHT OF WAY.  
3. HARD DITCH PILES MUST REMAIN IN PLACE AT CONJUNCTIVE LOCATIONS TO SEPARATE MAINLINE DITCH FROM THE WATERBODY CROSSING UNTIL THE WATERBODY IS INSTALLED AND BACK FILLED.  
4. INSTALL TURBIDITY CURTAINS DOWNSTREAM OF CROSSING AT EDGE OF WORK CORRIDOR IF STREAM FLOW IS CONDUCTIVE TO SUCH AN INSTALLATION.  
5. IF FLOW OF WATERBODY IS SUCH THAT TURBIDITY CURTAIN CAN NOT BE INSTALLED, THEN INSTALL DOWNSTREAM SEDIMENT BARRIER BAFFLE SYSTEM AS DEPICTED.  
6. EQUIPMENT OPERATING IN THE WATERBODY SHALL BE LIMITED TO THAT NEEDED TO PERFORM CONSTRUCTION. IF OTHER TYPES OF EQUIPMENT MUST CROSS THE WATERBODY, CONTRACTOR SHALL PROVIDE AND USE TEMPORARY STREAM CROSSING (BEC).  
7. STAGING AREA(S) FOR WATERBODY CROSSING(S), WHEN REQUIRED, SHALL BE LOCATED AT LEAST 50 FEET FROM WATER'S EDGE AND SHALL BE OF A MINIMUM SIZE NEEDED FOR CONJUNCTIVE PREPARATION.  
8. EROSION AND SEDIMENT CONTROL MEASURES SHALL BE INSPECTED DAILY AND REPAIRED IF NECESSARY.  
9. INSTALL DIVERSION TRENCHES AT THE BASE OF ALL SLOPES ADJACENT TO THE WATERBODY.  
10. CHEMICALS, FUELS AND LUBRICATING OILS SHALL NOT BE STORED AND EQUIPMENT SHALL NOT BE REFUELED WITHIN 100 FEET OF THE WATERBODY.  
11. INSTALL TRENCH PILES ON BOTH SIDES OF THE WATERBODY TO PREVENT DIVERSION OF WATER INTO UPLAND PORTIONS OF THE PIPELINE TRENCH AND TO KEEP ANY ACCUMULATED TRENCH WATER OUT OF THE WATERBODY.  
12. CONTRACTOR SHALL POSTPONE GRADING OF RIGHT-OF-WAY IMMEDIATELY ADJACENT TO WATERBODY UNTIL STAGING AREA IS PREPARED AND WORK IN THE WATERBODY IS READY TO COMMENCE.  
13. EXCEPT FOR BLASTING AND OTHER ROCK BREAKING MEASURES, COMPLETE IN STREAM CONSTRUCTION ACTIVITIES (INCLUDING TRENCHING, PIPE INSTALLATION, BACKFILL, AND RESTORATION OF THE STREAM BED CONTOURS) WITHIN 24 HOURS. STREAM BANKS AND UNCONSOLIDATED STREAM BEDS MAY REQUIRE ADDITIONAL RESTORATION AFTER THIS PERIOD.

NO.	DATE	BY	REVISION DESCRIPTION	W.D. NO.	CHK.	APP.
			TRANSCONTINENTAL GAS PIPE LINE COMPANY, LLC STANDARD ENVIRONMENTAL DETAIL			
			(MWC) WET MINOR WATERBODY CROSSING			



NOTE: THIS WILLIAMS STANDARD DETAIL IS BASED ON PADEP STANDARD CONSTRUCTION DETAIL #3-16.

LOW VOLUME FILTER BAGS SHALL BE MADE FROM NON-WOVEN GEOTEXTILE MATERIAL SEWN WITH HIGH STRENGTH, DOUBLE STITCHED 'J' TYPE. THEY SHALL BE CAPABLE OF TRAPPING PARTICLES LARGER THAN 150 MICRONS. HIGH VOLUME FILTER BAGS MAY BE MADE FROM WOVEN GEOTEXTILES THAT MEET THE FOLLOWING STANDARDS:

PROPERTY	TEST METHOD	MINIMUM STANDARD
AVG. WIDE WIDTH STRENGTH	ASTM D-4884	60 LB/IN
GRAB TENSILE	ASTM D-4832	205 LB
PUNCTURE	ASTM D-4833	110 LB
MULLEN BURST	ASTM D-3786	350 PSI
UV RESISTANCE	ASTM D-4355	70%
AO5 % RETAINED	ASTM D-4751	80 SIEVE

A SUITABLE MEANS OF ACCESSING THE BAG WITH MACHINERY REQUIRED FOR DISPOSAL PURPOSES MUST BE PROVIDED. FILTER BAGS SHALL BE REPLACED WHEN THEY BECOME 1/2 FULL OF SEDIMENT. SPARE BAGS SHALL BE KEPT AVAILABLE FOR REPLACEMENT OF THOSE THAT HAVE FAILED OR ARE FILLED. BAGS TO BE PLACED ON STRAPS TO FACILITATE REMOVAL UNLESS BAGS COME WITH LIFTING STRAPS ALREADY ATTACHED.

BAGS SHALL BE LOCATED IN WELL-VEGETATED (GRASSY) AREA, AND DISCHARGE ONTO STABLE, EROSION RESISTANT AREAS. WHERE THIS IS NOT POSSIBLE, A GEOTEXTILE UNDERLAYMENT AND FLOW PATH SHALL BE PROVIDED. BAGS MAY BE PLACED ON FILTER STONE TO INCREASE DISCHARGE CAPACITY. BAGS SHALL NOT BE PLACED ON SLOPES GREATER THAN 5%. FOR SLOPES EXCEEDING 5%, CLEAN ROCK OR OTHER NON-ERODIBLE AND NON-POLLUTING MATERIAL MAY BE PLACED UNDER THE BAG TO REDUCE SLOPE STEEPNESS.

NO DOWNSLOPE SEDIMENT BARRIER IS REQUIRED FOR MOST INSTALLATIONS. COMPOST BERM OR COMPOST FILTER SOCK SHALL BE INSTALLED BELOW BAGS LOCATED IN HO OR EV WATERSHEDS, WITHIN 50 FEET OF ANY RECEIVING SURFACE WATER OR WHERE GRASSY AREA IS NOT AVAILABLE.

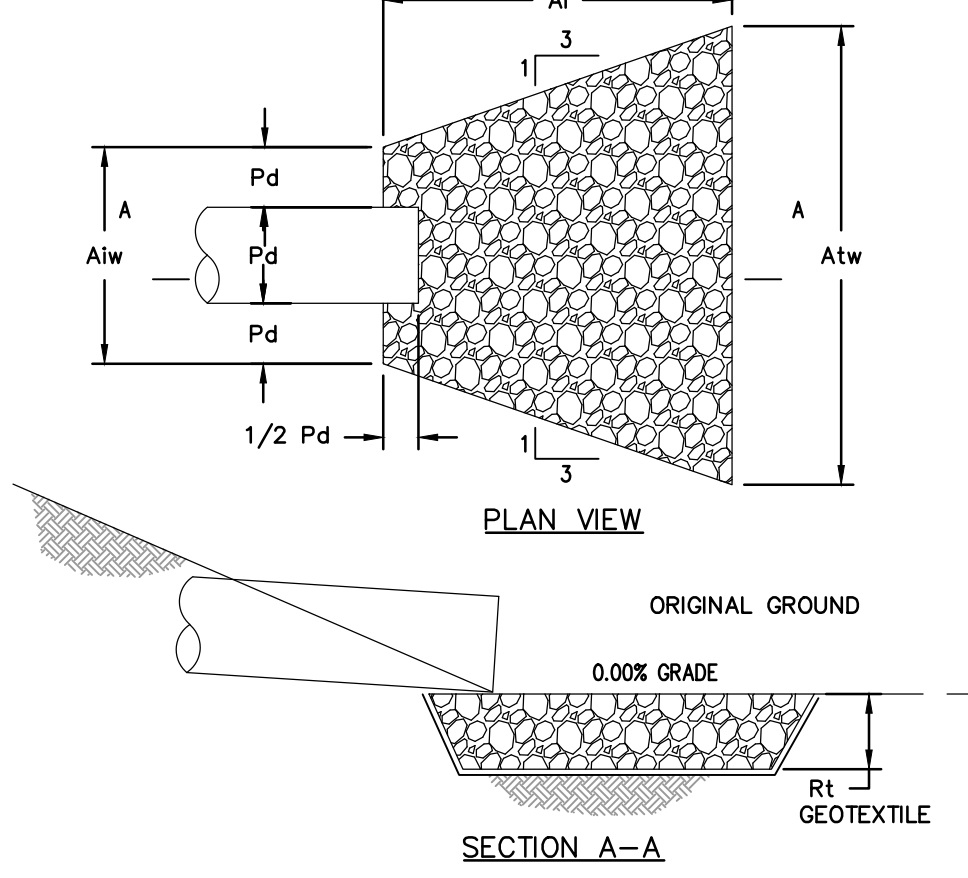
THE PUMP DISCHARGE HOSE SHALL BE INSERTED INTO THE BAGS IN THE MANNER SPECIFIED BY THE MANUFACTURER AND SECURELY CLAMPED. A PIECE OF PVC PIPE IS RECOMMENDED FOR THIS PURPOSE.

THE PUMPING RATE SHALL BE NO GREATER THAN 750 GPM OR 1/2 THE MAXIMUM SPECIFIED BY THE MANUFACTURER, WHICHEVER IS LESS. PUMP INTAKES SHALL BE FLOATING AND SCREENED.

FILTER BAGS SHALL BE INSPECTED DAILY. IF ANY PROBLEM IS DETECTED, PUMPING SHALL CEASE IMMEDIATELY AND NOT RESUME UNTIL THE PROBLEM IS CORRECTED.

ADAPTED FROM PADEP

NO.	DATE	BY	REVISION DESCRIPTION	W.D. NO.	CHK.	APP.
			TRANSCONTINENTAL GAS PIPE LINE COMPANY, LLC STANDARD ENVIRONMENTAL DETAIL			
			(PWB) PUMP WATER FILTER BAG			



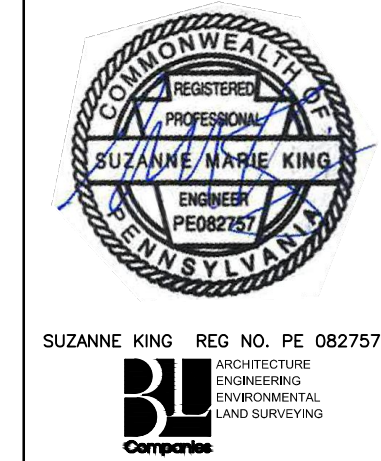
NOTE: THIS WILLIAMS STANDARD DETAIL IS BASED ON PADEP STANDARD CONSTRUCTION DETAIL #9-2.

OUTLET NO.	PIPE DIA PD (IN)	RIPRAP		APRON	
		SIZE (R-)	THICK. Rt (IN)	LENGTH AI (FT)	TERMINAL WIDTH Atw (FT)

\* ALL INFORMATION CAN BE FOUND ON ACCESS ROAD AND EROSION AND SEDIMENT CONTROL PLANS. REFER TO NOTES 4 AND 5 FOR DIMENSION LOCATIONS.

NOTES:  
1. ALL APRONS SHALL BE CONSTRUCTED TO THE DIMENSIONS SHOWN ON THE PLANS. TERMINAL WIDTHS SHALL BE ADJUSTED AS NECESSARY TO MATCH RECEIVING CHANNELS.  
2. ALL APRONS SHALL BE INSPECTED AT LEAST WEEKLY AND AFTER EACH RUNOFF EVENT. DISPLACED RIPRAP WITHIN THE APRON SHALL BE REPLACED IMMEDIATELY.  
3. EXTEND RIPRAP ON BACK SIDE OF APRON TO AT LEAST 1/2 DEPTH OF PIPE ON BOTH SIDES TO PREVENT SCOUR AROUND THE PIPE.  
4. FOR APRONS ON ACCESS ROADS, THE DIMENSIONS FOR THE APRONS ARE GIVEN AS FOLLOWS: L x D x W/W WHERE: L = LENGTH OF APRON OR "AI" AS SHOWN IN THE PLAN VIEW ABOVE  
D = DEPTH OF RIP RAP OR "Rt" AS SHOWN IN THE SECTION ABOVE  
W/W = WIDTH OF SHORT END OF APRON/WIDTH OF LONG END OF APRON OR "Aiw"/"Atw" AS SHOWN IN THE PLAN VIEW ABOVE  
5. FOR APRONS ON SWALES AND FLUME CROSSINGS, THE DIMENSIONS FOR THE APRONS ARE AS FOLLOWS: DIMENSIONS LOCATED ON TABLE 2: TEMPORARY CLEAN WATER DIVERSION SUMMARY:  
a. RIP RAP SIZE (R-) UNDER WATERBODY AND FLUME (CLEAN WATER CROSSING)  
b. APRON INITIAL WIDTH (Aiw) IS EQUAL TO BOTTOM WIDTH OF DIVERSION SWALES AND IS TWO FEET FOR FILTER SOCK DIVERSIONS.  
c. APRON TERMINAL WIDTH (Atw) IS EQUAL TO LEVEL SPREADER LENGTH DIMENSIONS LOCATED ON CLEAN WATER CROSSING DETAIL  
d. RIP RAP THICKNESS (Rt)  
e. APRON LENGTH (AI)

NO.	DATE	BY	REVISION DESCRIPTION	W.D. NO.	CHK.	APP.
			TRANSCONTINENTAL GAS PIPE LINE COMPANY, LLC STANDARD ENVIRONMENTAL DETAIL			
			(RAO) RIP RAP APRON AT PIPE OUTLET WITHOUT FLARED END SECTION			



REVISIONS					
NO.	DATE	BY	DESCRIPTION	W.D. NO.	CHK. APP.
0	08/28/2015	BL	ISSUED FOR PADEP SUBMITTAL	W0572385	JLK SMK
1	12/02/2015	BL	ISSUED FOR PADEP RESUBMITTAL	W0572385	JLK SMK
2	Oct. 2016	BL	PADEP TECHNICAL DEFICIENCY RESPONSE #1	W0572385	JLK SMK

TRANSCONTINENTAL GAS PIPE LINE COMPANY, LLC ATLANTIC SUNRISE PROJECT					
BEST MANAGEMENT PRACTICES AND QUANTITIES PLAN SET					
BEST MANAGEMENT PRACTICES DETAILS					
DRAWN BY:	ELZ	DATE:	05/15/15	ISSUED FOR BID:	SCALE:
CHECKED BY:	JLK	DATE:	07/02/15	ISSUED FOR CONSTRUCTION:	REVISION:
APPROVED BY:	SMK	DATE:	07/08/15	DRAWING NUMBER:	ASR-BMP
W.D.:					



Drawn By & Date/Time: cmastroano Nov 13, 2016 2:16pm  
Drawing Location & Name: G:\0851\4\14C\14C4909\DWG\BMP&QDETAILS\PL\_DNT14C4909(10)\_.WY-BMP-05.dwg

**TABLE 6.6**  
Riprap Gradation, Filter Blanket Requirements, Maximum Velocities

Class, Size No. Rock Size (Inches)	Percent Passing (Square Openings)					
	R-8	R-7	R-6	R-5	R-4	R-3
42	100					
30		100				
24	15-50		100			
18		15-50		100		
15	0-15				100	
12		0-15	15-50		100	
9				15-50		
6			0-15		15-50	100
4				0-15		
3					0-15	15-50
2						0-15
Nominal Placement Thickness (Inches)	63	45	36	27	18	9
Filter Stone <sup>1</sup>	AASHTO #1	AASHTO #1	AASHTO #1	AASHTO #3	AASHTO #3	AASHTO #57
V <sub>max</sub> (ft/sec)	17.0	14.5	13.0	11.5	9.0	6.5

Adapted from PennDOT Pub. 408, Section 703.2(c), Table C

<sup>1</sup> This is a general standard. Soil conditions at each site should be analyzed to determine actual filter size. A suitable woven or non-woven geotextile underlayment, used according to the manufacturer's recommendations, may be substituted for the filter stone for gradients < 10%.

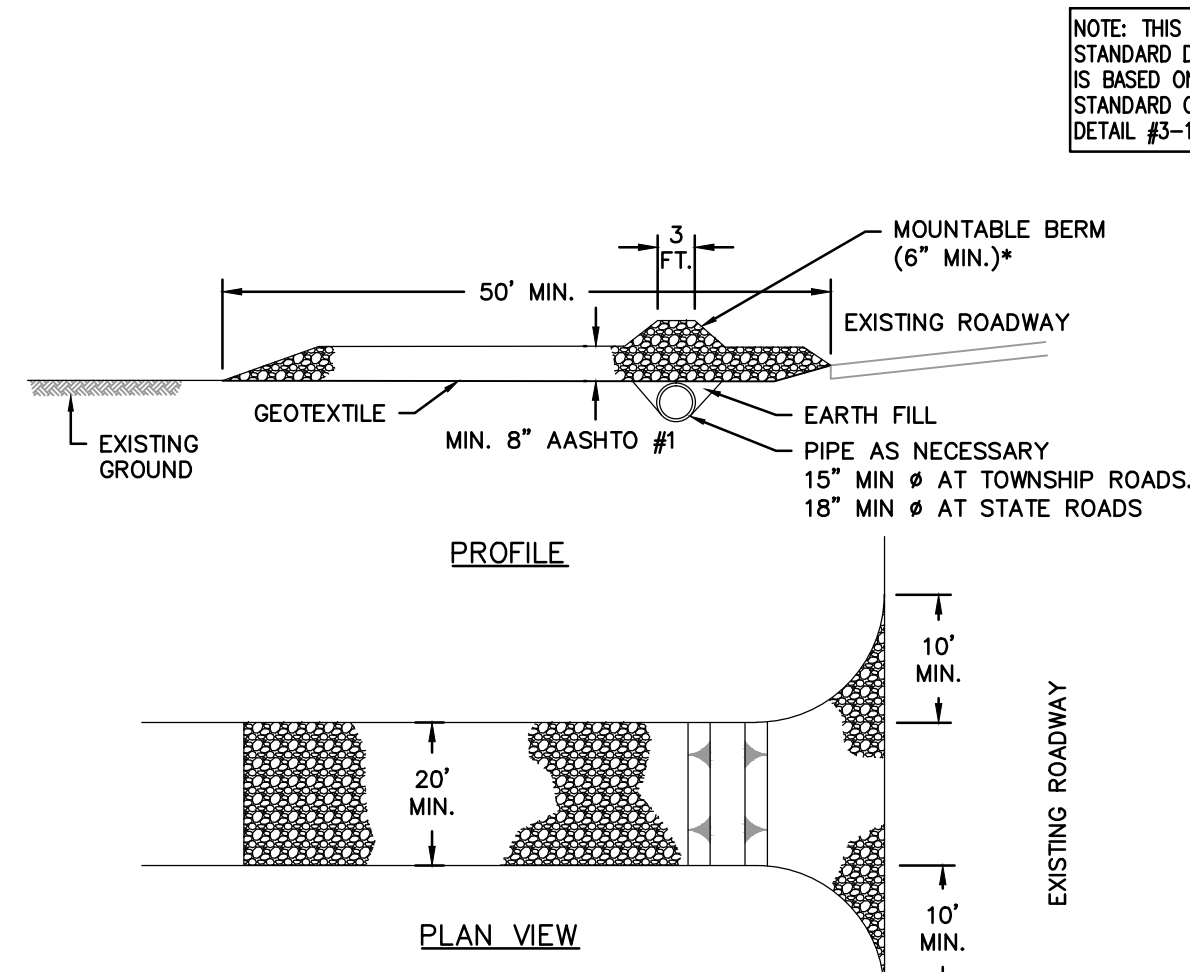
**TABLE 6.7**  
Comparison of Various Gradations of Coarse Aggregates

AASHTO NUMBER	Total Percent Passing													
	6"	4"	3 1/2"	2 1/2"	2"	1 1/2"	1"	3/4"	3/8"	#4	#8	#16	#30	#100
1	100	90-100	25-60	0-15	0-15	0-5	0-5							
3			100	90-100	35-70	0-15	0-5	0-5						
5					100	90-100	20-55	0-10	0-5					
57					100	90-100	25-60			0-10	0-5			
67					100	90-100		20-55	0-10	0-5				
7					100	90-100	40-70	0-15	0-5					
8						100	85-100	10-30	0-10	0-5				
10							100	75-100					10-30	

PennDOT Publication 408, Section 703.2(c), Table C

Tables 6.6 and 6.7 should be placed on the plan drawings of all sites where riprap channel linings are proposed.

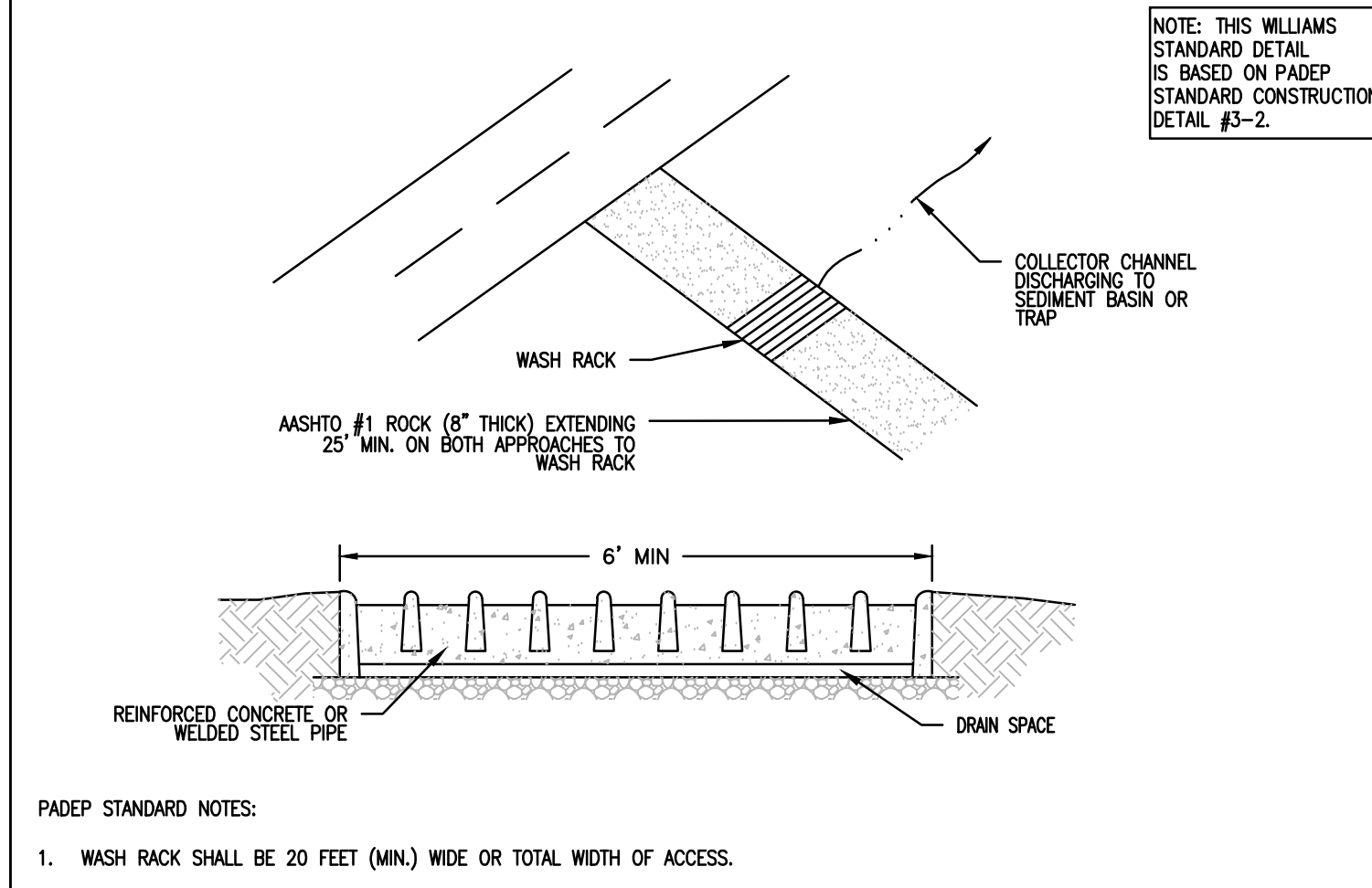
NO.	DATE	BY	REVISION DESCRIPTION	W.D. NO.	CHK.	APP.
			TRANSCONTINENTAL GAS PIPE LINE COMPANY, LLC STANDARD ENVIRONMENTAL DETAIL			
			(RAP) RIP RAP GRADATION			



NOTE: THIS WILLIAMS STANDARD DETAIL IS BASED ON PADEP STANDARD CONSTRUCTION DETAIL #3-1.

- NOTES:**
- REMOVE TOPSOIL PRIOR TO INSTALLATION OF ROCK CONSTRUCTION ENTRANCE. EXTEND ROCK OVER FULL WIDTH OF ENTRANCE.
  - RUNOFF SHALL BE DIVERTED FROM ROADWAY TO A SUITABLE SEDIMENT REMOVAL BMP PRIOR TO ENTERING ROCK CONSTRUCTION ENTRANCE.
  - MOUNTABLE BERM SHALL BE INSTALLED WHEREVER OPTIONAL CULVERT PIPE IS USED AND PROPER PIPE COVER AS SPECIFIED BY MANUFACTURER IS NOT OTHERWISE PROVIDED. PIPE SHALL BE SIZED APPROPRIATELY FOR SIZE OF DITCH BEING CROSSED.
  - MAINTENANCE: ROCK CONSTRUCTION ENTRANCE THICKNESS SHALL BE CONSTANTLY MAINTAINED TO THE SPECIFIED DIMENSIONS BY ADDING ROCK. A STOCKPILE OF ROCK SHALL BE MAINTAINED ON SITE FOR THIS PURPOSE. ALL SEDIMENT DEPOSITED ON PAVED ROADWAYS SHALL BE REMOVED AND RETURNED TO THE CONSTRUCTION SITE IMMEDIATELY. IF EXCESSIVE AMOUNTS OF SEDIMENT ARE BEING DEPOSITED ON ROADWAY, EXTEND LENGTH OF ROCK CONSTRUCTION ENTRANCE BY 50 FOOT INCREMENTS UNTIL CONDITION IS ALLEVIATED OR INSTALL WASH RACK. WASHING THE ROADWAY OR SWEEPING THE DEPOSITS INTO ROADWAY DITCHES, SEWERS, CULVERTS, OR OTHER DRAINAGE COURSES IS NOT ACCEPTABLE.
  - RCE WITH WASH RACK, SEE DETAIL ROW, TO BE INSTALLED IN, OR WITHIN 100 FEET OF, SPECIAL PROTECTION WATERSHEDS AS WELL AS WITHIN 50 FEET OF WETLANDS.
  - WITHIN WETLANDS RCE AND/OR RCE WITH WASHRACK SHALL BE REPLACED WITH TIMBER MAT AND CLASS 1 GEOTEXTILE UNDERLAYMENT.

NO.	DATE	BY	REVISION DESCRIPTION	W.D. NO.	CHK.	APP.
			TRANSCONTINENTAL GAS PIPE LINE COMPANY, LLC STANDARD ENVIRONMENTAL DETAIL			
			(RCE) ROCK CONSTRUCTION ENTRANCE			

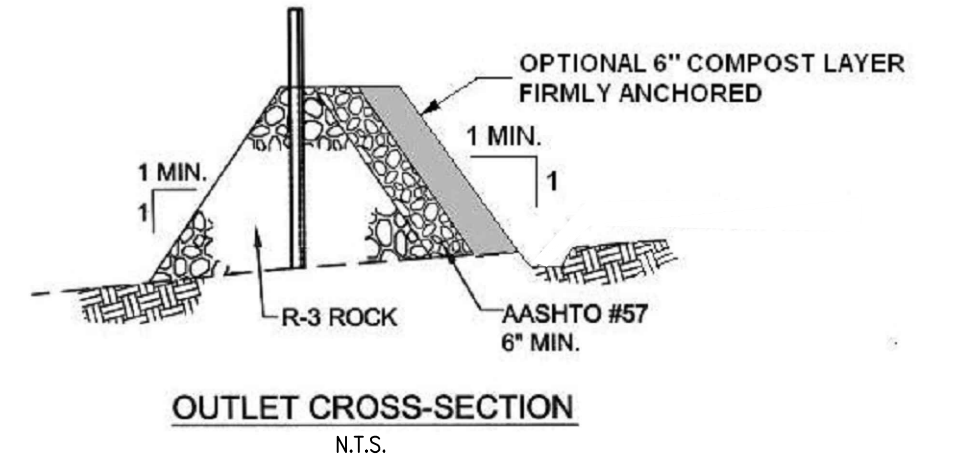


NOTE: THIS WILLIAMS STANDARD DETAIL IS BASED ON PADEP STANDARD CONSTRUCTION DETAIL #3-2.

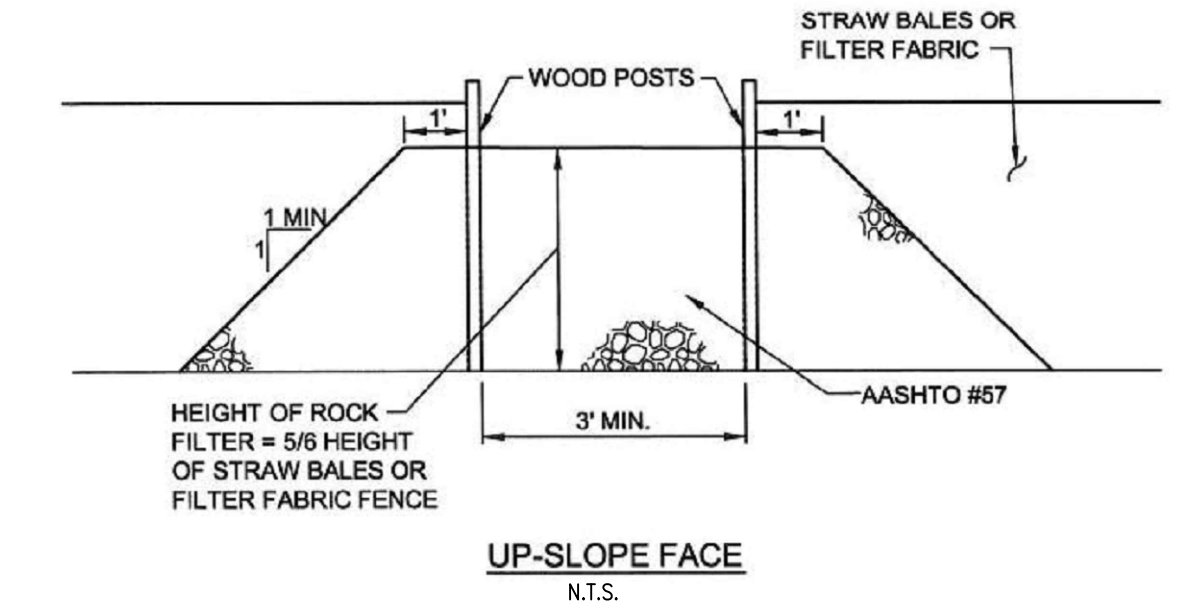
- PADEP STANDARD NOTES:**
- WASH RACK SHALL BE 20 FEET (MIN.) WIDE OR TOTAL WIDTH OF ACCESS.
  - WASH RACK SHALL BE DESIGNED AND CONSTRUCTED TO ACCOMMODATE ANTICIPATED CONSTRUCTION VEHICULAR TRAFFIC.
  - A WATER SUPPLY SHALL BE MADE AVAILABLE TO WASH THE WHEELS OF ALL VEHICLES EXITING THE SITE.
  - MAINTENANCE: ROCK CONSTRUCTION ENTRANCE THICKNESS SHALL BE CONSTANTLY MAINTAINED TO THE SPECIFIED DIMENSIONS BY ADDING ROCK. A STOCKPILE OF ROCK MATERIAL SHALL BE MAINTAINED ON SITE FOR THIS PURPOSE. DRAIN SPACE UNDER WASH RACK SHALL BE KEPT OPEN AT ALL TIMES. DAMAGE TO THE WASH RACK SHALL BE REPAIRED PRIOR TO FURTHER USE OF THE RACK. ALL SEDIMENT DEPOSITED ON ROADWAYS SHALL BE REMOVED AND RETURNED TO THE CONSTRUCTION SITE IMMEDIATELY. WASHING THE ROADWAY OR SWEEPING THE DEPOSITS INTO ROADWAY DITCHES, SEWERS, CULVERTS, OR OTHER DRAINAGE COURSES IS NOT ACCEPTABLE.

- SUPPLEMENTAL NOTES:**
- RCE TO BE INSTALLED IN, OR WITHIN 100 FEET OF, SPECIAL PROTECTION WATERSHEDS AS WELL AS WITHIN 50 FEET OF WETLANDS.
  - WASH RACK SHALL BE INSTALLED IN COORDINATION WITH THE NOXIOUS AND INVASIVE PLANT MANAGEMENT PLAN. ALTERNATIVE WHEEL WASHING METHODS, SUCH AS PRESSURE WASHING, BRUSHING, OR USE OF COMPRESSED AIR AND/OR AN ELEVATED WASH RACK, MAY BE USED IN CERTAIN LOCATIONS DEPENDING ON THE ANTICIPATED SEDIMENT AND LOCAL VEGETATION.
  - VACUUM SWEEPING MAY BE USED TO MITIGATE THE SPREAD OF SEDIMENT BEYOND THE RCEs. RCEs WILL BE INSPECTED FOR SEDIMENT TRACKING ONTO PUBLIC ROADWAYS. IF SEDIMENT IS OBSERVED IN THE PUBLIC ROADWAY, THE ROADWAY SHALL BE VACUUM SWEEPED UPON DISCOVERY. ANY LARGE CLUMPS OF DIRT THAT ACCUMULATE ON THE ROAD SURFACE WILL NEED TO BE HAND CLEARED BEFORE VACUUM SWEEPING. ALL VEHICLES LEAVING THE RCE SHALL BE INSPECTED FOR LARGE CLUMPS OF DEBRIS. IF DEBRIS, LARGER THAN 1" DIAMETER IS OBSERVED, IT SHALL BE MANUALLY REMOVED FROM THE VEHICLE. DIRT ROADS SHALL BE INSPECTED WEEKLY FOR RUTTING. THERE SHALL BE NO MORE THAN A MAXIMUM OF 6" OF RUTTING ON ACCESS ROADS. IF RUTTING IN EXCESS OF 6" IS OBSERVED, THE ROAD SHALL BE ROLLED AS SOON AS FEASIBLE. DUMP TRUCKS HAULING MATERIAL FROM RCEs IN SPECIAL PROTECTION WATERSHEDS WILL BE COVERED WITH A TARPULIN.
  - WITHIN WETLANDS RCE AND/OR RCE WITH WASHRACK SHALL BE REPLACED WITH TIMBER MAT AND CLASS 1 GEOTEXTILE UNDERLAYMENT.

NO.	DATE	BY	REVISION DESCRIPTION	W.D. NO.	CHK.	APP.
			TRANSCONTINENTAL GAS PIPE LINE COMPANY, LLC STANDARD ENVIRONMENTAL DETAIL			
			(RCW) ROCK CONSTRUCTION ENTRANCE WITH WASH RACK			

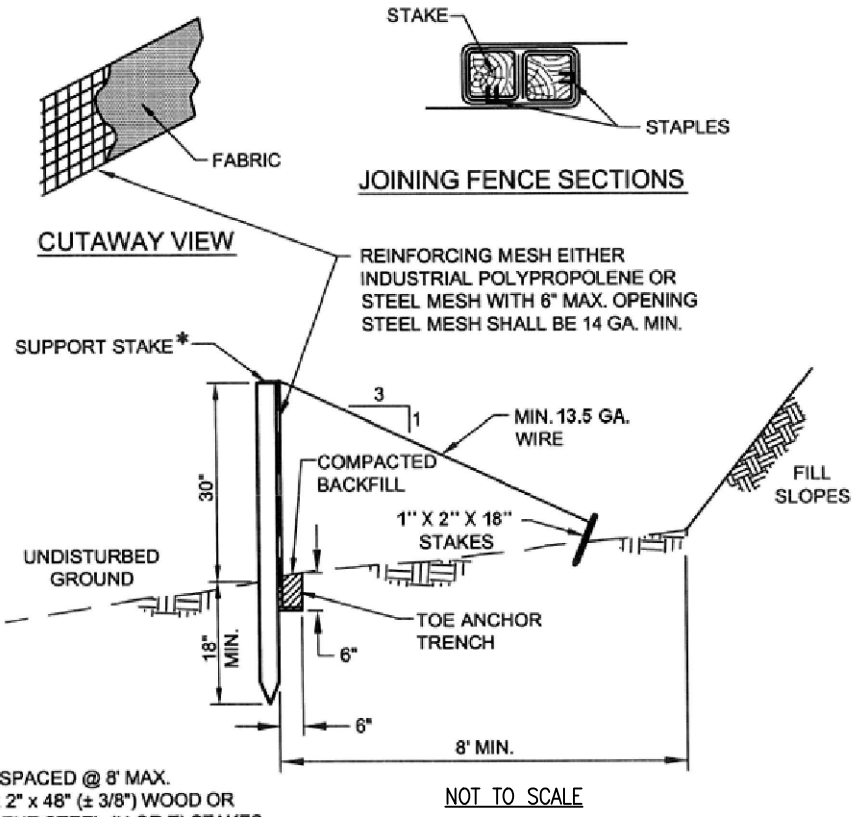


NOTE: THIS WILLIAMS STANDARD DETAIL IS BASED ON PADEP STANDARD CONSTRUCTION DETAIL #4-6.



- ADAPTED FROM MARYLAND DOE NOTES:**
- A ROCK FILTER OUTLET SHALL BE INSTALLED WHERE FAILURE OF A STRAW BALE BARRIER OR FILTER FABRIC FENCE HAS OCCURRED DUE TO CONCENTRATED FLOW.
  - SEDIMENT MUST BE REMOVED WHEN ACCUMULATIONS REACH 1/3 THE HEIGHT OF THE OUTLET.
- PADEP SUPPLEMENTAL NOTE:**
- ANCHORED COMPOST LAYER SHALL BE USED ON UP SLOPE FACE IN HQ AND EV WATERSHEDS.

NO.	DATE	BY	REVISION DESCRIPTION	W.D. NO.	CHK.	APP.
			TRANSCONTINENTAL GAS PIPE LINE COMPANY, LLC STANDARD ENVIRONMENTAL DETAIL			
			(RFO) ROCK FILTER OUTLET			



NOTE: THIS WILLIAMS STANDARD DETAIL IS BASED ON PADEP STANDARD CONSTRUCTION DETAIL #4-8.

AT A MINIMUM, THE FABRIC SHALL HAVE THE FOLLOWING PROPERTIES:

FABRIC PROPERTY	MINIMUM ACCEPTABLE VALUE	TEST METHOD
GRAB TENSILE STRENGTH (LB)	120	ASTM D1682
ELONGATION AT FAILURE (%)	20% MAX.	ASTM D1682
MULLEN BURST STRENGTH (PS)	200	ASTM D 3786
TRAPEZOIDAL TEAR STRENGTH (LB)	50	ASTM 5141
PUNCTURE STRENGTH (LB)	40	ASTM D 751 (MODIFIED)
SLURRY FLOW RATE (GAL/MIN/SF)	0.3	ASTM 5141
EQUIVALENT OPENING SIZE	30	US STD. SIEVE CW-02215
ULTRAVIOLET RADIATION STABILITY (%)	80	ASTM G-26

ADAPTED FROM NEW YORK DEC AND PENN-DOT PUB 408

MAXIMUM SLOPE LENGTHS FOR REINFORCED SILT FENCE:

SLOPE-PERCENT	MAXIMUM SLOPE LENGTH (FT)
2 (OR LESS)	500
5	250
10	150
15	100
20	70
25	55
30	45
35	40
40	35
45	30
50	25

- FABRIC WIDTH SHALL BE 42" MINIMUM. STAKES SHALL BE HARDWOOD OR EQUIVALENT STEEL (1/2" OR 1" STAKES). 18" SUPPORT STAKE SHALL BE DRIVEN 12" MIN. INTO UNDISTURBED GROUND.
- SILT FENCE SHALL BE INSTALLED AT EXISTING LEVEL GRADE. BOTH ENDS OF EACH FENCE SECTION SHALL BE EXTENDED AT LEAST 6 FEET UPSLOPE AT 45 DEGREES TO THE MAIN FENCE ALIGNMENT.
- SEDIMENT SHALL BE REMOVED WHERE ACCUMULATIONS REACH 1/2 THE ABOVE GROUND HEIGHT OF THE FENCE.
- ANY SECTION OF SILT FENCE WHICH HAS BEEN UNDERMINED OR TOPPED SHALL BE IMMEDIATELY REPLACED WITH A ROCK FILTER OUTLET (RFO).
- FENCE SHALL BE REMOVED AND PROPERLY DISPOSED OF WHEN TRIBUTARY AREA IS PERMANENTLY STABILIZED.
- SILT FENCE SHOULD BE PLACED ON CONTOURS TO THE EXTENT PRACTICAL. SILT FENCE SHOULD NOT BE USED TO DELINEATE THE LIMITS OF THE CONSTRUCTION RIGHT-OF-WAY.
- SILT FENCE IS NOT ALLOWED IN CERTAIN SPECIAL PROTECTION WATERSHEDS; COMPOST FILTER SOCKS SHALL BE USED.

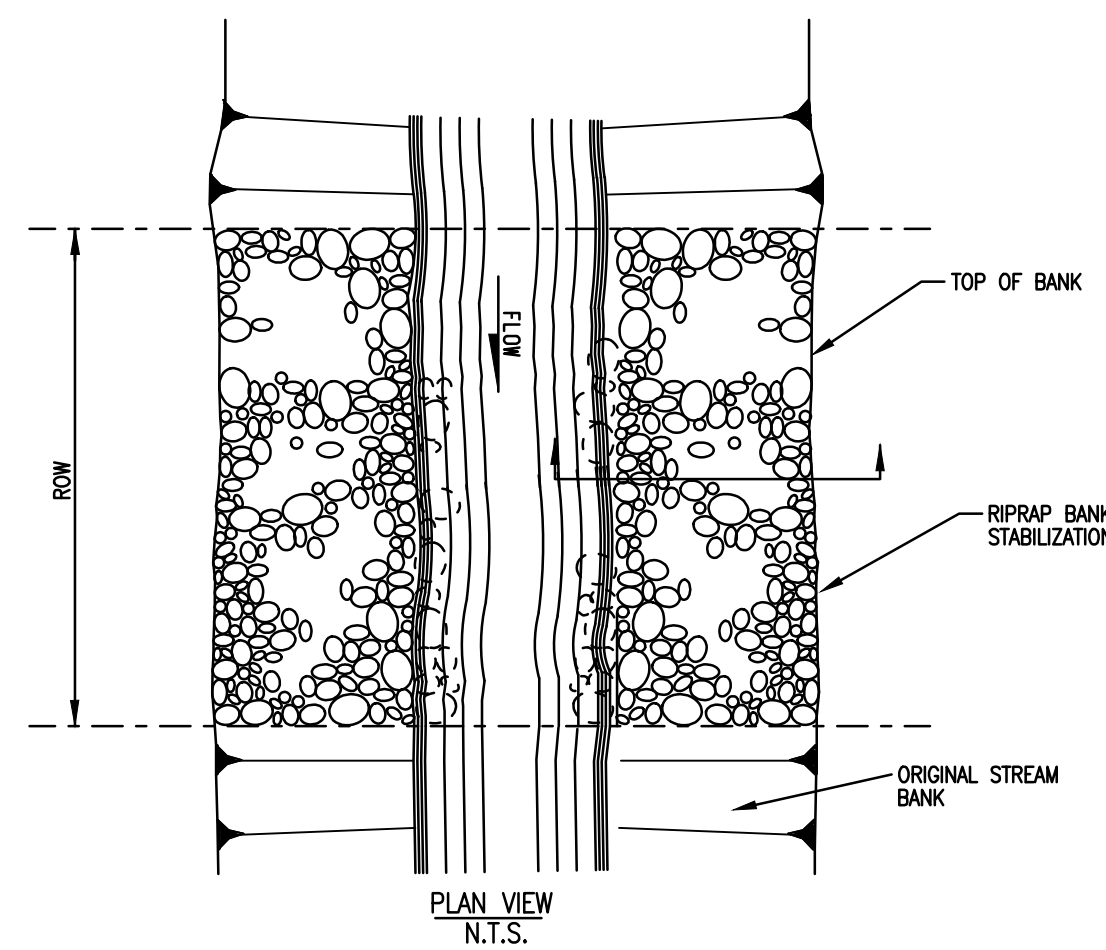
ADAPTED FROM PADEP

NO.	DATE	BY	REVISION DESCRIPTION	W.D. NO.	CHK.	APP.
			TRANSCONTINENTAL GAS PIPE LINE COMPANY, LLC STANDARD ENVIRONMENTAL DETAIL			
			(RSF) REINFORCED SILT FENCE (30\"/>			

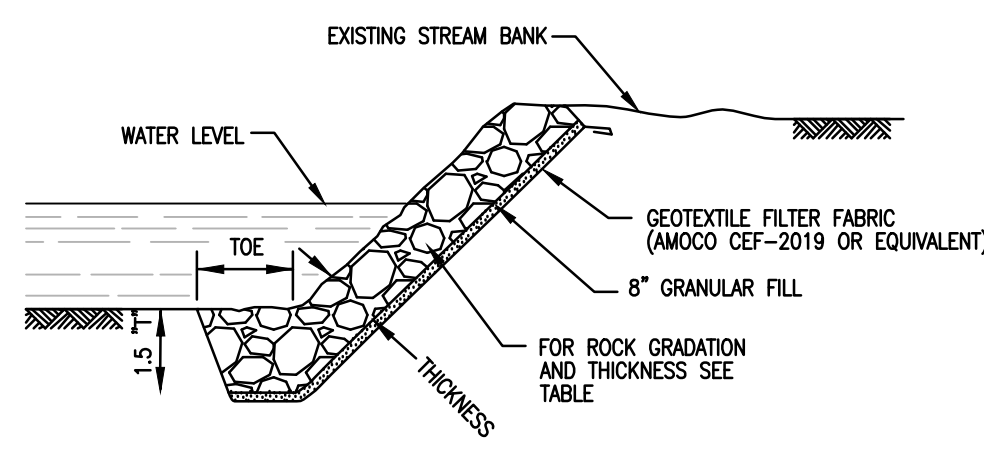


REVISIONS						
NO.	DATE	BY	DESCRIPTION	W.D. NO.	CHK.	APP.
0	08/26/2015	BL	ISSUED FOR PADEP SUBMITTAL	W0572385	JLK	SMK
1	12/02/2015	BL	ISSUED FOR PADEP RESUBMITTAL	W0572385	JLK	SMK
2	02/04/2016	BL	ISSUED FOR PADEP RESUBMITTAL	W0572385	JLK	SMK
3	03/26/2016	BL	ISSUED FOR PADEP RESUBMITTAL	W0572385	JLK	ASB
4	04/2016	BL	PADEP TECHNICAL DEFICIENCY RESPONSE #1	W0572385	JLK	ASB

TRANSCONTINENTAL GAS PIPE LINE COMPANY, LLC ATLANTIC SUNRISE PROJECT			
BEST MANAGEMENT PRACTICES AND QUANTITIES PLAN SET			
BEST MANAGEMENT PRACTICES DETAILS			
DRAWN BY:	ELZ	DATE:	05/15/15
CHECKED BY:	JLK	DATE:	07/02/15
APPROVED BY:	SMK	DATE:	07/08/15
ISSUED FOR:	ISSUED FOR CONSTRUCTION	SCALE:	
DRAWING NUMBER:	ASR-BMP	REVISION:	4
SHEET:	6	OF:	11



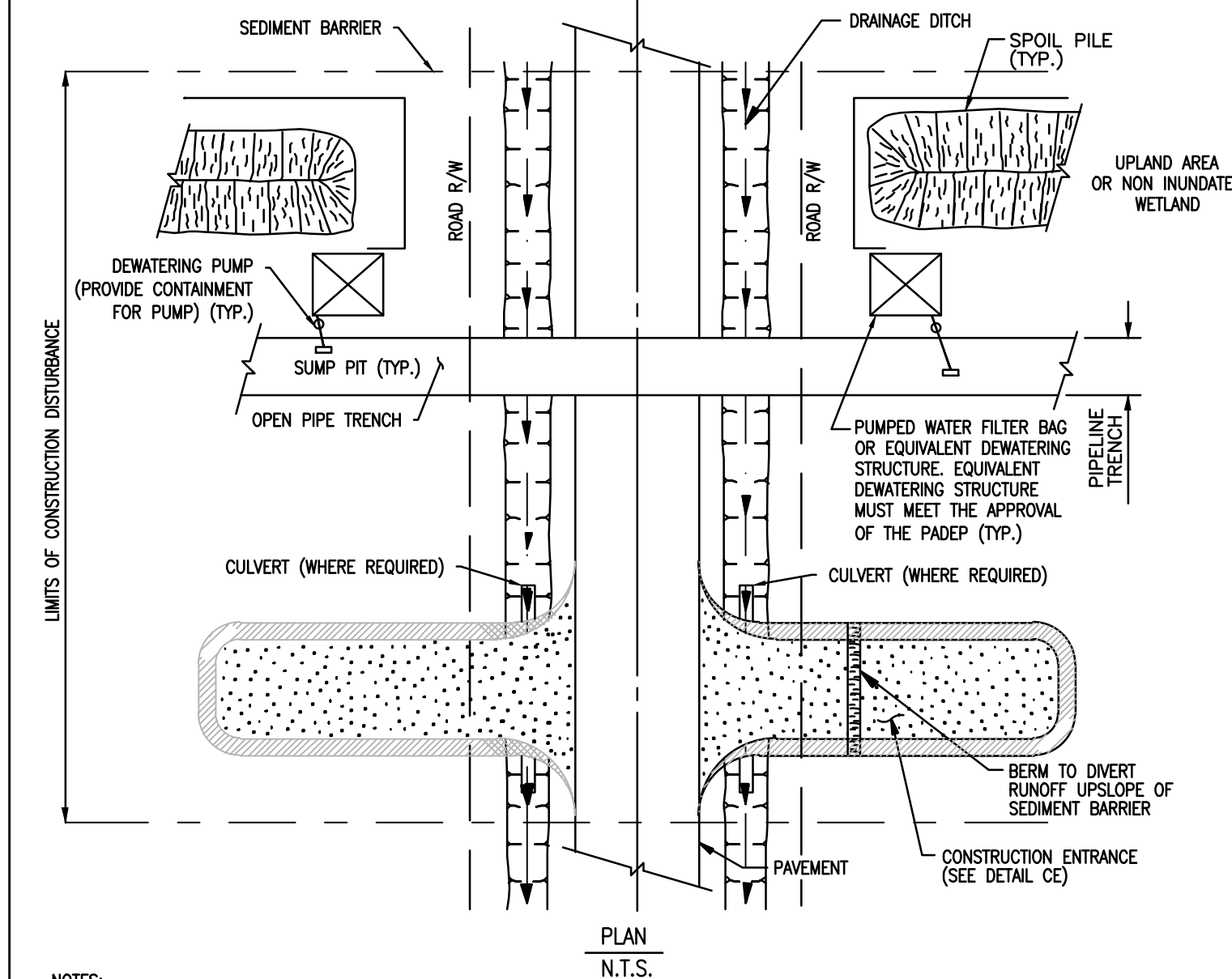
PLAN VIEW  
N.T.S.



SECTION  
SCALE: N.T.S.

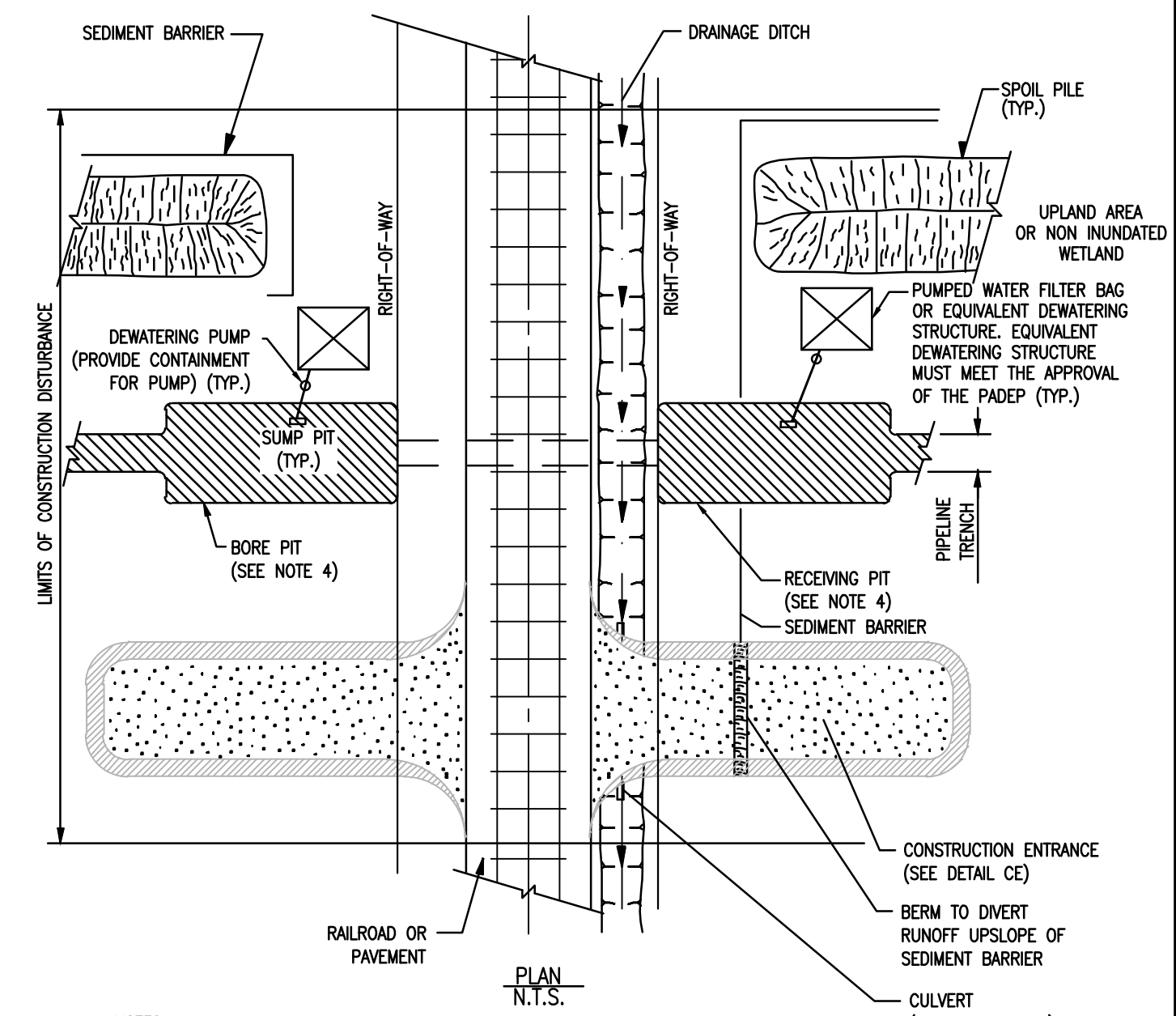
RIP RAP GRADATION TABLE		
REFER TO TABLE 6.6 RIP RAP GRADATION, FILTER BLANKET REQUIREMENTS, MAXIMUM VELOCITIES ON PAGE 6 OF THIS SET.		
REFER TO TABLE 6.7 COMPARISON OF VARIOUS GRADATIONS OF COARSE AGGREGATES ON PAGE 6 OF THIS SET.		

- NOTES:
- ROCK UTILIZED FOR RIPRAP SHALL CONSIST OF SOUND, DURABLE ROCK, INSOLUBLE IN WATER, AND RESISTANT TO WEATHERING.
  - ALL MATERIAL SHALL BE FREE OF STRUCTURAL DEFECTS, SHALE SEAMS AND ORGANIC MATTER.
  - INDIVIDUAL PIECES SHOULD BE SHARPLY ANGULAR, BLOCK SHAPED AND HAVE A MINIMUM SPECIFIC GRAVITY OF 2.5.
  - NO PIECE SHALL HAVE A LENGTH EXCEEDING THREE (3) TIMES ITS WIDTH OR DEPTH.
  - EACH LOAD OF ROCK SHALL BE OF WELL-GRADED MIXTURE. A WELL-GRADED MIXTURE, AS USED HEREIN, IS DEFINED AS A MIXTURE COMPOSED PRIMARILY OF LARGER STONE, BUT WITH A SUFFICIENT MIXTURE OF SMALLER SIZES TO FILL THE VOIDS.
  - MATERIAL SHALL MEET NSA SPECIFICATIONS - SEE TABLE ABOVE.
  - IF STREAM WIDTH IS EQUAL TO OR LESS THAN 2 TIMES THE TOE WIDTH, RIPRAP SHALL BE PLACED ACROSS THE ENTIRE STREAM WIDTH.
  - RIPRAP SHALL BE PLACED TO THE FULL COURSE THICKNESS IN ONE CONTINUOUS OPERATION. OPERATIONS WHICH CAUSE SEGREGATION OF THE MATERIALS SHALL NOT BE PERMITTED. INDIVIDUAL ROCKS MAY BE REARRANGED, AND THE VOIDS FILLED WITH HAND PLACED SMALLER ROCK IN ORDER TO ACHIEVE THE DESIRED UNIFORM ARMOR.
  - SLOPE SHALL BE GRADED TO 2:1 OR FLATTER PRIOR TO PLACING GRANULAR FILL, FILTER FABRIC, OR RIPRAP.
  - ENDS OF THE RIPRAP SHALL BE KEED INTO A STABLE BANK. WHEN TYING INTO OTHER STRUCTURES, LARGER RIPRAP CAN BE LAID IN STEPS OR STACKED AS NEEDED TO FIT. STONES LARGER THAN THOSE DESIGNED FOR FLOW SHALL BE USED FOR THIS PURPOSE.
  - REMAINING DISTURBED AREAS SHALL BE GRADED AND PERMANENTLY SEEDED AND MULCHED.



PLAN  
N.T.S.

- NOTES:
- SEDIMENT BARRIER SHALL BE INSTALLED AT THE BASE OF SLOPES ADJACENT TO ROAD CROSSINGS WHERE VEGETATION IS DISTURBED, TO INTERCEPT SURFACE RUNOFF. TEMPORARILY RELOCATE SEDIMENT BARRIERS WITHIN LIMITS OF TRENCH OPENING AS NEEDED TO INSTALL PIPE. IMMEDIATELY REPLACE BARRIERS AFTER BACKFILLING TRENCH.
  - PROTECTION FOR SPOIL PILES SHALL BE INSTALLED ONLY WHERE SEDIMENT BARRIERS ACROSS THE ENTIRE DISTURBED AREA ARE NOT REQUIRED.
  - SEDIMENT BARRIERS SHALL REMAIN IN PLACE UNTIL PERMANENT REVEGETATION IS ESTABLISHED.
  - CULVERTS TO BE SIZED AND PLACED WHERE REQUIRED TO MAINTAIN WATER FLOW.
  - CONTRACTOR SHALL BE REQUIRED TO KEEP THE ROAD CLEAN OF DEBRIS AT ALL TIMES.
  - CONTRACTOR MAY ELECT TO UTILIZE SHEET PILING IN ORDER TO STABILIZE PIPE TRENCH.
  - CONTRACTOR MAY ELECT TO UTILIZE WELL-POINTS IN ORDER TO REDUCE THE WATER TABLE PRIOR TO COMMENCING EXCAVATION.
  - DEPENDING ON TOPOGRAPHY AND STATE REQUIREMENTS, SEDIMENT BARRIER MAY BE REQUIRED ACROSS THE ENTIRE CONSTRUCTION RIGHT-OF-WAY AT THE EDGE OF ROAD. IN ADDITION TO THIS DETAIL, REFER TO THE ENVIRONMENTAL ALIGNMENT DRAWINGS FOR PLACEMENT OF SEDIMENT BARRIERS.
  - CONSTRUCTION ENTRANCE NEEDED AS SHOWN ON SPECIFIC PLAN.



PLAN  
N.T.S.

- NOTES:
- SEDIMENT BARRIER SHALL BE INSTALLED AT THE BASE OF SLOPES ADJACENT TO ROAD CROSSINGS WHERE VEGETATION IS DISTURBED, TO INTERCEPT SURFACE RUNOFF. TEMPORARILY RELOCATE SEDIMENT BARRIERS WITHIN LIMITS OF TRENCH OPENING AS NEEDED TO INSTALL PIPE. IMMEDIATELY REPLACE BARRIERS AFTER BACKFILLING TRENCH.
  - PROTECTION FOR SPOIL PILES SHALL BE INSTALLED ONLY WHERE SEDIMENT BARRIERS ACROSS THE ENTIRE DISTURBED AREA ARE NOT REQUIRED.
  - SEDIMENT BARRIERS SHALL REMAIN IN PLACE UNTIL PERMANENT REVEGETATION IS ESTABLISHED.
  - WATER REMOVED FROM BORE PIT AND RECEIVING PIT SHALL BE FILTERED THROUGH A DEWATERING STRUCTURE OR FILTER BAG.
  - IF WELL POINTING IS REQUIRED PRIOR TO EXCAVATING BORE PITS, CONTRACTOR SHALL CONSULT WITH COMPANY'S ENVIRONMENTAL INSPECTOR PRIOR TO COMMENCEMENT OF WORK IN ORDER TO DETERMINE PROPER DEWATERING LOCATION.
  - CONTRACTOR SHALL BE REQUIRED TO KEEP THE CROSSING CLEAN OF DEBRIS AT ALL TIMES.
  - CONTRACTOR MAY ELECT TO UTILIZE SHEET PILING IN ORDER TO STABILIZE BORE PITS.
  - DEPENDING ON TOPOGRAPHY AND STATE REQUIREMENTS, SEDIMENT BARRIER MAY BE REQUIRED ACROSS THE ENTIRE CONSTRUCTION RIGHT OF WAY AT THE EDGE OF ROAD. IN ADDITION TO THIS DETAIL, REFER TO THE ENVIRONMENTAL ALIGNMENT DRAWINGS FOR PLACEMENT OF SEDIMENT BARRIERS.

NO.	DATE	BY	REVISION DESCRIPTION	NO.	NO.	CHK.	APP.

TRANSCONTINENTAL GAS PIPE LINE COMPANY, LLC  
STANDARD ENVIRONMENTAL DETAIL

(RSS) RIP RAP STREAM BANK STABILIZATION

1 OF 2

NO.	DATE	BY	REVISION DESCRIPTION	NO.	NO.	CHK.	APP.

TRANSCONTINENTAL GAS PIPE LINE COMPANY, LLC  
STANDARD ENVIRONMENTAL DETAIL

(RSS) RIP RAP STREAM BANK STABILIZATION

2 OF 2

NO.	DATE	BY	REVISION DESCRIPTION	NO.	NO.	CHK.	APP.

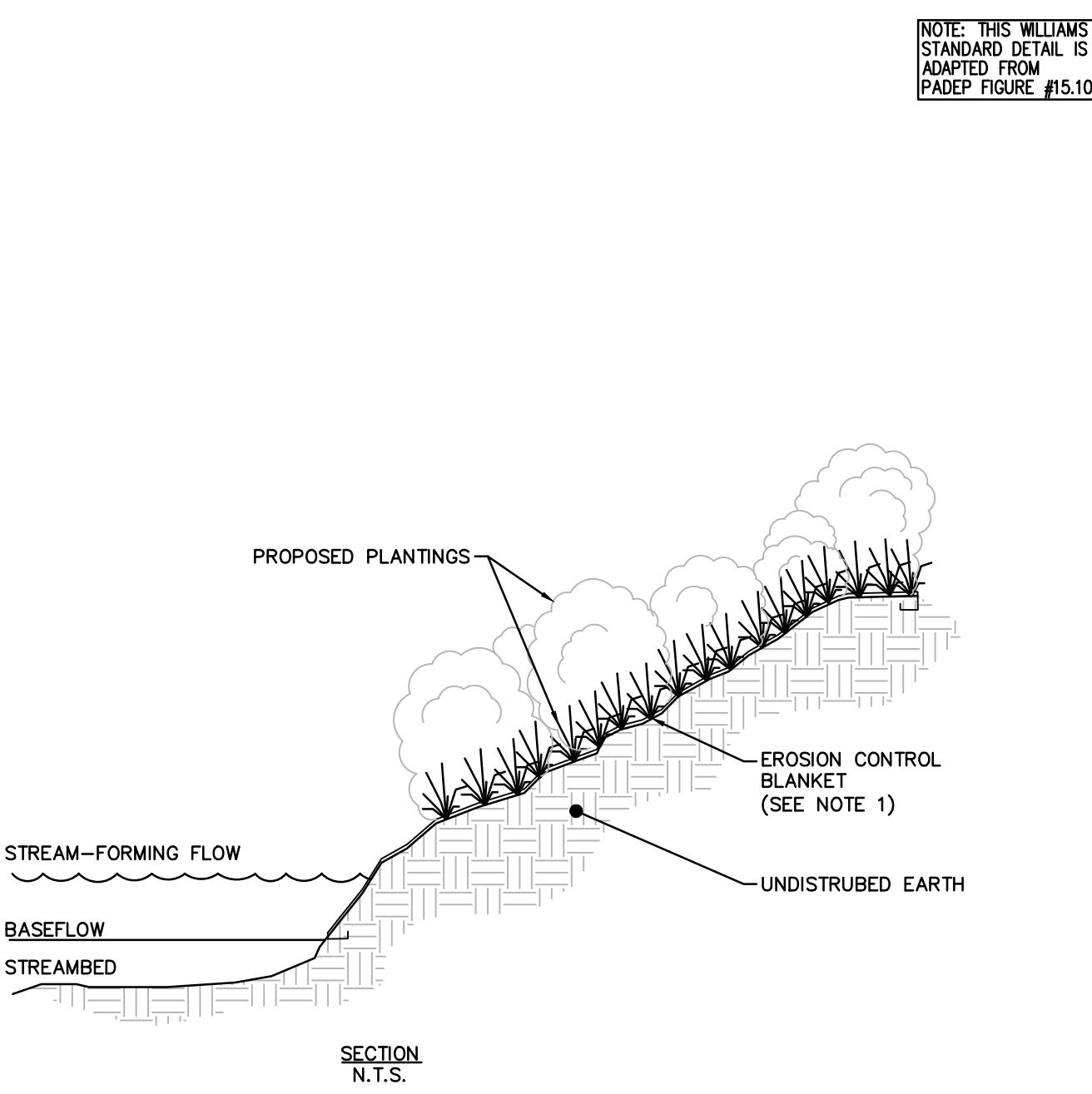
TRANSCONTINENTAL GAS PIPE LINE COMPANY, LLC  
STANDARD ENVIRONMENTAL DETAIL

(RX.1) TRENCHED ROAD CROSSING

NO.	DATE	BY	REVISION DESCRIPTION	NO.	NO.	CHK.	APP.

TRANSCONTINENTAL GAS PIPE LINE COMPANY, LLC  
STANDARD ENVIRONMENTAL DETAIL

(RX.2) BORED ROAD/RAILROAD CROSSING



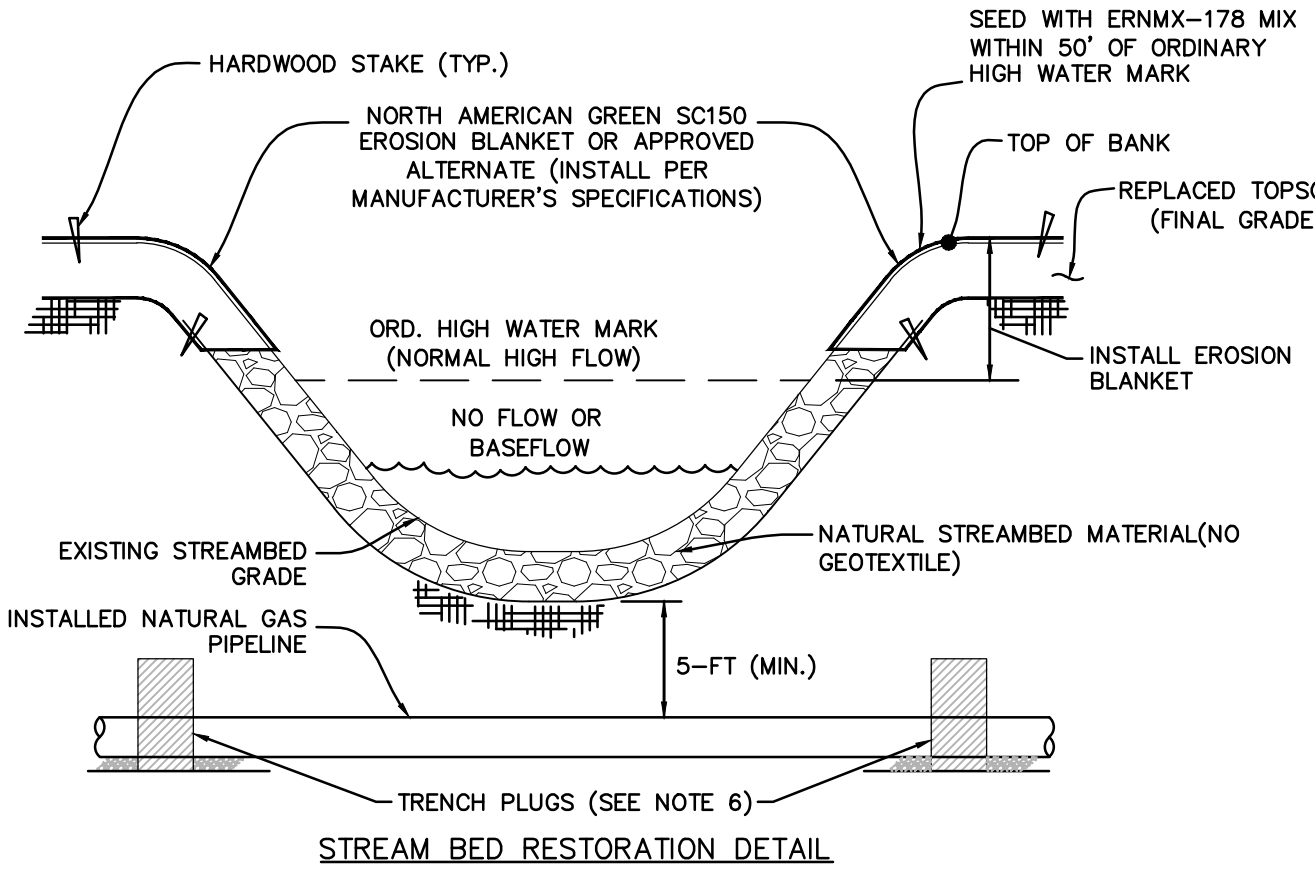
SECTION  
N.T.S.

- NOTES:
- ON STREAM BANKS WITH SLOPES 2:1 OR LESS, EROSION CONTROL BLANKET NAG SC150 OR APPROVED EQUAL SHALL BE USED. FOR ALL OTHER SLOPES, EROSION CONTROL BLANKET NAG C125 OR APPROVED EQUAL SHALL BE UTILIZED. REFER TO EROSION CONTROL BLANKET DETAIL (ECB) FOR INSTALLATION.
  - STREAM BANK STABILIZATION SHALL UTILIZE REINFORCEMENT BLANKET EXCEPT WHEN STABILIZATION CANNOT BE ACHIEVED IN THE FIELD. IN WHICH CASE, RIP RAP STREAM BANK STABILIZATION SHALL BE IMPLEMENTED. REFER TO THE RIP RAP STREAM BANK STABILIZATION DETAIL, RSS, IN THIS PLAN SET.

NO.	DATE	BY	REVISION DESCRIPTION	NO.	NO.	CHK.	APP.

TRANSCONTINENTAL GAS PIPE LINE COMPANY, LLC  
STANDARD ENVIRONMENTAL DETAIL

(SBR) STREAM BANK STABILIZATION WITH REINFORCEMENT BLANKET



SECTION  
N.T.S.

- NOTES:
- REMOVE EXISTING STREAMBED MATERIAL AND STOCKPILE SEPARATELY.
  - ONCE PIPELINE IS INSTALLED, REPLACE SUBSTRATE BACK IN STREAMBED AND RESTORE TO EXISTING CONDITION.
  - SEE RECOMMENDED SEED MIXTURES TABLES FOR SEED MIXES.
  - ON STREAMBANKS WITH SLOPES 2:1 OR LESS, EROSION CONTROL BLANKET NAG SC150 OR APPROVED EQUAL SHALL BE USED. FOR ALL OTHER SLOPES, EROSION CONTROL BLANKET NAG C125 OR APPROVED EQUAL SHALL BE UTILIZED.
  - THE USE OF EROSION CONTROL BLANKET IS NOT ALLOWED ON STATE GAME LANDS. HYDRAULICALLY APPLIED SLOPE STABILIZATION MUST BE USED.
  - REFER TO TRENCH PLUG INSTALLATION DETAIL (TP) FOR MORE INFORMATION.

NO.	DATE	BY	REVISION DESCRIPTION	NO.	NO.	CHK.	APP.

TRANSCONTINENTAL GAS PIPE LINE COMPANY, LLC  
STANDARD ENVIRONMENTAL DETAIL

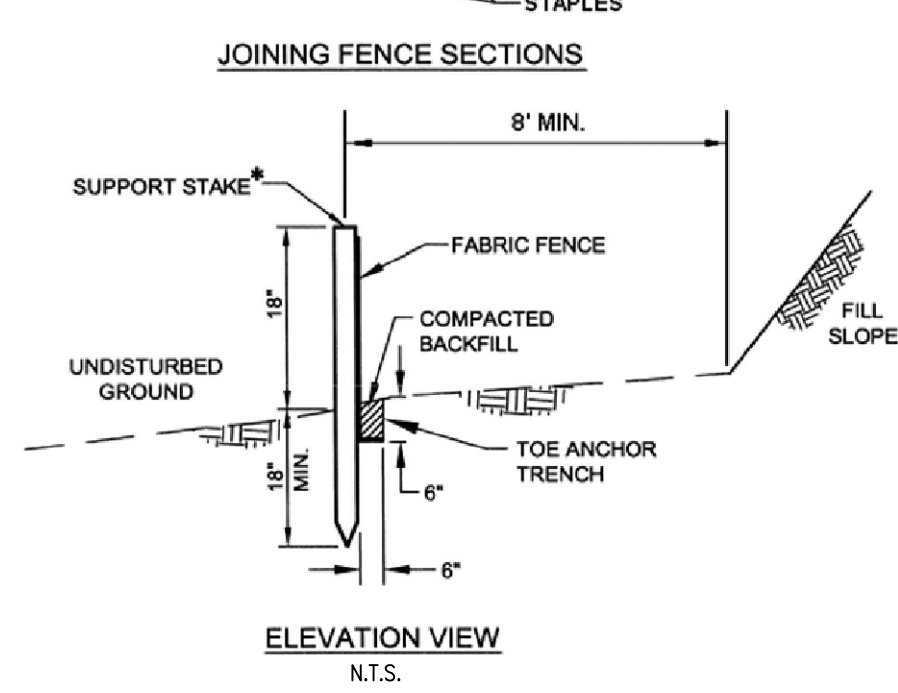
(SBR) STREAM BANK STABILIZATION WITH REINFORCEMENT BLANKET



REVISIONS			
NO.	DATE	BY	DESCRIPTION
0	08/28/2015	BL	ISSUED FOR PADEP SUBMITTAL
1	12/02/2015	BL	ISSUED FOR PADEP RESUBMITTAL
2	Oct. 2016	BL	PADEP TECHNICAL DEFICIENCY RESPONSE #1

TRANSCONTINENTAL GAS PIPE LINE COMPANY, LLC ATLANTIC SUNRISE PROJECT			
BEST MANAGEMENT PRACTICES AND QUANTITIES PLAN SET			
BEST MANAGEMENT PRACTICES DETAILS			
DRAWN BY:	ELZ	DATE:	05/15/15
CHECKED BY:	JLK	DATE:	07/02/15
APPROVED BY:	SMK	DATE:	07/08/15
ISSUED FOR:	ISSUED FOR CONSTRUCTION	SCALE:	
DRAWING NUMBER:	ASR-BMP	REVISION:	2
SHEET	7	OF	11

\*STAKES SPACED @ 8' MAX. USE 2" x 2" (± 3/8") WOOD OR EQUIVALENT STEEL (U OR T) STAKES



NOTE: THIS WILLIAMS STANDARD DETAIL IS BASED ON PADEP STANDARD CONSTRUCTION DETAIL #4-7.

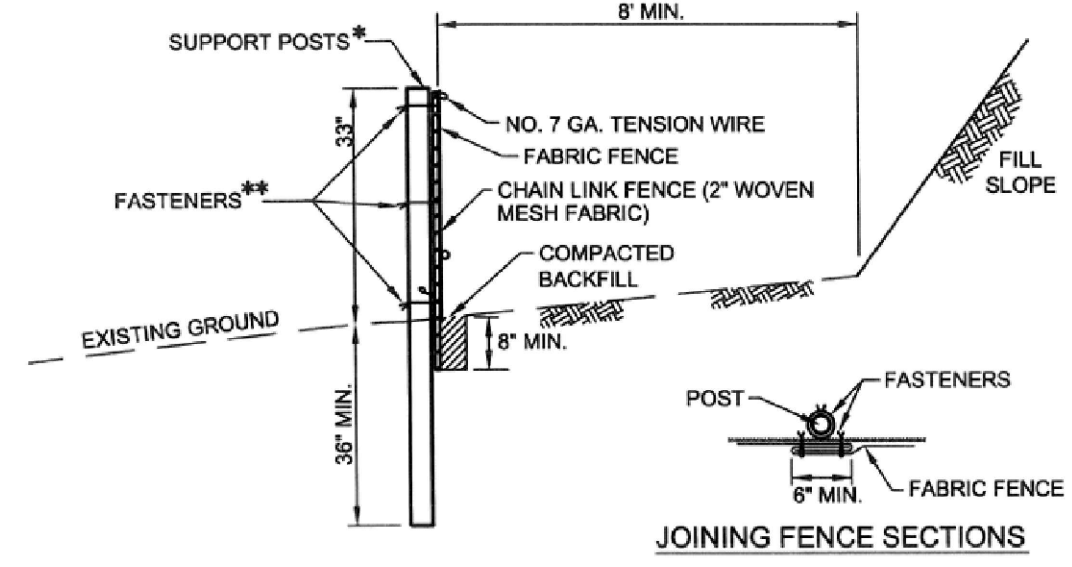
AT A MINIMUM, THE FABRIC SHALL HAVE THE FOLLOWING PROPERTIES:

FABRIC PROPERTY	MINIMUM ACCEPTABLE VALUE	TEST METHOD
GRAB TENSILE STRENGTH (LB)	120	ASTM D1682
ELONGATION AT FAILURE (%)	20% MAX.	ASTM D1682
MULLEN BURST STRENGTH (PSI)	200	ASTM D 3786
TRAPEZOIDAL TEAR STRENGTH (LB)	50	ASTM 5141
PUNCTURE STRENGTH (LB)	40	ASTM D 751 (MODIFIED)
SLURRY FLOW RATE (GAL/MIN/SF)	0.3	ASTM 5141
EQUIVALENT OPENING SIZE	30	US STD. SIEVE CW-02215
ULTRAVIOLET RADIATION STABILITY (%)	80	ASTM G-26

- ADAPTED FROM NEW YORK DEC AND PENN-DOT PUB 408 AND PENN-DOT PUB 408
- FABRIC WIDTH SHALL BE 30' MINIMUM. STAKES SHALL BE HARDWOOD OR EQUIVALENT STEEL (U OR T) STAKES.
  - SILT FENCE MUST BE PLACED AT LEVEL EXISTING GRADE. BOTH ENDS OF THE FENCE SHALL BE EXTENDED AT LEAST 8 FEET UP SLOPE AT 45 DEGREES TO THE MAIN FENCE ALIGNMENT.
  - SEDIMENT SHALL BE REMOVED WHEN ACCUMULATIONS REACH 1/2 THE ABOVE GROUND HEIGHT OF THE FENCE.
  - ANY SECTION OF SILT FENCE WHICH HAS BEEN UNDERMINED OR TOPPED SHALL BE IMMEDIATELY REPLACED WITH A ROCK FILTER OUTLET RFO.
  - FENCE SHALL BE REMOVED AND PROPERLY DISPOSED OF WHEN TRIBUTARY AREA IS PERMANENTLY STABILIZED.
  - SILT FENCE SHOULD BE PLACED ON CONTOURS TO THE EXTENT PRACTICAL. SILT FENCE SHOULD NOT BE USED TO DELINEATE THE LIMITS OF THE CONSTRUCTION RIGHT-OF-WAY.
  - SILT FENCE IS NOT ALLOWED IN CERTAIN SPECIAL PROTECTION WATERSHEDS; COMPOST FILTER SOCKS SHALL BE USED.

ADAPTED FROM PA DEP

NO.	DATE	BY	REVISION DESCRIPTION	W.D.	NO.	CHK.	APP.
			TRANSCONTINENTAL GAS PIPE LINE COMPANY, LLC STANDARD ENVIRONMENTAL DETAIL				
			(SF) STANDARD SILT FENCE (18" HIGH)				



NOTE: THIS WILLIAMS STANDARD DETAIL IS BASED ON PADEP STANDARD CONSTRUCTION DETAIL #4-10.

\*POSTS SPACED @ 10' MAX. USE 2 1/2" DIA. HEAVY DUTY GALVANIZED OR ALUMINUM POSTS.  
 \*\*CHAIN LINK TO POST FASTENERS SPACED @ 14" MAX. USE NO. 9 GA. ALUMINUM WIRE OR NO. 9 GALVANIZED STEEL PRE-FORMED CLIPS. CHAIN LINK TO TENSION WIRE FASTENERS SPACED @ 60" MAX. USE NO. 13.5 GA. GALVANIZED STEEL WIRE. FABRIC TO CHAIN FASTENERS SPACED @ 24" MAX C. TO C.

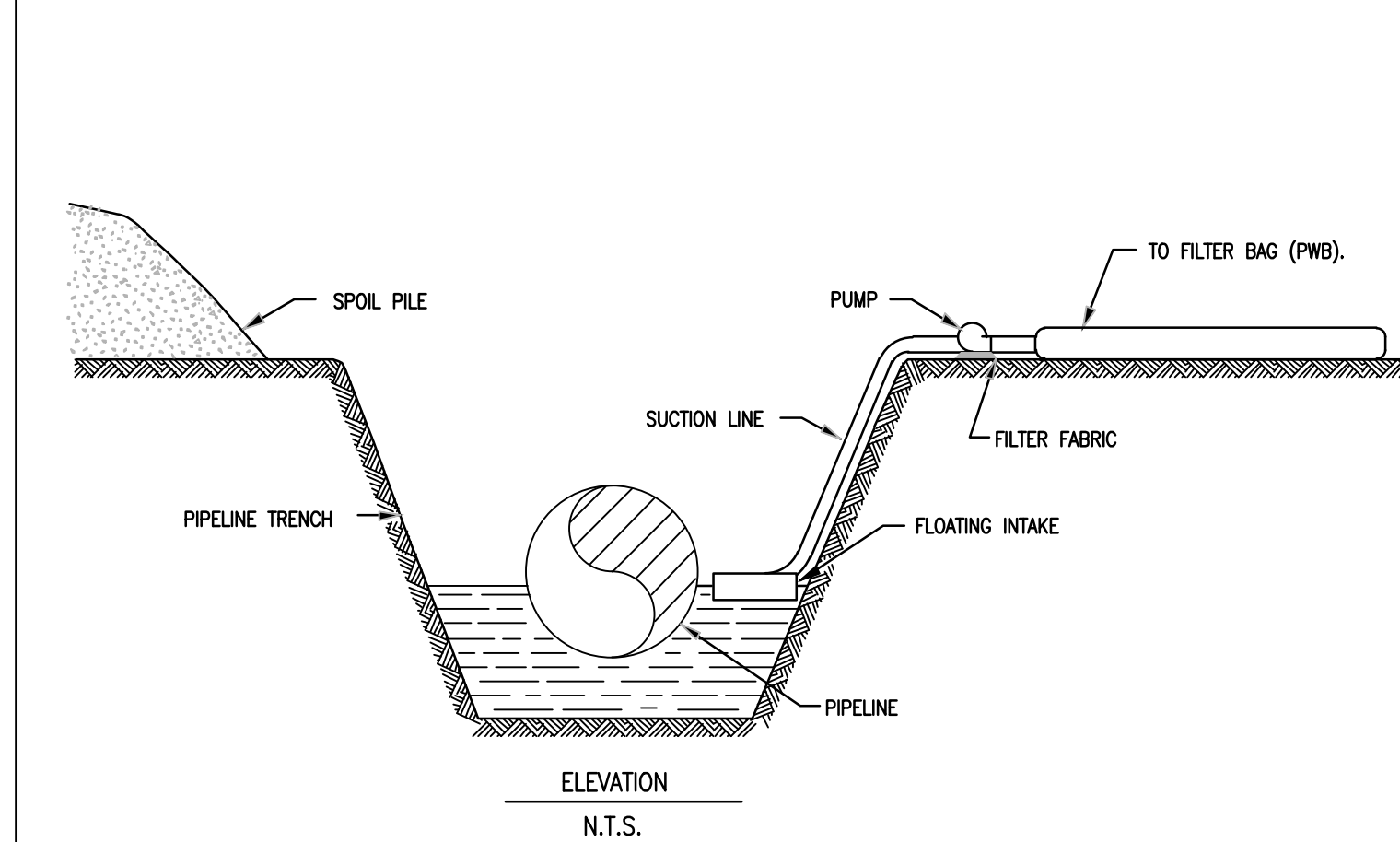
AT A MINIMUM, THE FABRIC SHALL HAVE THE FOLLOWING PROPERTIES:

FABRIC PROPERTY	MINIMUM ACCEPTABLE VALUE	TEST METHOD
GRAB TENSILE STRENGTH (LB)	120	ASTM D1682
ELONGATION AT FAILURE (%)	20% MAX.	ASTM D1682
MULLEN BURST STRENGTH (PSI)	200	ASTM D 3786
TRAPEZOIDAL TEAR STRENGTH (LB)	50	ASTM 5141
PUNCTURE STRENGTH (LB)	40	ASTM D 751 (MODIFIED)
SLURRY FLOW RATE (GAL/MIN/SF)	0.3	ASTM 5141
EQUIVALENT OPENING SIZE	30	US STD. SIEVE CW-02215
ULTRAVIOLET RADIATION STABILITY (%)	80	ASTM G-26

- ADAPTED FROM NEW YORK DEC AND PENN-DOT PUB 408
- FILTER FABRIC WIDTH SHALL BE 42' MINIMUM.
  - POSTS SHALL BE INSTALLED USING A POSTHOLE DRILL.
  - CHAIN LINK SHALL BE GALVANIZED NO. 11.5 GA. STEEL WIRE WITH 2" OPENING, NO. 11 GA. ALUMINUM COATED STEEL WIRE IN ACCORDANCE WITH ASTM-A-491, OR GALVANIZED NO. 9 GA. STEEL WIRE TOP AND BOTTOM WITH GALVANIZED NO. 11 GA. STEEL INTERMEDIATE WIRES, NO. 7 GAGE TENSION WIRE TO BE INSTALLED HORIZONTALLY THROUGH HOLES AT TOP AND BOTTOM OF CHAIN-LINK FENCE OR ATTACHED WITH HOG RINGS AT 5' (MAX.) CENTERS.
  - SILT FENCE SHALL BE PLACED AT EXISTING LEVEL GRADE. BOTH ENDS OF THE FENCE SHALL BE EXTENDED AT LEAST 8 FEET UPSLOPE AT 45 DEGREES TO MAIN BARRIER ALIGNMENT.
  - SEDIMENT SHALL BE REMOVED WHEN ACCUMULATIONS REACH 1/2 THE ABOVE GROUND HEIGHT OF THE FENCE.
  - FENCE SHALL BE REMOVED AND PROPERLY DISPOSED OF WHEN TRIBUTARY AREA IS PERMANENTLY STABILIZED.
  - SILT FENCE SHOULD BE PLACED ON CONTOURS TO THE EXTENT PRACTICAL. SILT FENCE SHOULD NOT BE USED TO DELINEATE THE LIMITS OF THE CONSTRUCTION RIGHT-OF-WAY.
  - SILT FENCE IS NOT ALLOWED IN CERTAIN SPECIAL PROTECTION WATERSHEDS; COMPOST FILTER SOCKS SHALL BE USED.

ADAPTED FROM PA DEP

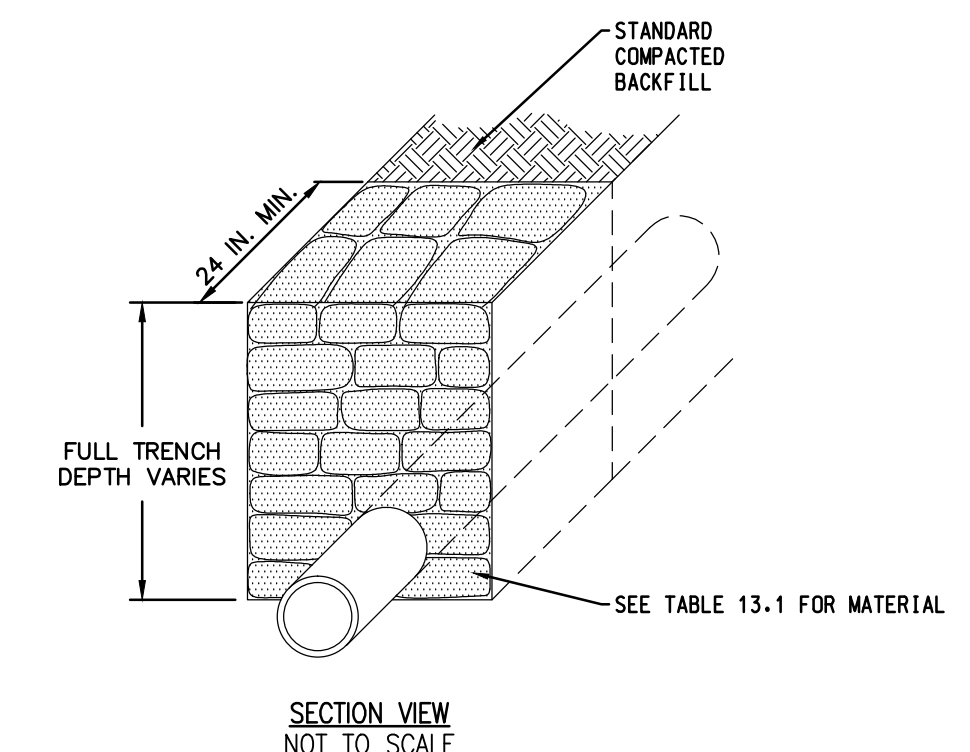
NO.	DATE	BY	REVISION DESCRIPTION	W.D.	NO.	CHK.	APP.
			TRANSCONTINENTAL GAS PIPE LINE COMPANY, LLC STANDARD ENVIRONMENTAL DETAIL				
			(SSF) SUPER SILT FENCE (33" HIGH)				



- NOTES:
- WATER PUMPED OUT OF TRENCH SHALL NOT BE DISCHARGED INTO WATERWAYS. WATER SHALL BE DISCHARGED INTO A FILTER BAG OR DEWATERING STRUCTURE.
  - PUMP SHALL BE CONTROLLED SO THAT DISCHARGE DOES NOT OVERFLOW DEWATERING STRUCTURE.
  - PUMP SUCTION HOSE MUST NOT BE ALLOWED TO COME IN CONTACT WITH TRENCH BOTTOM. PROVISIONS MUST BE MADE TO ELEVATE THE SUCTION HOSE TO AT LEAST ONE FOOT ABOVE THE BOTTOM OF THE PIPE TRENCH UNTIL BOTTOM DEWATERING IS NECESSARY.
  - DEWATERING SHALL NOT OCCUR DURING TIMES OF HEAVY RAINFALL EXCEPT AS REQUIRED TO PREVENT FLOODING OF CONSTRUCTION EQUIPMENT LOCATED IN BORE PITS AND TRENCHES.
  - PUMP WATER FILTER BAG (PWB) SHALL BE PLACED ON A WELL VEGETATED AREA AWAY FROM CONSTRUCTION SO THAT FILTERED WATER IS NOT RETURNED TO THE TRENCH.

ADAPTED FROM MARYLAND DOE

NO.	DATE	BY	REVISION DESCRIPTION	W.D.	NO.	CHK.	APP.
			TRANSCONTINENTAL GAS PIPE LINE COMPANY, LLC STANDARD ENVIRONMENTAL DETAIL				
			(TD) TRENCH DEWATERING				



NOTE: THIS WILLIAMS STANDARD DETAIL IS BASED ON PADEP STANDARD CONSTRUCTION DETAIL #13-4.

TABLE 13.1  
MAXIMUM SPACING AND MATERIALS FOR TRENCH PLUGS

TRENCH SLOPE (%)	SPACING L (FT)	TRENCH PLUG MATERIAL FOR FILLED SACKS
<5	1,000	* CLAY, BENTONITE, OR CONCRETE FILLED SACKS
5 - 15	500	* CLAY, BENTONITE, OR CONCRETE FILLED SACKS
15 - 25	300	* CLAY, BENTONITE, OR CONCRETE FILLED SACKS
25 - 35	200	* CLAY, BENTONITE, OR CONCRETE FILLED SACKS
35 - 100	100	* CLAY, BENTONITE, OR CONCRETE FILLED SACKS
>100	50	CEMENT FILLED BAGS (WETTED) OR MORTARED STONE

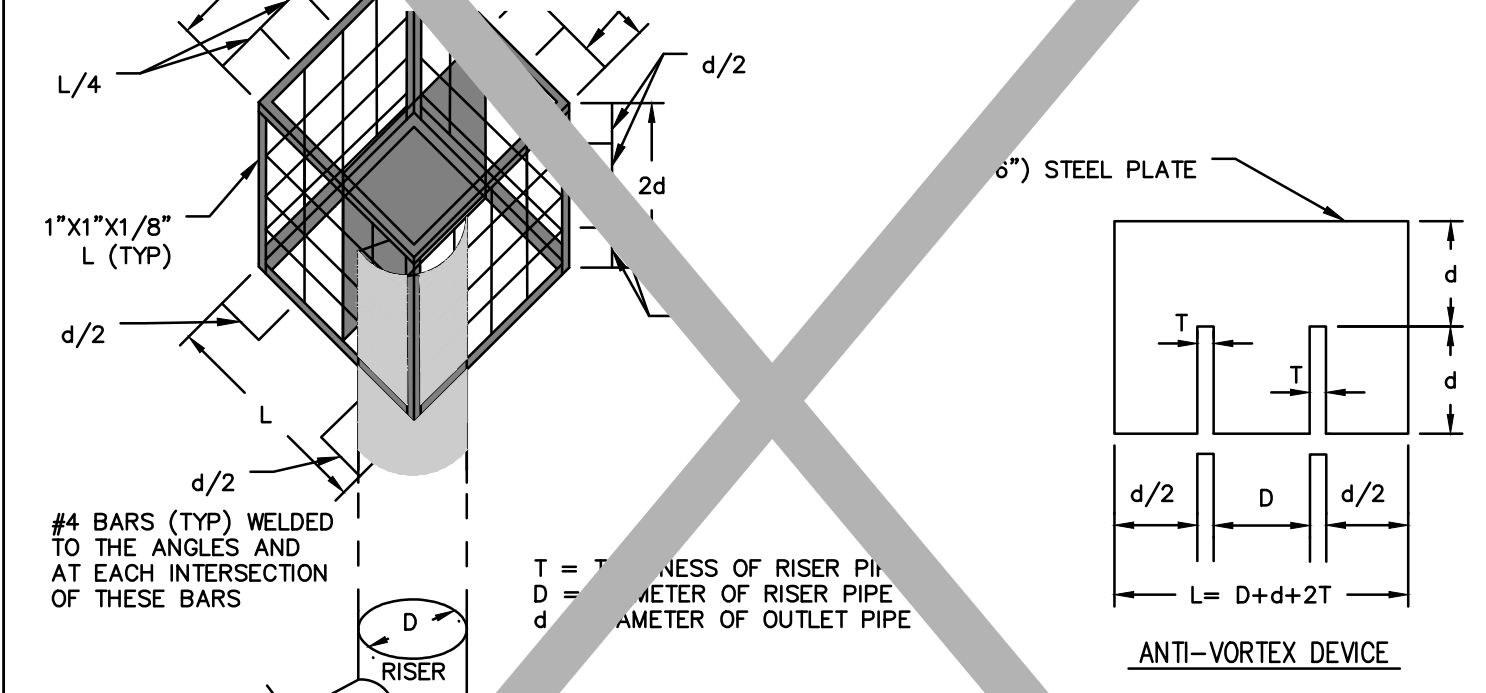
\*TOPSOIL MAY NOT BE USED TO FILL SACKS.

IMPERVIOUS TRENCH PLUGS ARE REQUIRED FOR ALL STREAM, RIVER, WETLAND, OR OTHER WATER BODY CROSSINGS. FOAM TRENCH PLUGS ARE NOT TO BE USED IN WETLANDS.

ADAPTED FROM MARYLAND DOE

NO.	DATE	BY	REVISION DESCRIPTION	W.D.	NO.	CHK.	APP.
			TRANSCONTINENTAL GAS PIPE LINE COMPANY, LLC STANDARD ENVIRONMENTAL DETAIL				
			(TP) TRENCH PLUG INSTALLATION				

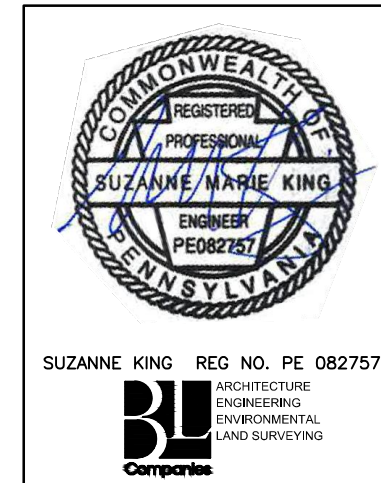
THIS DETAIL IS NOT UTILIZED IN THIS COUNTY



NOTE: THIS DETAIL IS BASED ON PADEP STANDARD CONSTRUCTION DETAIL #7-5.

ADAPTED FROM PA DEP

NO.	DATE	BY	REVISION DESCRIPTION	W.D.	NO.	CHK.	APP.
			TRANSCONTINENTAL GAS PIPE LINE COMPANY, LLC STANDARD ENVIRONMENTAL DETAIL				
			(TRV) TRASH RACK AND ANTI-VORTEX DEVICE				



REVISIONS							
NO.	DATE	BY	DESCRIPTION	W.D.	NO.	CHK.	APP.
0	08/26/2015	BL	ISSUED FOR PADEP SUBMITTAL	W0572385	JLK	SMK	
1	12/02/2015	BL	ISSUED FOR PADEP RESUBMITTAL	W0572385	JLK	SMK	
2	Oct. 2016	BL	PADEP TECHNICAL DEFICIENCY RESPONSE #1	W0572385	JLK	SMK	

TRANSCONTINENTAL GAS PIPE LINE COMPANY, LLC ATLANTIC SUNRISE PROJECT					
BEST MANAGEMENT PRACTICES AND QUANTITIES PLAN SET					
BEST MANAGEMENT PRACTICES DETAILS					
DRAWN BY:	ELZ	DATE:	05/15/15	ISSUED FOR BID:	SCALE:
CHECKED BY:	JLK	DATE:	07/02/15	ISSUED FOR CONSTRUCTION:	REVISION:
APPROVED BY:	SMK	DATE:	07/08/15	DRAWING NUMBER:	ASR-BMP
W.O.					

SHEET 8 OF 11

**FULL RIGHT-OF-WAY TOPSOIL STRIPPING ADJACENT EXISTING PIPELINE**

**FULL RIGHT-OF-WAY TOPSOIL STRIPPING-SIDE SLOPES**

**NOTES:**

1. ALLOW FOR A 3' SEPARATION BETWEEN THE TOPSOIL PILE AND THE TRENCH SPOIL.
2. RETURN TRENCH SPOIL TO TRENCH AND COMPACT. FEATHER OUT EXCESS SPOIL OVER STRIPPED AREA LEAVING A LOW CROWN CENTERED OVER THE TRENCH. ALLEVIATE COMPACTION OF SUBSOILS OVER THE STRIPPED AREA.
3. RETURN TOPSOIL EVENLY OVER THE STRIPPED AREA AFTER TRENCH HAS SUFFICIENTLY SETTLED OR HAS BEEN COMPACTED.
4. ALLEVIATE COMPACTION OF TOPSOIL OVER ENTIRE RIGHT-OF-WAY.
5. SEGREGATED TOPSOIL MAY NOT BE USED FOR PADDING THE PIPE.
6. INSTALL SEDIMENT BARRIER AS SHOWN ON PLAN.

NO.	DATE	BY	REVISION DESCRIPTION	W.O. NO.	CHK.	APP.

TRANSCONTINENTAL GAS PIPE LINE COMPANY, LLC  
 STANDARD ENVIRONMENTAL DETAIL  
 (TS.1) TOPSOIL SEGREGATION (1)

**DITCH LINE TOPSOIL STRIPPING**  
 ALSO USED IN NON-SATURATED WETLANDS

**DITCH PLUS SPOIL SIDE SEGREGATION**

**NOTES:**

1. ALLOW FOR A 3' SEPARATION BETWEEN THE TOPSOIL PILE AND THE TRENCH SPOIL.
2. RETURN TRENCH SPOIL TO TRENCH AND COMPACT. FEATHER OUT EXCESS SPOIL OVER STRIPPED AREA LEAVING A LOW CROWN CENTERED OVER THE TRENCH. ALLEVIATE COMPACTION OF SUBSOILS OVER THE STRIPPED AREA.
3. RETURN TOPSOIL EVENLY OVER THE STRIPPED AREA AFTER TRENCH HAS SUFFICIENTLY SETTLED OR HAS BEEN COMPACTED.
4. ALLEVIATE COMPACTION OF TOPSOIL OVER ENTIRE RIGHT-OF-WAY.
5. SEGREGATED TOPSOIL MAY NOT BE USED FOR PADDING THE PIPE.
6. INSTALL SEDIMENT BARRIER AS SHOWN ON PLAN.

NO.	DATE	BY	REVISION DESCRIPTION	W.O. NO.	CHK.	APP.

TRANSCONTINENTAL GAS PIPE LINE COMPANY, LLC  
 STANDARD ENVIRONMENTAL DETAIL  
 (TS.2) TOPSOIL SEGREGATION (2)

**FULL RIGHT-OF-WAY TOPSOIL STRIPPING - A**

**FULL RIGHT-OF-WAY TOPSOIL STRIPPING - B**

**NOTES:**

1. ALLOW FOR A 3' SEPARATION BETWEEN THE TOPSOIL PILE AND THE TRENCH SPOIL.
2. RETURN TRENCH SPOIL TO TRENCH AND COMPACT. FEATHER OUT EXCESS SPOIL OVER STRIPPED AREA LEAVING A LOW CROWN CENTERED OVER THE TRENCH. ALLEVIATE COMPACTION OF SUBSOILS OVER THE STRIPPED AREA.
3. RETURN TOPSOIL EVENLY OVER THE STRIPPED AREA AFTER TRENCH HAS SUFFICIENTLY SETTLED OR HAS BEEN COMPACTED.
4. ALLEVIATE COMPACTION OF TOPSOIL OVER ENTIRE RIGHT-OF-WAY.
5. SEGREGATED TOPSOIL MAY NOT BE USED FOR PADDING THE PIPE.
6. INSTALL SEDIMENT BARRIER AS SHOWN ON PLAN.

NO.	DATE	BY	REVISION DESCRIPTION	W.O. NO.	CHK.	APP.

TRANSCONTINENTAL GAS PIPE LINE COMPANY, LLC  
 STANDARD ENVIRONMENTAL DETAIL  
 (TS.3) TOPSOIL SEGREGATION (3)

**CROSS SECTION SCALE: N.T.S.**

**NOTES:**

1. TWO-TONE THE RIGHT-OF-WAY TO LIMIT THE NEED FOR DEEP CUTS AND ADDITIONAL RIGHT-OF-WAY ON STEEP SLOPES. THE MINIMUM WORKSPACE WIDTH ALONG STEEP SIDE SLOPES WILL VARY DEPENDING ON THE DIAMETER OF PIPE TO BE INSTALLED. ADDITIONAL TEMPORARY WORKSPACE MAY BE REQUIRED FOR WORKER SAFETY DEPENDING ON THE SEVERITY OF THE GRADE.
2. EMPLOY EROSION CONTROL MEASURES SUCH AS WATERBARS, CROSS DITCHES, TEMPORARY DRAINAGE PIPES, TEMPORARY SWALES, TEMPORARY OUTLET PROTECTION, ETC. AS REQUIRED TO PREVENT EROSION AND SEDIMENTATION OUTSIDE OF THE CONSTRUCTION RIGHT-OF-WAY. CLEAR AND STAKE ATWS TO ALLOW FOR EXTRA SPACE.
3. ENSURE SIDE BOOM TRACTORS ARE EQUIPPED WITH BOOM EXTENDERS AND COUNTERWEIGHTS IF REQUIRED.
4. USE BACKHOE TO ASSIST BULLDOZERS WITH REPLACING CUTS.
5. RESTORE GRADE TO NEAR PRE-CONSTRUCTION TOPOGRAPHY, REPLACE TOPSOIL AND INSTALL PERMANENT EROSION CONTROL MEASURES AS REQUIRED.
6. REVEGETATE / SEED DISTURBED AREAS AS NOTED IN THE CONSTRUCTION DOCUMENTS OR AS DETERMINED BY THE ENVIRONMENTAL INSPECTOR.

NO.	DATE	BY	REVISION DESCRIPTION	W.O. NO.	CHK.	APP.

TRANSCONTINENTAL GAS PIPE LINE COMPANY, LLC  
 STANDARD ENVIRONMENTAL DETAIL  
 (TTS) SIDE SLOPE (TWO-TONE) CONSTRUCTION PROCEDURE

SUZANNE KING REG. NO. PE 082757

REVISIONS						
NO.	DATE	BY	DESCRIPTION	W.O. NO.	CHK.	APP.
0	08/26/2015	BL	ISSUED FOR PADEP SUBMITTAL	W0572385	JLK	SMK
1	12/02/2015	BL	ISSUED FOR PADEP RESUBMITTAL	W0572385	JLK	SMK
2	Oct. 2016	BL	PADEP TECHNICAL DEFICIENCY RESPONSE #1	W0572385	JLK	SMK

TRANSCONTINENTAL GAS PIPE LINE COMPANY, LLC  
 ATLANTIC SUNRISE PROJECT  
 BEST MANAGEMENT PRACTICES AND QUANTITIES PLAN SET  
 BEST MANAGEMENT PRACTICES DETAILS

DRAWN BY:	ELZ	DATE:	05/15/15	ISSUED FOR BID:	SCALE:
CHECKED BY:	JLK	DATE:	07/02/15	ISSUED FOR CONSTRUCTION:	REVISION:
APPROVED BY:	SMK	DATE:	07/08/15	DRAWING NUMBER:	ASR-BMP
W.O.:					

SHEET 9 OF 11

Drawn By & Date/Time: cmastroano Nov 13, 2016 2:25pm  
Drawing Location & Name: G:\OBS1\14\1404909\DWG\BMPs\DETAILS\PL\_DNT1404909(10)\_WY-BMP-10.dwg

NOTE: THIS WILLIAMS STANDARD DETAIL IS BASED ON PADEP STANDARD CONSTRUCTION DETAIL #6-1.

OVERLAP 6 IN. MIN. EXCAVATE CHANNEL TO DESIGN GRADE AND CROSS SECTION SOIL BACKFILL  
LONGITUDINAL ANCHOR TRENCH

INTERMITTENT CHECK SLOT

PREPARE SOIL AND APPLY SEED BEFORE INSTALLING BLANKETS, MATS, OR OTHER TEMPORARY CHANNEL LINER SYSTEM.

SHINGLE-LAP SPICED ENDS OR BEGIN NEW ROLL IN AN INTERMITTENT CHECK SLOT MIN. SHINGLE LAP=6 IN.

ISOMETRIC VIEW

CHANNEL CROSS-SECTION

\* SEE MANUFACTURER'S LINING INSTALLATION DETAIL FOR STAPLE PATTERNS, VEGETATIVE STABILIZATION FOR SOIL AMENDMENTS, SEED MIXTURES AND MULCHING INFORMATION

NOTES:  
ANCHOR TRENCHES SHALL BE INSTALLED AT BEGINNING AND END OF CHANNEL IN THE SAME MANNER AS LONGITUDINAL ANCHOR TRENCHES.  
CHANNEL DIMENSIONS SHALL BE CONSTANTLY MAINTAINED. CHANNEL SHALL BE CLEANED WHENEVER TOTAL CHANNEL DEPTH IS REDUCED BY 25% AT ANY LOCATION.  
SEDIMENT DEPOSITS SHALL BE REMOVED WITHIN 24 HOURS OF DISCOVERY OR AS SOON AS SOIL CONDITIONS PERMIT ACCESS TO CHANNEL WITHOUT FURTHER DAMAGE. DAMAGED LINING SHALL BE REPAIRED OR REPLACED WITHIN 48 HOURS OF DISCOVERY.  
NO MORE THAN ONE THIRD OF THE SHOOT (GRASS LEAF) SHALL BE REMOVED IN ANY MOWING. GRASS HEIGHT SHALL BE MAINTAINED BETWEEN 2 AND 3 INCHES UNLESS OTHERWISE SPECIFIED. EXCESS VEGETATION SHALL BE REMOVED FROM PERMANENT CHANNELS TO ENSURE SUFFICIENT CHANNEL CAPACITY.  
REFER TO "TABLE 2: TEMPORARY CLEAN WATER DIVERSION SUMMARY" AT THE END OF THIS PLAN SET FOR CHANNEL INFORMATION CHART FOR THE DIVERSION SWALES ALONG THE PIPELINE RIGHT OF WAY.

NO.	DATE	BY	REVISION DESCRIPTION	NO.	CHK	APP.
			TRANSCONTINENTAL GAS PIPE LINE COMPANY, LLC STANDARD ENVIRONMENTAL DETAIL			
			(VCH) VEGETATED CHANNEL			

PIPELINE R.O.W. DISTANCE VARIES

EXISTING GROUND

PROPOSED EXCAVATED CHANNEL

SECTION

PLAN VIEW

VEGETATED CHANNEL DIMENSIONS

SLOPE ACROSS R.O.W. % (SLOPE)	CENTERLINE OF SWALE TO EDGE OF GRADING FT (A1)	CENTERLINE OF SWALE TO LOD FT (A2)	BOTTOM WIDTH OF SWALE FT (B)	TOTAL WIDTH OF SWALE AT EDGE OF GRADING FT (C)	SWALE DEPTH FT (D1)	SWALE DEPTH AT EXISTING GRADE FT (D2)	SIDE SLOPES OF SWALE (Z1 AND Z2)
0-5	6.11	7	2	11.1100	2	2.25	2:1
0-5	7.33	8	2	13.3300	2.5	2.80	2:1
0-5	8.56	9	2	15.5600	3	3.35	2:1
5-15	9.28	10	2	14.2800	2	2.75	2:1
5-15	11.14	12	2	17.1400	2.5	3.40	2:1
5-15	13	13	2	20	3	4.05	2:1
15-25	15	15	2	20	2	3.25	2:1
15-25	18	18	2	24	2.5	4.00	2:1
15-25	21	21	2	28	3	4.75	2:1
25-33	25	25	2	30	2	3.65	2:1
25-33	30	30	2	36	2.5	4.48	2:1
25-33	35	35	2	42	3	5.31	2:1

NOTES:  
1. SWALES SHALL BE CONSTRUCTED AT A STANDARD DEPTH (D2) FROM CENTERLINE OF SWALE BOTTOM TO EXISTING GRADE.

NO.	DATE	BY	REVISION DESCRIPTION	NO.	CHK	APP.
			TRANSCONTINENTAL GAS PIPE LINE COMPANY, LLC STANDARD ENVIRONMENTAL DETAIL			
			(VCH) VEGETATED CHANNEL GRADING			

NOTE: THIS WILLIAMS STANDARD DETAIL IS BASED ON PADEP STANDARD CONSTRUCTION DETAIL #3-5.

18" MIN

ORIGINAL GRADE

NOT RECOMMENDED FOR ACTIVE ROADS

ORIENT AT 2% GRADIENT TO LOW SIDE OF ROAD

PADEP STANDARD NOTES:  
1. WATERBARS SHALL DISCHARGE TO A STABLE AREA.  
2. WATERBARS SHALL BE INSPECTED WEEKLY AND AFTER EACH RUNOFF EVENT. DAMAGED OR ERODED WATERBARS SHALL BE RESTORED TO ORIGINAL DIMENSIONS WITHIN 24 HOURS OF INSPECTION.  
3. MAINTENANCE OF WATERBARS SHALL BE PROVIDED UNTIL ROADWAY, SKIDTRAIL, OR RIGHT-OF-WAY HAS ACHIEVED PERMANENT STABILIZATION.  
4. WATERBARS ON RETIRED ROADWAYS, SKIDTRAILS, AND RIGHT-OF-WAYS SHALL BE LEFT IN PLACE AFTER PERMANENT STABILIZATION HAS BEEN ACHIEVED.

WILLIAMS STANDARD NOTES:  
1. ALL WATERBARS SHOWN ON THE PLANS ARE INTENDED TO BE PERMANENT BMPs.  
2. ADDITIONAL WATERBARS MAY BE INSTALLED AS APPROPRIATE DURING CONSTRUCTION.  
3. WATERBARS SHOULD BE CONSTRUCTED TO DISCHARGE TO ALTERNATE SIDES OF THE ROW, WHERE POSSIBLE/PRACTICAL.  
4. A SOFT TRENCH PLUG MAY BE USED TO CONTROL INSTANCES WHERE A WATERBAR DISCHARGES TO THE TRENCH IN STEEP SLOPE AREAS.  
5. A 'J-HOOK' OUTLET MAY BE USED AT WATERBARS TO CONTROL THE FLOW OF RUNOFF. STRAW BALES, SILT SOCKS OR SUPER SILT FENCE TRENCHED IN MAY BE USED AS 'J-HOOK' OUTLETS.  
6. THE POST CONSTRUCTION STORMWATER MANAGEMENT PLAN (PCSM) FOR THE LINEAR PORTION OF THIS PROJECT IS TO RESTORE THE CONSTRUCTION RIGHT-OF-WAY TO ITS ORIGINAL CONTOURS FOLLOWING PIPELINE INSTALLATION AND RESTORATION. THE ENTIRE AREA WILL BE PERMANENTLY RE-VEGETATED OR STABILIZED WITH PERVIOUS MATERIAL. WATER BARS INSTALLED DURING CONSTRUCTION ACTIVITIES WILL REMAIN AS PERMANENT WATER BARS AND ACT AS PCSM BMPs.

SUPPLEMENTAL NOTE:  
1. DO NOT EXCAVATE UPHILL SWALE WITHIN 10' OF CENTERLINE OF PIPE TO MAINTAIN MINIMUM 3' COVER OVER THE PIPE. SLIGHTLY MODIFY WATERBAR FLOWLINE GRADING TO PROMOTE POSITIVE DRAINAGE TO LOW SIDE OF WATERBAR.  
2. ALL WATERBARS ARE PERMANENT EXCEPT FOR THOSE LOCATED IN AGRICULTURAL AREAS, WETLANDS, TRANSPORTATION FACILITIES, AND LAWNS. ALL WATERBARS IN THESE AREAS ARE TO BE REMOVED DURING FINAL RESTORATION.

TABLE 3.1 - MAXIMUM WATERBAR SPACING

PERCENT SLOPE	SPACING (FT)
<5	200
5-15	150
>15-30	100
>30	50

NO.	DATE	BY	REVISION DESCRIPTION	NO.	CHK	APP.
			TRANSCONTINENTAL GAS PIPE LINE COMPANY, LLC STANDARD ENVIRONMENTAL DETAIL			
			(WB) WATERBAR			

ESGCP-2 PERMIT BOUNDARY

LIMIT OF DISTURBANCE

25' WIDTH VARIES 25'

ESGCP-2

WATER BAR INSTALLED AT 2% MAX SLOPE

18" WEIGHTED SEDIMENT FILTER TUBE (USED AS LEVEL SPREADER IN LIEU OF SUMP)

18" SILT SOCK

NOTE:  
1. DO NOT USE WITHIN 100' OF ANY REGULATED WETLANDS OR STREAMS  
2. 18 INCH WEIGHTED SEDIMENT FILTER TUBE SHALL BE INSTALLED WITH ONE END RESTING ON THE WATERBAR, ALLOWING FOR 8 FEET OF EFFECTIVE LENGTH.  
3. THE 5 FOOT WIDE X 96 INCH LONG X 14.5 INCH EFFECTIVE HEIGHT WEIGHTED SEDIMENT FILTER TUBE WILL PROVIDE 48 CUBIC FEET OF STORAGE. THE APPROVED ALTERNATE PROVIDES 40 CUBIC FEET OF STORAGE.  
4. TRAFFIC SHALL NOT BE PERMITTED TO CROSS FILTER SOCKS.  
5. ACCUMULATED SEDIMENT SHALL BE REMOVED WHEN IT REACHES HALF THE ABOVEGROUND HEIGHT OF THE TUBE AND DISPOSED IN ACCORDANCE WITH WILLIAMS STANDARDS. TUBES SHALL BE INSPECTED WEEKLY AND AFTER EACH RUNOFF EVENT. DAMAGED TUBES SHALL BE REPAIRED ACCORDING TO MANUFACTURER'S SPECIFICATIONS OR REPLACED WITHIN 24 HOURS OF INSPECTION.

NO.	DATE	BY	REVISION DESCRIPTION	NO.	CHK	APP.
			TRANSCONTINENTAL GAS PIPE LINE COMPANY, LLC STANDARD ENVIRONMENTAL DETAIL			
			(WB.1) WATERBAR END TREATMENT NON-SPECIAL PROTECTION WATERSHED			

PROVIDE SUMP ALONG CFS 24" WIDE BY 24" DEEP

WATERBAR

FLOW

SUMP

10 LINEAR FEET 18" CFS

NOTES:  
1. 10 LINEAR FEET OF 18 INCH COMPOST FILTER SOCK (CFS) SHALL BE INSTALLED WITH ONE END RESTING ON THE WATERBAR AS PER DETAIL CFS, ALLOWING FOR 8 FEET OF EFFECTIVE LENGTH AND A SPECIFIED FLOW THROUGH RATE OF 15 GALLONS PER MINUTE PER LINEAR FOOT. A PASS THROUGH FLOW OF 0.26 CUBIC FEET PER SECOND CAN BE ACCOMMODATED THROUGH THE FILTER SOCK. THIS FLOW RATE IS ADEQUATE FOR 20,000 SQUARE FEET OF DRAINAGE AREA FOR THE 2-YEAR, 24-HOUR STORM, 5 MINUTE TIME OF CONCENTRATION (RATIONAL METHOD).  
2. CONSTRUCTION OF A 24" WIDE AND 24" DEEP SUMP AT THE DISCHARGE END OF THE WATERBAR WILL REDUCE VELOCITY AND PROVIDE A SHEET FLOW CONDITION TO THE CFS. THE SUMP SHALL BE MAINTAINED AND CLEANED OUT WHEN IT BECOMES A MINIMUM OF 12" DEEP. THE SUMP SHALL BE FILLED AND STABILIZED WHEN THE CFS IS REMOVED AFTER SITE STABILIZATION.  
3. TRAFFIC SHALL NOT BE PERMITTED TO CROSS FILTER SOCKS.  
4. ACCUMULATED SEDIMENT SHALL BE REMOVED WHEN IT REACHES HALF THE ABOVEGROUND HEIGHT OF THE SOCK AND DISPOSED IN ACCORDANCE WITH WILLIAMS STANDARDS. SOCKS SHALL BE INSPECTED WEEKLY AND AFTER EACH RUNOFF EVENT. DAMAGED SOCKS SHALL BE REPAIRED ACCORDING TO MANUFACTURER'S SPECIFICATIONS OR REPLACED WITHIN 24 HOURS OF INSPECTION.  
5. BIODEGRADABLE FILTER SOCK SHALL BE REPLACED AFTER 6 MONTHS; PHOTODEGRADABLE SOCKS AFTER 1 YEAR. POLYPROPYLENE SOCKS SHALL BE REPLACED ACCORDING TO MANUFACTURER'S RECOMMENDATIONS.

NO.	DATE	BY	REVISION DESCRIPTION	NO.	CHK	APP.
			TRANSCONTINENTAL GAS PIPE LINE COMPANY, LLC STANDARD ENVIRONMENTAL DETAIL			
			(WB.2) COMPOST FILTER SOCK AND SUMP AT WATERBAR DISCHARGE (PADEP APPROVED ALTERNATE DETAIL)			

SEDIMENT BARRIER

WATERBODY

SEDIMENT BARRIER

RECEIVING PIT (50'X12')

PIPELINE TRENCH

SUMP PIT (TYP.)

PUMPED WATER FILTER BAG OR EQUIVALENT DEWATERING STRUCTURE. EQUIVALENT DEWATERING STRUCTURE MUST MEET THE APPROVAL OF THE PADEP. (TYP.)

DEWATERING PUMP (PROVIDE CONTAINMENT FOR PUMP) (TYP.)

PLAN N.T.S.

NATURAL GROUND

5' MIN CLR

NATURAL GROUND

BORE PIT (65'X12')

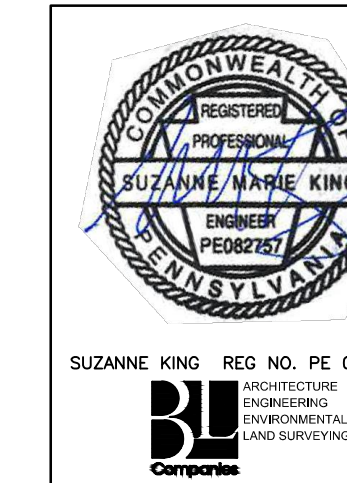
PROPOSED PIPE

RECEIVING PIT (50'X12')

PROFILE N.T.S.

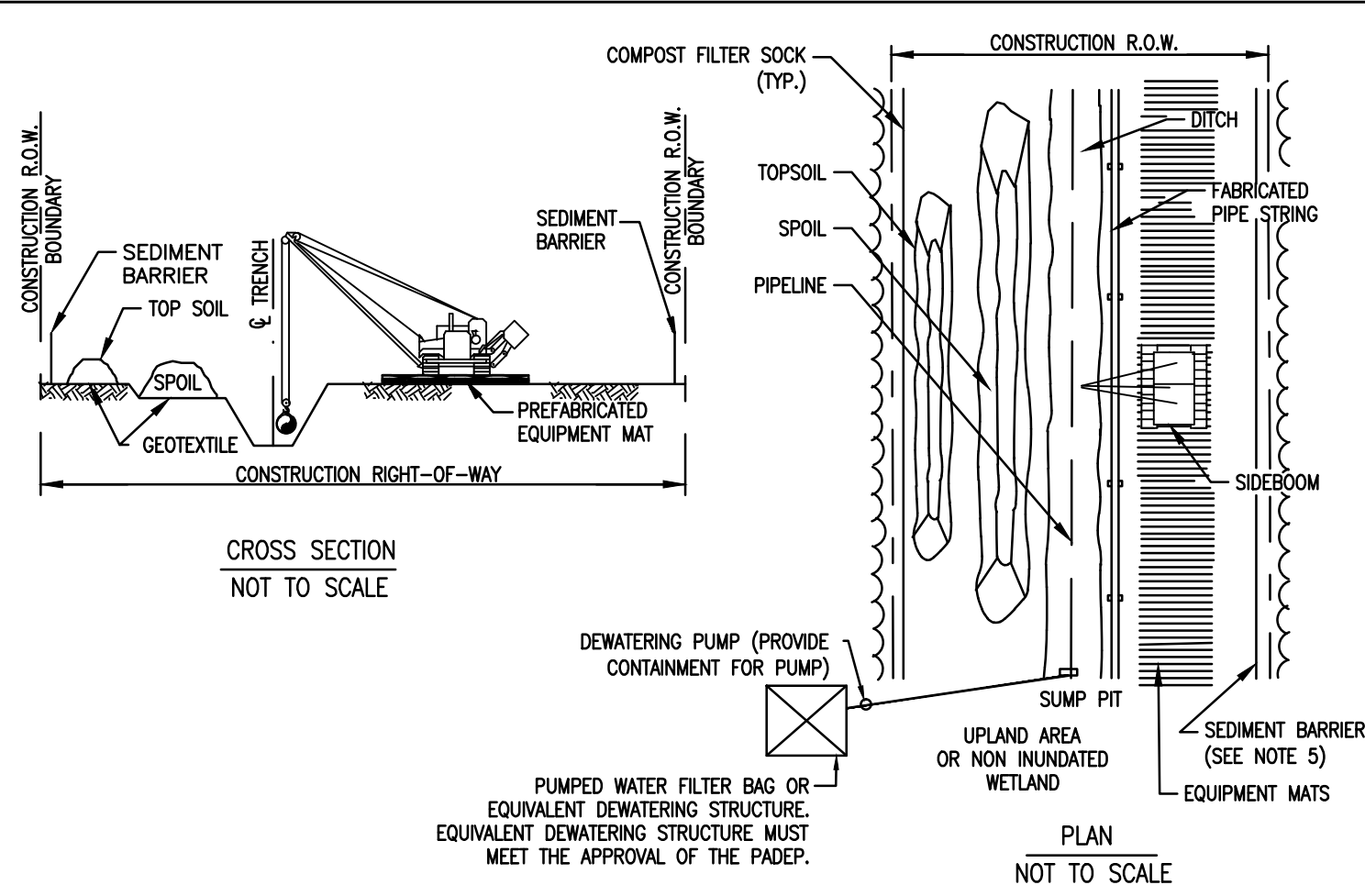
NOTES:  
1. SEDIMENT BARRIER SHALL BE INSTALLED AT THE BASE OF SLOPES ADJACENT TO ROAD CROSSINGS WHERE VEGETATION IS DISTURBED, TO INTERCEPT SURFACE RUNOFF.  
2. PROTECTION FOR SOIL FILES SHALL BE INSTALLED ONLY WHERE SEDIMENT BARRIERS ACROSS THE ENTIRE DISTURBED AREA ARE NOT REQUIRED.  
3. SEDIMENT BARRIERS SHALL REMAIN IN PLACE UNTIL PERMANENT REVEGETATION IS ESTABLISHED.  
4. WATER REMOVED FROM BORE PIT AND RECEIVING PIT SHALL BE FILTERED THROUGH A DEWATERING STRUCTURE OR FILTER BAG.  
5. IF WELL POINTING IS REQUIRED PRIOR TO EXCAVATING BORE PITS, CONTRACTOR SHALL CONSULT WITH THE ENVIRONMENTAL INSPECTOR PRIOR TO COMMENCEMENT OF WORK IN ORDER TO DETERMINE PROPER DEWATERING LOCATION.  
6. CONTRACTOR SHALL BE REQUIRED TO KEEP THE AREA CLEAN OF DEBRIS AT ALL TIMES.  
7. CONTRACTOR MAY ELECT TO UTILIZE SHEET PILING IN ORDER TO STABILIZE BORE PITS.  
8. DEPENDING ON TOPOGRAPHY AND STATE REQUIREMENTS, SEDIMENT BARRIER MAY BE REQUIRED ACROSS THE ENTIRE CONSTRUCTION RIGHT OF WAY AT THE EDGE OF ROAD. IN ADDITION TO THIS DETAIL, REFER TO THE ENVIRONMENTAL ALIGNMENT DRAWINGS FOR PLACEMENT OF SEDIMENT BARRIERS.

NO.	DATE	BY	REVISION DESCRIPTION	NO.	CHK	APP.
			TRANSCONTINENTAL GAS PIPE LINE COMPANY, LLC STANDARD ENVIRONMENTAL DETAIL			
			(WBX.1) BORED WATERBODY CROSSING			



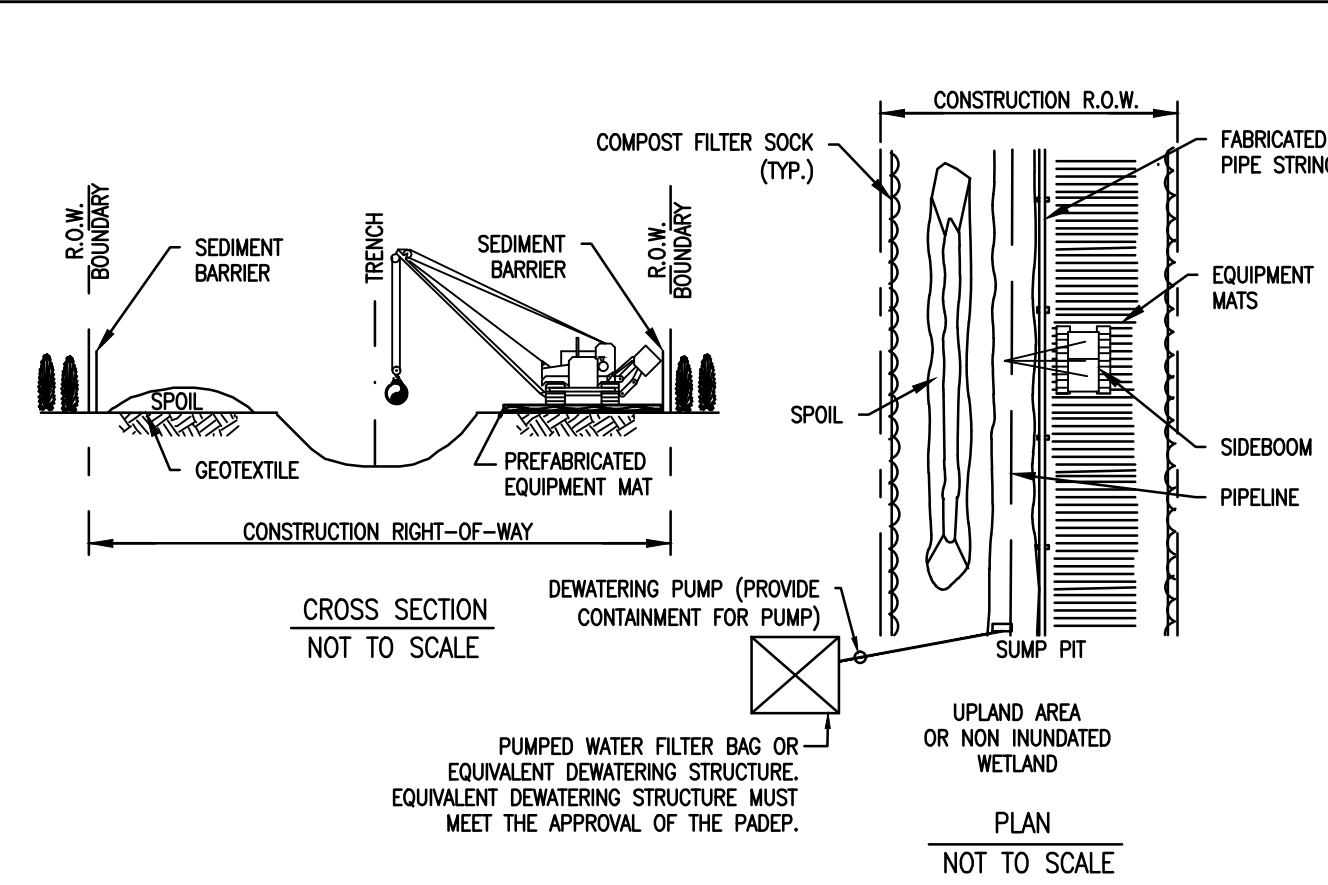
REVISIONS			
NO.	DATE	BY	DESCRIPTION
0	08/26/2015	BL	ISSUED FOR PADEP SUBMITTAL
1	12/02/2015	BL	ISSUED FOR PADEP RESUBMITTAL
2	Oct. 2016	BL	PADEP TECHNICAL DEFICIENCY RESPONSE #1

TRANSCONTINENTAL GAS PIPE LINE COMPANY, LLC			
ATLANTIC SUNRISE PROJECT			
BEST MANAGEMENT PRACTICES AND QUANTITIES PLAN SET			
BEST MANAGEMENT PRACTICES DETAILS			
DRAWN BY:	ELZ	DATE:	05/15/15
CHECKED BY:	JLK	DATE:	07/02/15
APPROVED BY:	SMK	DATE:	07/08/15
ISSUED FOR:	ISSUED FOR CONSTRUCTION	SCALE:	
DRAWING NUMBER:	ASR-BMP	REVISION:	2
SHEET	10	OF	11



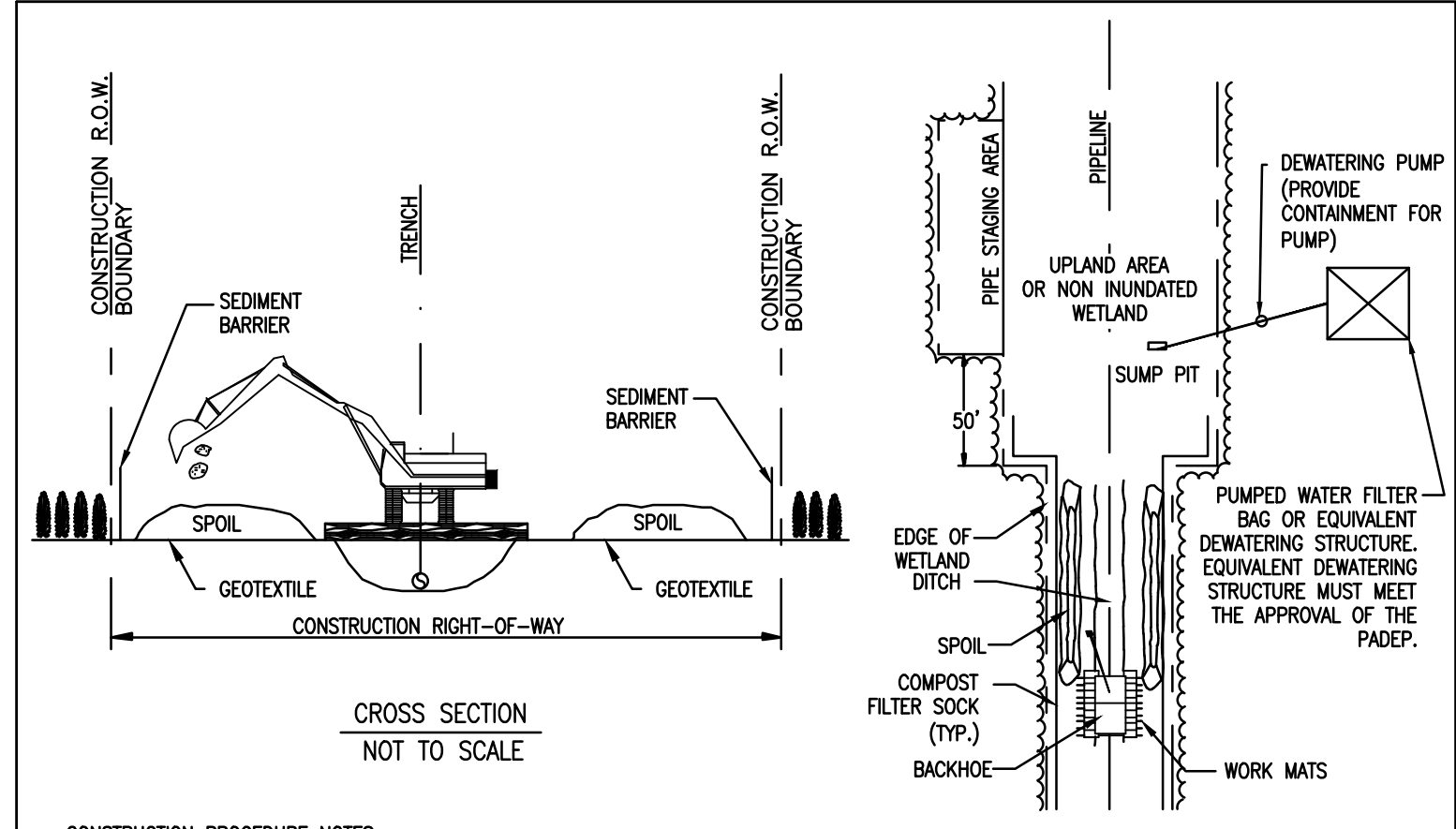
- CONSTRUCTION PROCEDURE NOTES:**
1. FLAG WETLAND BOUNDARIES AND INSTALL BOUNDARY SIGNS PRIOR TO CLEARING.
  2. NO OVERNIGHT PARKING OR REFUELING OF MOBILE EQUIPMENT IS ALLOWED WITHIN 100 FEET OF WETLAND. PLACE "NO FUELING" SIGN POSTS 100 FEET BACK FROM WETLAND BOUNDARY. INSTALL TEMPORARY SLOPE BREAKERS UPSLOPE OF WETLAND BOUNDARIES AS SHOWN ON DRAWINGS AND SPECIFICATIONS.
  3. INSTALL PREFABRICATED EQUIPMENT MATS THROUGH ENTIRE WETLAND AREA ON THE WORKING SIDE OF THE CONSTRUCTION CORRIDOR.
  4. AVOID ADJACENT WETLANDS. INSTALL SEDIMENT BARRIERS AT OUTER BOUNDARIES OF THE WETLAND. INSTALL SEDIMENT BARRIERS ALONG THE EDGE OF THE SPOIL SIDE OF THE CONSTRUCTION CORRIDOR THROUGH THE WETLAND AND ALONG THE DOWN SLOPE EDGE OF THE WETLAND. IF THE DOWN SLOPE EDGE OF THE WETLAND IS THE SPOIL SIDE, THEN SEDIMENT BARRIERS ARE NOT REQUIRED ON THE WORKING SIDE OF THE CORRIDOR UNLESS EQUIPMENT TRAVELING THROUGH THE WETLAND CAUSES SPOIL AND SEDIMENT TO EXIT THE CONSTRUCTION CORRIDOR.
  5. LIMIT PULLING OF TREE STUMPS AND GRADING ACTIVITIES TO DIRECTLY OVER THE TRENCH LINE. DO NOT GRADE OR REMOVE STUMPS OR ROOT SYSTEMS FROM THE REST OF THE RIGHT-OF-WAY IN WETLANDS UNLESS THE CHIEF INSPECTOR AND ENVIRONMENTAL INSPECTOR DETERMINE THAT SAFETY RELATED CONSTRUCTION CONSTRAINTS REQUIRE REMOVAL OF TREE STUMPS FROM UNDER THE WORKING SIDE OF THE RIGHT-OF-WAY.
  6. CONDUCT TRENCH LINE TOPSOIL STRIPPING (IF TOPSOIL IS NOT SATURATED). SALVAGE TOPSOIL TO ACTUAL DEPTH OR A MAXIMUM DEPTH OF 12 INCHES, AS DETERMINED BY THE ENVIRONMENTAL INSPECTOR. SEGREGATED TOPSOIL PILE MAY BE LOCATED ON SPOIL SIDE, AS REQUIRED.
  7. LEAVE HARD PLUGS AT THE EDGES OF WETLAND UNTIL JUST PRIOR TO TRENCHING.
  8. TRENCHING THROUGH WETLANDS MAY PROCEED WHEN THE PIPE SECTION IS FABRICATED AND READY TO LAY. ONCE TRENCHING COMMENCES, CONSTRUCTION THROUGH THE WETLAND IS TO PROCEED CONTINUOUSLY UNTIL THE CROSSING IS COMPLETED, BACK FILLED AND RESTORED IN ORDER TO MINIMIZE THE LENGTH OF TIME THE TRENCH IS OPEN.
  9. PIPE SECTION MAY BE FABRICATED WITHIN THE WETLAND ADJACENT TO PIPE TRENCH, OR IN STAGING AREA OUTSIDE THE WETLAND AND WALKED IN. NO CONCRETE COATING ACTIVITY WITHIN 100 FEET OF WETLAND BOUNDARY UNLESS APPROVED BY ENVIRONMENTAL INSPECTOR.
  10. LOWER-IN PIPE. PRIOR TO BACK FILLING TRENCH, INSTALL TRENCH PLUGS IN ACCORDANCE WITH DRAWINGS AND SPECIFICATIONS.
  11. RESTORE GRADE TO NEAR PRE-CONSTRUCTION TOPOGRAPHY, REPLACE TOPSOIL AND INSTALL PERMANENT EROSION CONTROL.
  12. REMOVE PREFABRICATED MATS FROM WETLANDS UPON COMPLETION.
  13. SEED DISTURBED WETLAND AREAS.

NO.	DATE	BY	REVISION DESCRIPTION	W.D.	NO.	CHK.	APP.
			TRANSCONTINENTAL GAS PIPE LINE COMPANY, LLC STANDARD ENVIRONMENTAL DETAIL				
			WCC-1 "UNSATURATED WETLAND" INSTALLATION PROCEDURE				



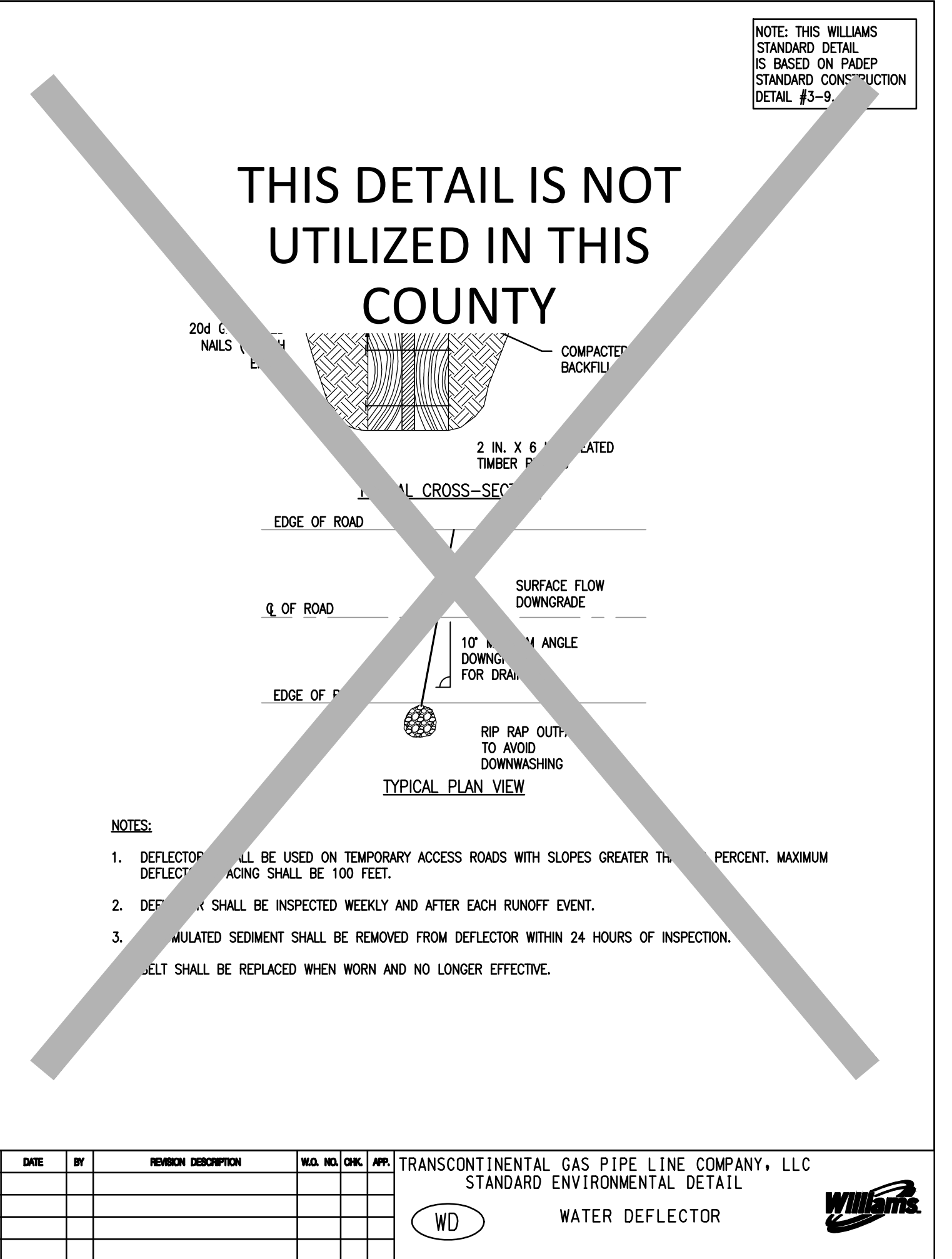
- CONSTRUCTION PROCEDURE NOTES:**
1. FLAG WETLAND BOUNDARIES AND INSTALL BOUNDARY SIGNS PRIOR TO CLEARING.
  2. NO OVERNIGHT PARKING OR REFUELING OF MOBILE EQUIPMENT IS ALLOWED WITHIN 100 FEET OF WETLAND. PLACE "NO FUELING" SIGN POSTS 100 FEET BACK FROM WETLAND BOUNDARY.
  3. INSTALL TEMPORARY SLOPE BREAKERS UP SLOPE OF WETLAND BOUNDARIES AS SHOWN ON DRAWINGS AND SPECIFICATIONS.
  4. INSTALL PREFABRICATED EQUIPMENT MATS THROUGH ENTIRE WETLAND AREA ON THE WORKING SIDE OF THE CONSTRUCTION CORRIDOR.
  5. AVOID ADJACENT WETLANDS. INSTALL SEDIMENT BARRIERS AT OUTER BOUNDARIES OF WETLAND AND ALONG BOTH WETLAND EDGES.
  6. LIMIT PULLING OF TREE STUMPS AND GRADING ACTIVITIES TO DIRECTLY OVER THE TRENCH LINE. DO NOT GRADE OR REMOVE STUMPS OR ROOT SYSTEMS FROM THE REST OF THE RIGHT-OF-WAY IN WETLANDS UNLESS THE CHIEF INSPECTOR AND ENVIRONMENTAL INSPECTOR DETERMINE THAT SAFETY RELATED CONSTRUCTION CONSTRAINTS REQUIRE REMOVAL OF TREE STUMPS FROM UNDER THE WORKING SIDE OF THE RIGHT-OF-WAY.
  7. TOPSOIL STRIPPING SHALL NOT BE REQUIRED IN SATURATED SOIL CONDITIONS.
  8. LEAVE HARD PLUGS AT THE EDGES OF WETLAND UNTIL JUST PRIOR TO TRENCHING.
  9. TRENCHING THROUGH WETLANDS MAY PROCEED WHEN THE PIPE SECTION IS FABRICATED AND READY TO LAY. ONCE TRENCHING COMMENCES, CONSTRUCTION THROUGH THE WETLAND IS TO PROCEED CONTINUOUSLY UNTIL THE CROSSING IS COMPLETED, BACK FILLED AND RESTORED IN ORDER TO MINIMIZE THE LENGTH OF TIME THE TRENCH IS OPEN.
  10. PIPE SECTION MAY BE FABRICATED WITHIN THE WETLAND ADJACENT TO PIPE TRENCH, OR IN STAGING AREA OUTSIDE THE WETLAND AND WALKED IN. NO CONCRETE COATING ACTIVITY WITHIN 100 FEET OF WETLAND BOUNDARY UNLESS APPROVED BY ENVIRONMENTAL INSPECTOR.
  11. LOWER-IN PIPE. PRIOR TO BACKFILLING, INSTALL TRENCH PLUGS.
  12. RESTORE GRADE TO NEAR PRE-CONSTRUCTION TOPOGRAPHY AND INSTALL PERMANENT EROSION CONTROL.
  13. REMOVE PREFABRICATED MATS FROM WETLANDS UPON COMPLETION.
  14. SEED DISTURBED WETLAND AREA.

NO.	DATE	BY	REVISION DESCRIPTION	W.D.	NO.	CHK.	APP.
			TRANSCONTINENTAL GAS PIPE LINE COMPANY, LLC STANDARD ENVIRONMENTAL DETAIL				
			WCC-2 "SATURATED WETLAND" INSTALLATION PROCEDURE				

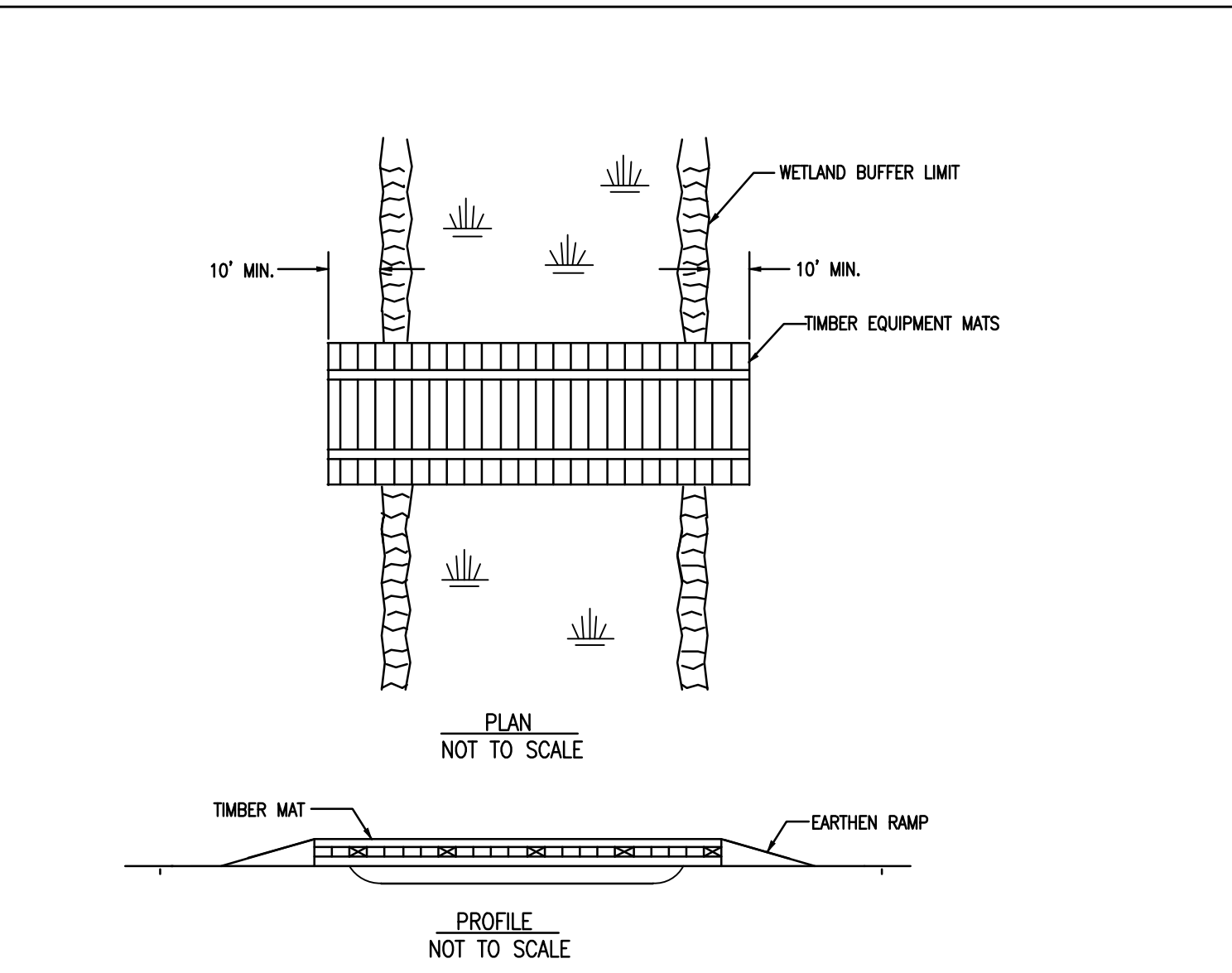


- CONSTRUCTION PROCEDURE NOTES:**
1. FLAG WETLAND BOUNDARIES AND INSTALL WETLAND BOUNDARY SIGNS PRIOR TO CLEARING.
  2. NO OVERNIGHT PARKING OR REFUELING OF MOBILE EQUIPMENT IS ALLOWED WITHIN 100 FEET OF WETLAND. PLACE "NO FUELING" SIGN POSTS 100 FEET BACK FROM WETLAND BOUNDARY.
  3. INSTALL TEMPORARY SLOPE BREAKERS UPSLOPE OF WETLAND BOUNDARIES AS SHOWN ON DRAWINGS AND SPECIFICATIONS.
  4. AVOID ADJACENT WETLANDS. INSTALL SEDIMENT BARRIERS AT OUTER BOUNDARIES OF WETLAND AND ALONG BOTH WETLAND EDGES.
  5. LIMIT PULLING OF TREE STUMPS AND GRADING ACTIVITIES TO DIRECTLY OVER TRENCH LINE. DO NOT GRADE OR REMOVE STUMPS OR ROOT SYSTEMS FROM THE REST OF THE RIGHT-OF-WAY IN WETLANDS UNLESS THE CHIEF INSPECTOR AND ENVIRONMENTAL INSPECTOR DETERMINE THAT SAFETY RELATED CONSTRUCTION CONSTRAINTS REQUIRE REMOVAL OF TREE STUMPS FROM UNDER THE WORKING SIDE OF THE RIGHT-OF-WAY.
  6. TOPSOIL STRIPPING SHALL NOT BE REQUIRED IN SATURATED SOIL CONDITIONS.
  7. UTILIZE AMPHIBIOUS EXCAVATORS (PONTOON MOUNTED BACKHOES) OR TRACKED BACKHOES SUPPORTED BY PREFABRICATED EQUIPMENT MATS OR FLOATS, TO EXCAVATE TRENCH. IF PREFABRICATED EQUIPMENT MATS ARE USED FOR STABILIZATION, THE BACKHOE SHALL GRADUALLY MOVE ACROSS THE WETLAND BY MOVING THE MATS FROM IMMEDIATELY BEHIND TO IMMEDIATELY IN FRONT OF THE BACKHOE'S PATH.
  8. FABRICATE PIPE IN A STAGING AREA OUTSIDE THE TYPE III WETLAND. NO CONCRETE COATING ACTIVITY WITHIN 100 FEET OF WETLAND BOUNDARY UNLESS APPROVED BY ENVIRONMENTAL INSPECTOR.
  9. LEAVE HARD PLUGS AT THE EDGE OF "INUNDATED WETLAND UNTIL JUST PRIOR TO PIPE PLACEMENT.
  10. FLOAT PIPE IN PLACE, LOWER-IN, INSTALL TRENCH PLUGS, AND BACKFILL.
  11. RESTORE GRADE TO NEAR PRE-CONSTRUCTION TOPOGRAPHY AND INSTALL PERMANENT EROSION CONTROL.
  12. REMOVE ANY MATS UTILIZED TO SUPPORT AMPHIBIOUS EQUIPMENT FROM WETLANDS UPON COMPLETION.
  13. WETLANDS CROSSED USING PUSH/PULL METHOD TEND TO BE TOO WET FOR EFFECTIVE SEEDING. HOWEVER, IF THE SITE IS DRY ENOUGH AND IF DIRECTED BY THE ENVIRONMENTAL INSPECTOR, THE RIGHT-OF-WAY SHALL BE SEED.

NO.	DATE	BY	REVISION DESCRIPTION	W.D.	NO.	CHK.	APP.
			TRANSCONTINENTAL GAS PIPE LINE COMPANY, LLC STANDARD ENVIRONMENTAL DETAIL				
			WCC-3 "INUNDATED WETLAND" INSTALLATION PROCEDURE				

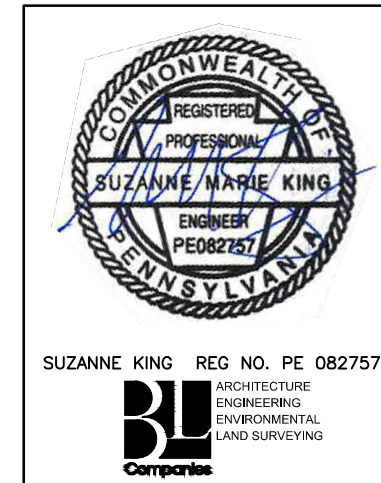


NO.	DATE	BY	REVISION DESCRIPTION	W.D.	NO.	CHK.	APP.
			TRANSCONTINENTAL GAS PIPE LINE COMPANY, LLC STANDARD ENVIRONMENTAL DETAIL				
			WD WATER DEFLECTOR				



- NOTES:**
1. PERIODICALLY CHECK INSTALLATION AND REMOVE BUILD-UP OF SEDIMENT OR DEBRIS.
  2. MATERIALS PLACED IN WETLANDS SHALL BE COMPLETELY REMOVED DURING FINAL CLEAN-UP. REMOVAL OF THIS STRUCTURE IS NOT CONTINGENT UPON ESTABLISHMENT OF PERMANENT VEGETATION.
  3. IF A WATERBODY IS LOCATED WITHIN A WETLAND SYSTEM, EXTEND TIMBER EQUIPMENT MATS TO THE BRIDGE EQUIPMENT CROSSING (BEC) USED TO CROSS THE WATERBODY IN ORDER TO ALLOW FOR CONTINUOUS TIMBER EQUIPMENT MAT COVERAGE THROUGH THE WETLAND AND WATERBODY AREA.
  4. USE ADDITIONAL TIMBER MAT LAYERS TO RAISE CROSSING ABOVE GRADE WHERE POOR SOIL CONDITIONS EXIST.
  5. TIMBER EQUIPMENT MATS SHALL EXTEND A MINIMUM OF 10 FEET OUTSIDE OF THE WETLAND BOUNDARIES.
  6. INSTALL EARTHEN RAMP APPROACHES TO TIMBER EQUIPMENT MATS. EARTHEN RAMPS TO BE CONSTRUCTED OF UPLAND MATERIAL. TOP SOIL SHALL NOT BE USED TO CONSTRUCT EARTHEN RAMPS.

NO.	DATE	BY	REVISION DESCRIPTION	W.D.	NO.	CHK.	APP.
			TRANSCONTINENTAL GAS PIPE LINE COMPANY, LLC STANDARD ENVIRONMENTAL DETAIL				
			WEC WETLAND EQUIPMENT CROSSING				



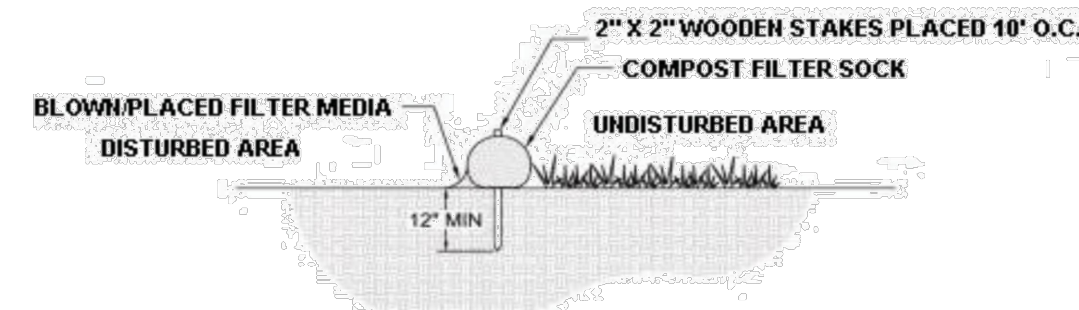
REVISIONS							
NO.	DATE	BY	DESCRIPTION	W.D.	NO.	CHK.	APP.
0	08/26/2015	BL	ISSUED FOR PADEP SUBMITTAL	W0572385	JLK	SMK	
1	12/02/2015	BL	ISSUED FOR PADEP RESUBMITTAL	W0572385	JLK	SMK	
2	Oct. 2016	BL	PADEP TECHNICAL DEFICIENCY RESPONSE #1	W0572385	JLK	SMK	

TRANSCONTINENTAL GAS PIPE LINE COMPANY, LLC ATLANTIC SUNRISE PROJECT							
BEST MANAGEMENT PRACTICES AND QUANTITIES PLAN SET							
BEST MANAGEMENT PRACTICES DETAILS							
DRAWN BY:	ELZ	DATE:	05/15/15	ISSUED FOR BID:		SCALE:	
CHECKED BY:	JLK	DATE:	07/02/15	ISSUED FOR CONSTRUCTION:		REVISION:	2
APPROVED BY:	SMK	DATE:	07/08/15	DRAWING NUMBER:	ASR-BMP	SHEET	11
W.D.:						OF	11

Drawn By & Date/Time: cmastroiano Nov 13, 2016 - 2:27pm  
Drawing Location & Name: G:\JOBS\14\14C\14C4909\DWG\BMPs&DETAILS\PL\_DNT\_14C4909(10)\_WY-BMP-11.dwg

TABLE 1: SEDIMENT BARRIER SUMMARY

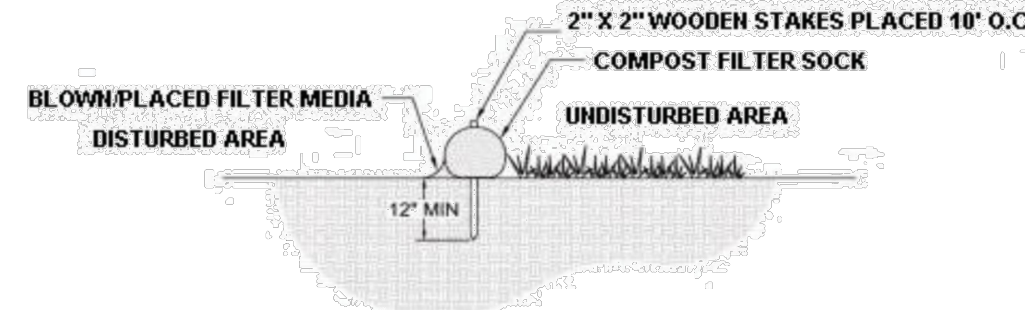
E&S WORKSHEET #1  
Compost Filter Sock  
PROJECT NAME: ATLANTIC SUNRISE PROPOSED GAS PIPELINE  
LOCATION: WYOMING COUNTY  
PREPARED BY: ESS DATE: 09-13-2016  
CHECKED BY: AJB DATE: 09-15-2016



MILEPOST NO.	Dia. In.	LOCATION			SLOPE PERCENT	SLOPE LENGTH ABOVE BARRIER FT	
		BEGIN STA.	END STA.	TYPE			
27 (M-0088)	32	120+75	to 123+00		8	446	
	18	123+00	to 127+75		18	128	
	12	128+00	to 130+00		7	100	
	12	130+25	to 134+75		8	139	
28	32	136+50	to 139+00	Wetland	4	659	
	12	139+00	to 144+25		13	104	
	12	144+50	to 151+50		13	140	
	12	151+75	to 157+25		10	95	
	12	157+50	to 165+50		11	116	
	12	165+75	to 172+00	Wetland/Stream	4	204	
	18	172+25	to 173+25		25	94	
	24	173+75	to 179+75	Road	7	360	
	24	174+00	to 179+50		9	155	
	18	181+50	to 196+50		20	100	
29	12	196+75	to 200+00	Wetland	8	75	
	12	200+25	to 204+00	Wetland/Stream	6	62	
	12	203+75	to 204+25		27	16	
	18	204+25	to 212+00		25	88	
	32	212+00	to 215+00		10	329	
	18	215+25	to 219+75		20	124	
	12	220+00	to 220+00	Road	7	20	
	18	220+75	to 1584+00		12	127	
	30	12	1583+50	to 1584+50	Road	28	20
		24	1585+50	to 1597+00		6	175
12		1600+25	to 1600+25	Wetland/Stream	5	185	
24		1600+50	to 1604+00		6	139	
18		1604+25	to 1607+25		18	82	
12		1607+50	to 1609+25		6	78	
12		1609+50	to 1612+50		9	126	
M-0071		12	1613+25	to 2+00		5	208

SOURCE: Pennsylvania Erosion and Sediment Pollution Control Manual, Page 372

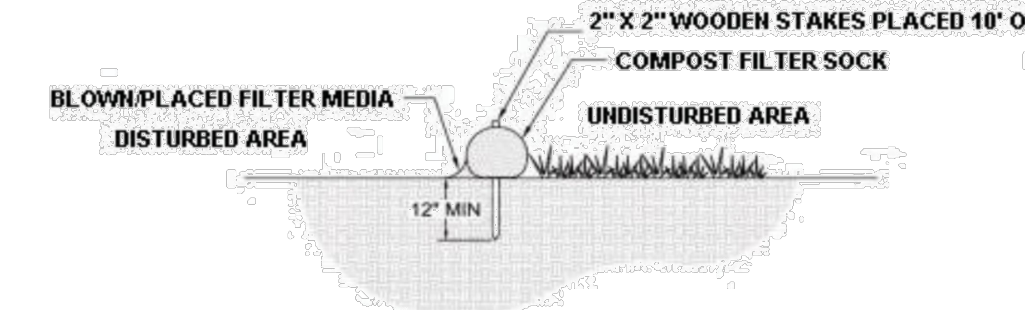
E&S WORKSHEET #1  
Compost Filter Sock  
PROJECT NAME: ATLANTIC SUNRISE PROPOSED GAS PIPELINE  
LOCATION: WYOMING COUNTY  
PREPARED BY: ESS DATE: 09-13-2016  
CHECKED BY: AJB DATE: 09-15-2016



MILEPOST NO.	Dia. In.	LOCATION			SLOPE PERCENT	SLOPE LENGTH ABOVE BARRIER FT	
		BEGIN STA.	END STA.	TYPE			
30 M-0071	12	2+75	to 7+50		4	220	
	18	7+00	to 9+50		14	130	
	24	9+50	to 18+75		15	87	
	31	18	19+00	to 24+75		15	125
31	12	25+00	to 27+25	Wetland	11	98	
	12	27+25	to 34+00		13	98	
	12	34+00	to 36+50	Wetland	7	47	
	24	36+75	to 40+00		9	132	
	12	40+50	to 45+00		1	50	
	M-0120	12	1+00	to 62+50	Road	25	30
	32	24	62+75	to 80+25		11	102
		24	81+00	to 84+75		27	68
		12	84+75	to 89+00		1	248
		12	89+25	to 90+00		6	89
24		90+25	to 99+50		22	147	
18		99+50	to 102+00	Wetland/Stream	18	68	
18		102+00	to 105+25		16	138	
18		103+50	to 104+25	Road	16	84	
18		105+25	to 117+50	Wetland/Stream	16	163	
24		118+00	to 120+00		11	72	
33	24	120+25	to 123+00	Wetland	3	158	
	24	123+25	to 131+75		11	78	
	12	132+00	to 132+25	Road	12	64	
	24	134+00	to 151+50		9	156	
	12	151+25	to 154+00		10	98	
	32	155+00	to 161+00		26	97	
	24	161+25	to 163+75		7	41	
	12	163+50	to 167+00		4	92	
	24	167+25	to 174+00		19	107	
	18	173+75	to 180+50		21	101	
34	12	180+75	to 186+50		12	92	

SOURCE: Pennsylvania Erosion and Sediment Pollution Control Manual, Page 372

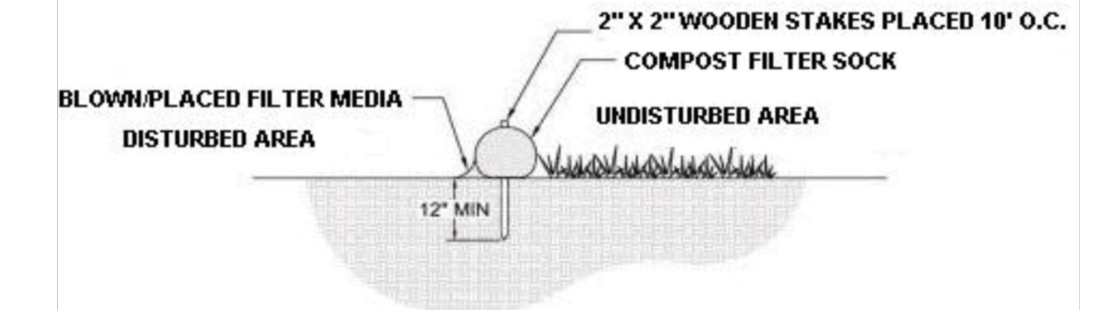
E&S WORKSHEET #1  
Compost Filter Sock  
PROJECT NAME: ATLANTIC SUNRISE PROPOSED GAS PIPELINE  
LOCATION: WYOMING COUNTY  
PREPARED BY: ESS DATE: 09-13-2016  
CHECKED BY: AJB DATE: 09-15-2016



MILEPOST NO.	Dia. In.	LOCATION			SLOPE PERCENT	SLOPE LENGTH ABOVE BARRIER FT
		BEGIN STA.	END STA.	TYPE		
34 M-0071	24	186+00	to 191+50		20	50
	12	191+50	to 193+00		6	167
	24	193+25	to 1835+50		33	80
	18	1837+75	to 1838+00		14	156
35	12	1838+75	to 1838+75	Road	7	127
	24	1839+00	to 1842+50		3	300
	12	1853+75	to 1855+50	Road	14	15
	24	1856+75	to 1859+00		12	130
	24	1859+00	to 1881+50		15	110
	24	1869+50	to 1871+00	Pull-back area	6	367
	12	1881+75	to 1885+75		3	215
	24	1887+00	to 1895+00		19	102
	24	1889+50	to 1895+00		14	108
	24	1895+00	to 1896+75	Stream/Wetland	22	146
36	12	1916+75	to 1926+00		5	90
	32	1922+00	to 1923+00	Wetland	25	150
	24	1927+00	to 1933+50		21	80
	18	1933+50	to 1939+25		17	90
	24	1939+50	to 1941+00		16	79
	18	1941+50	to 1944+00		20	121
	18	1944+00	to 1946+50	Stream/Wetland	18	90
	18	1946+25	to 1449+75		13	144
	18	1948+75	to 1950+75	Wetland	12	138
	18	1950+75	to 1954+75		12	145
37	24	1954+00	to 1957+00		12	124
	12	1957+25	to 1958+50	Stream/Wetland	11	50
	24	1958+50	to 1962+00		12	87
	18	1962+00	to 1963+75		16	157
	24	1964+00	to 1967+50		14	87

SOURCE: Pennsylvania Erosion and Sediment Pollution Control Manual, Page 372

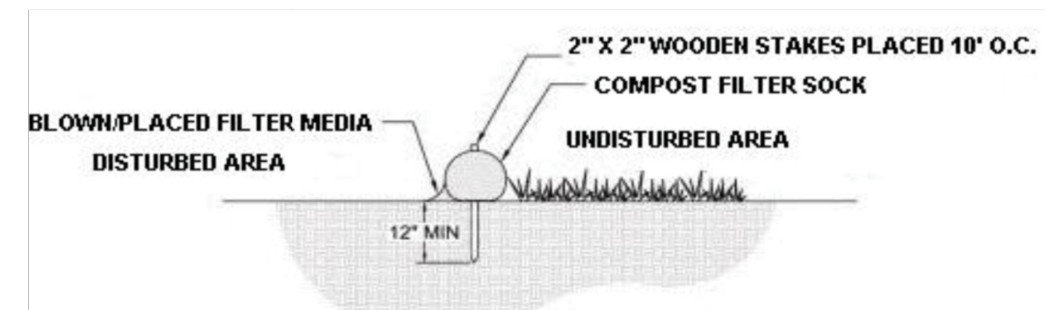
E&S WORKSHEET #1  
Compost Filter Sock  
PROJECT NAME: ATLANTIC SUNRISE PROPOSED GAS PIPELINE  
LOCATION: WYOMING COUNTY  
PREPARED BY: ESS DATE: 09-13-2016  
CHECKED BY: AJB DATE: 09-15-2016



MILEPOST NO.	Dia. In.	LOCATION			SLOPE PERCENT	SLOPE LENGTH ABOVE BARRIER FT
		BEGIN STA.	END STA.	TYPE		
37	24	1967+50	to 1970+50	Stream/Wetland	8	90
	12	1970+50	to 1985+00		6	150
	12	1985+00	to 1990+75	Stream/Wetland	3	90
	24	1991+00	to 1995+50		9	115
38	12	1994+00	to 1994+00	Pull Back Area	8	151
	12	1995+50	to 1999+00	Wetland/Road	9	90
	12	1999+00	to 2006+25		6	80
	32	1999+00	to 2007+00	Road	7	309
	24	2007+25	to 2010+00		18	88
	18	2010+00	to 2010+50	Stream	18	91
	24	2010+25	to 2014+75		24	94
	24	2015+00	to 2028+00		34	50
	12	2028+25	to 2028+25	Road	26	10
	24	2030+00	to 2030+25		29	90
39	24	2032+25	to 2034+75		3	90
	18	2034+50	to 2035+50	Stream	13	130
	24	2035+25	to 2040+50		25	150
	24	2040+50	to 2048+50		15	90
	12	2048+75	to 2048+00	Road	4	25
	24	2049+00	to 2075+75		10	137
	12	2075+75	to 2079+50	Wetland	5	55
	12	2079+00	to 2081+25		2	67
	12	2081+75	to 2082+00	Road	6	78
	12	2084+75	to 2107+50		2	243
40	12	2107+75	to 2108+00	Road	8	70
	12	2108+25	to 2110+50		4	76
	12	2110+50	to 2114+00	Wetland/Stream	8	50
	18	2114+00	to 2122+75		3	426
	12	2123+00	to 2123+25	Road	11	56
	18	2123+25	to 2132+25		3	426
	12	2132+50	to 2132+75	Road	3	430

SOURCE: Pennsylvania Erosion and Sediment Pollution Control Manual, Page 372

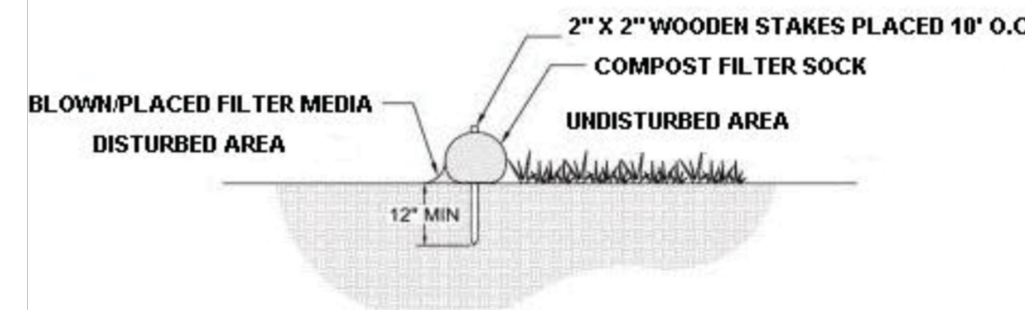
E&S WORKSHEET #1  
Compost Filter Sock  
PROJECT NAME: ATLANTIC SUNRISE PROPOSED GAS PIPELINE  
LOCATION: WYOMING COUNTY  
PREPARED BY: ESS DATE: 09-13-2016  
CHECKED BY: AJB DATE: 09-15-2016



MILEPOST NO.	Dia. In.	LOCATION			SLOPE PERCENT	SLOPE LENGTH ABOVE BARRIER FT	
		BEGIN STA.	END STA.	TYPE			
40	18	2132+50	to 2134+75		3	430	
	12	2134+75	to 2135+25	Road	3	430	
	12	2135+00	to 2136+75		3	361	
	12	2136+00	to 2137+25	Road	2	300	
	12	2137+25	to 2151+50		16	126	
	32	2151+75	to 2154+75	Wetland	8	452	
	12	2156+00	to 2156+25		7	192	
	12	2156+50	to 2157+25		4	64	
	12	2157+50	to 2159+00	Wetland	6	79	
	12	2159+00	to 2160+75		4	153	
41	12	2160+75	to 2161+25	Road	3	140	
	12	2161+50	to 2161+75		1	116	
	12	2162+00	to 2163+25	Wetland	4	80	
	18	2163+75	to 2166+50		5	251	
	12	2167+50	to 2168+50	Road	7	110	
	12	2167+75	to 2174+00		16	81	
	12	2174+50	to 2178+00		5	76	
	12	2178+25	to 2179+25		10	105	
	12	2179+25	to 2180+00		16	81	
	12	2180+00	to 2180+75		7	145	
42	12	2180+75	to 2183+50		7	70	
	12	2183+75	to 2185+75		10	97	
	12	2185+75	to 2188+50		4	108	
	18	2189+25	to 2194+25		15	163	
	12	2195+75	to 2195+75		16	90	
	12	2196+00	to 2206+50		4	226	
	M-0054	32	2206+75	to 2224+50		16	327
		18	2224+75	to 3+00	Road	3	469
		18	3+25	to 3+25		8	222
		12	3+75	to 4+25		3	111
12		4+25	to 6+25	Wetland/Stream	2	149	
18		6+25	to 7+50		11	160	

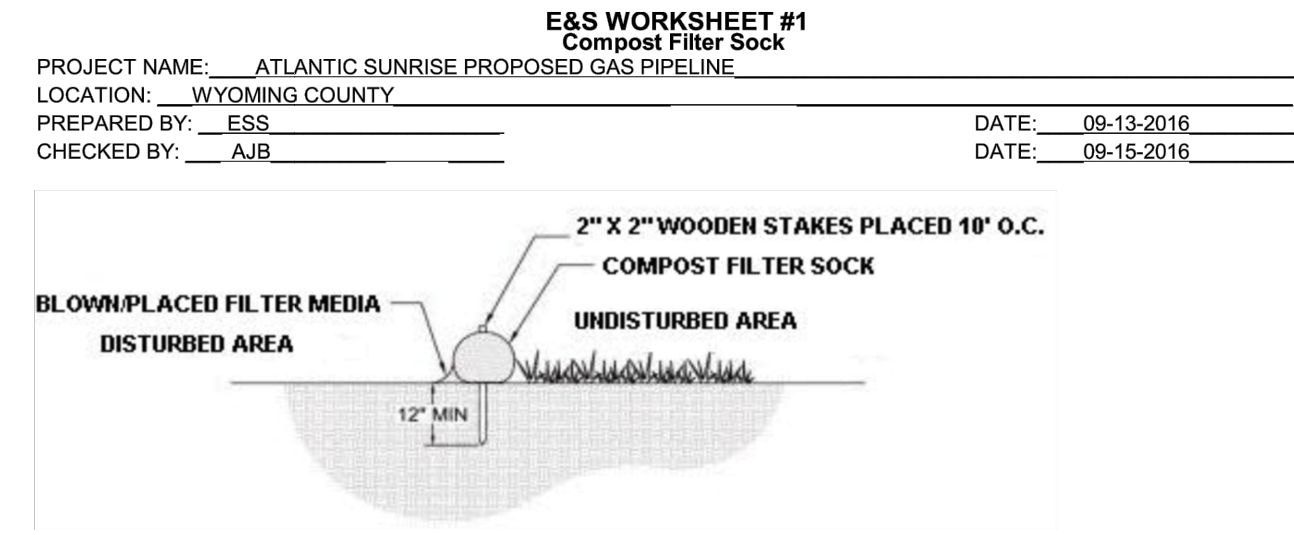
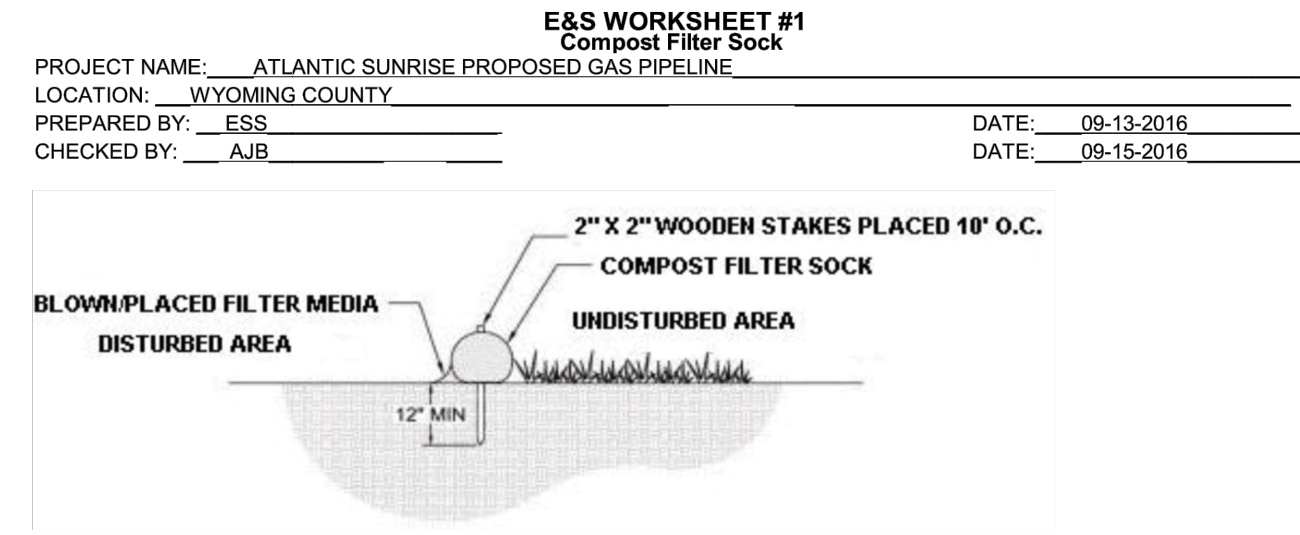
SOURCE: Pennsylvania Erosion and Sediment Pollution Control Manual, Page 372

E&S WORKSHEET #1  
Compost Filter Sock  
PROJECT NAME: ATLANTIC SUNRISE PROPOSED GAS PIPELINE  
LOCATION: WYOMING COUNTY  
PREPARED BY: ESS DATE: 09-13-2016  
CHECKED BY: AJB DATE: 09-15-2016



M
---

TABLE 1: SEDIMENT BARRIER SUMMARY (CONTINUED)

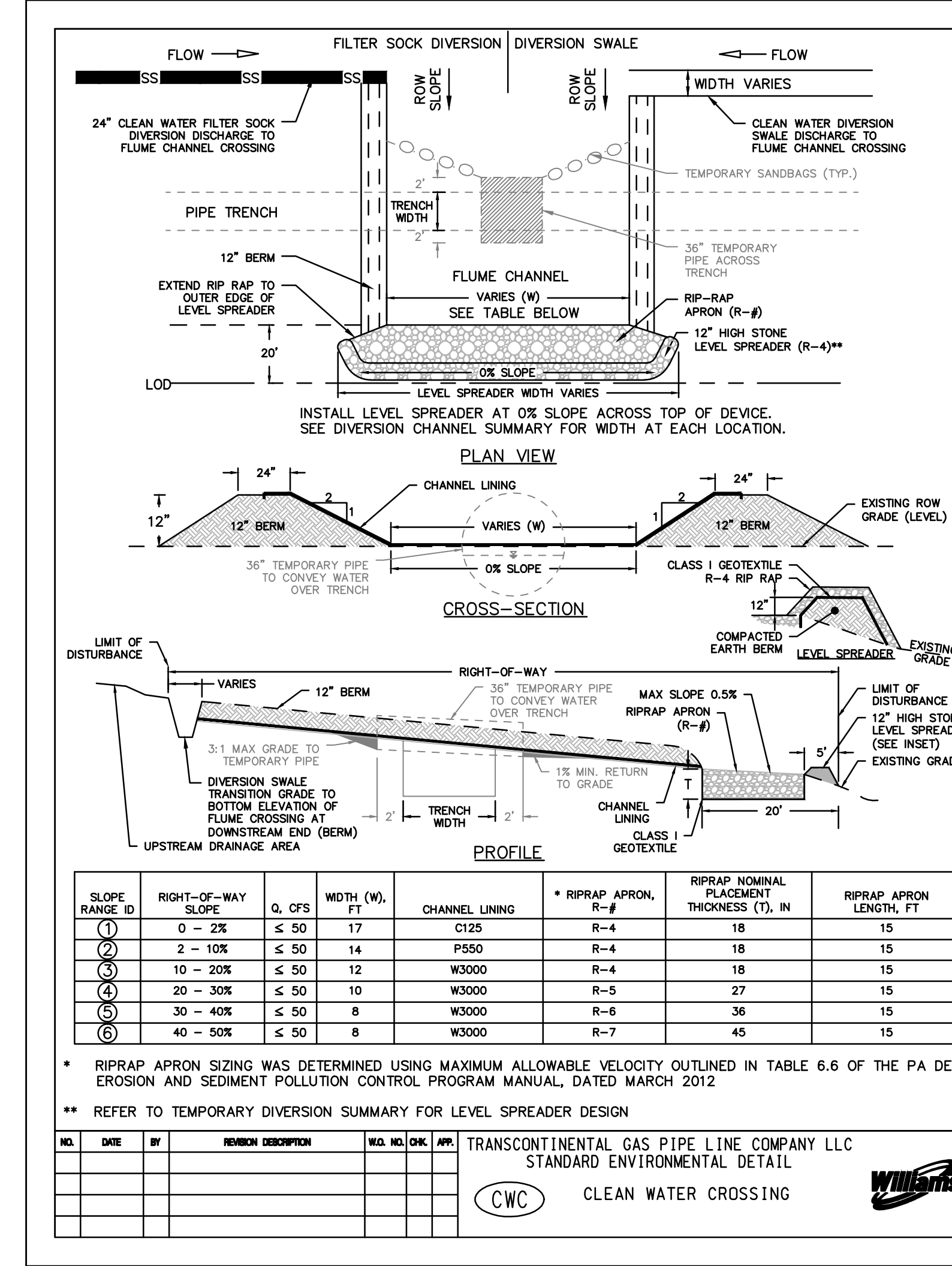


MILEPOST NO.	Dia. In.	LOCATION		TYPE	SLOPE PERCENT	SLOPE LENGTH ABOVE BARRIER FT	
		BEGIN STA.	END STA.				
49 M-0080	18	19+00	20+25	Road	11	196	
	18	19+50	22+50	Road	8	187	
	12	23+25	23+50	Road	9	18	
	24	23+50	24+00	Road	5	457	
	12	26+75	28+50	Road	28	160	
	12	28+50	29+25	Road	16	76	
	12	28+00	29+50	Road	16	158	
	12	30+00	34+50	Road	20	95	
	50	12	34+50	34+75	Wetland	30	6
		12	35+25	39+50	Road	20	47
24		34+75	39+75	Road	28	72	
24		40+50	40+50	Wetland	14	19	
24		41+50	50+00	Wetland	27	125	
18		50+00	52+00	Wetland	6	262	
18		52+00	57+50	Wetland/Stream	10	155	
18		57+50	59+00	Wetland/Stream	10	155	
18		57+75	59+50	Wetland	11	150	
18		59+75	62+50	Wetland	10	175	

MILEPOST NO.	Dia. In.	LOCATION		TYPE	SLOPE PERCENT	SLOPE LENGTH ABOVE BARRIER FT	
		BEGIN STA.	END STA.				
49 M-0080	18	19+00	20+25	Road	11	196	
	18	19+50	22+50	Road	8	187	
	12	23+25	23+50	Road	9	18	
	24	23+50	24+00	Road	5	457	
	12	26+75	28+50	Road	28	160	
	12	28+50	29+25	Road	16	76	
	12	28+00	29+50	Road	16	158	
	12	30+00	34+50	Road	20	95	
	50	12	34+50	34+75	Wetland	30	6
		12	35+25	39+50	Road	20	47
24		34+75	39+75	Road	28	72	
24		40+50	40+50	Wetland	14	19	
24		41+50	50+00	Wetland	27	125	
18		50+00	52+00	Wetland	6	262	
18		52+00	57+50	Wetland/Stream	10	155	
18		57+50	59+00	Wetland/Stream	10	155	
18		57+75	59+50	Wetland	11	150	
18		59+75	62+50	Wetland	10	175	

Route Area SOURCE: Pennsylvania Erosion and Sediment Pollution Control Manual, Page 372

Route Area SOURCE: Pennsylvania Erosion and Sediment Pollution Control Manual, Page 372



SLOPE RANGE ID	RIGHT-OF-WAY SLOPE	Q, CFS	WIDTH (W), FT	CHANNEL LINING	* RIPRAP APRON, R-#	RIPRAP NOMINAL PLACEMENT THICKNESS (T), IN	RIPRAP APRON LENGTH, FT
①	0 - 2%	≤ 50	17	C125	R-4	18	15
②	2 - 10%	≤ 50	14	P550	R-4	18	15
③	10 - 20%	≤ 50	12	W3000	R-4	18	15
④	20 - 30%	≤ 50	10	W3000	R-5	27	15
⑤	30 - 40%	≤ 50	8	W3000	R-6	36	15
⑥	40 - 50%	≤ 50	8	W3000	R-7	45	15

\* RIPRAP APRON SIZING WAS DETERMINED USING MAXIMUM ALLOWABLE VELOCITY OUTLINED IN TABLE 6.6 OF THE PA DEP EROSION AND SEDIMENT POLLUTION CONTROL PROGRAM MANUAL, DATED MARCH 2012  
\*\* REFER TO TEMPORARY DIVERSION SUMMARY FOR LEVEL SPREADER DESIGN

TABLE 2: TEMPORARY CLEAN WATER DIVERSION SUMMARY

MILE POST	DIVERSION ID	DIVERSION TYPE	DIVERSION		TEMPORARY LINING	PERMANENT LINING	DISCHARGE TYPE	WATERBODY**			FLUME (CLEAN WATER) CROSSING				LEVEL SPREADER		ALLOWABLE VELOCITY (FT/S)	ACTUAL VELOCITY (FT/S)						
			BOTTOM WIDTH (FT)	DEPTH D (FT)				TOP WIDTH W (FT)	Z1 (FT)	Z2 (FT)	FLUME LENGTH (FT)	FLUME RIP RAP SIZE**	FLUME CHANNEL WIDTH	FLUME CHANNEL LINING	FLUME CHANNEL RIP RAP SIZE**	Q (CFS)			H (FT)	Cu	LENGTH (FT)	DOWNSTREAM COVER		
28	28.04*	SWALE	2	2	10	2	C125	REINFORCED VEGETATION	FLUME	-	-	19	12	W3000	R-4	6.98	0.195	3.0	27	FOREST	2	1.99		
	28.05*	SWALE	2	2	10	2	SC150	REINFORCED VEGETATION	FLUME	-	-	7	14	P550	R-4	5.18	0.195	3.0	20	FOREST	2	1.99		
	28.06	SWALE	2	2	10	2	SC150	REINFORCED VEGETATION	FLUME	-	-	5	14	P550	R-4	4.80	0.195	3.0	19	FOREST	2	1.99		
29	29.01	SWALE	2	2	10	2	575	UNREINFORCED VEGETATION	FLUME	-	-	9	14	P550	R-4	8.48	0.195	3.0	33	FOREST	2	1.99		
	30.01	SWALE	2	2	10	2	SC150	REINFORCED VEGETATION	FLUME	-	-	6	14	P550	R-4	4.00	0.200	3.0	15	GRASS	4	2.01		
30	30.02	SWALE	2	2	10	2	575	UNREINFORCED VEGETATION	FLUME	-	-	1	14	C125	R-4	3.68	0.200	3.0	14	GRASS	4	2.01		
	30.03	SWALE	2	2	10	2	SC150	REINFORCED VEGETATION	FLUME	-	-	5	14	P550	R-4	11.52	0.195	3.0	45	FOREST	2	1.99		
	31.01	FILTER SOCK	0	2	12	0	6	SC250	REINFORCED VEGETATION	FLUME	-	-	12	12	W3000	R-4	4.00	0.230	3.0	12	GRASS	4	2.16	
31	31.02	SWALE	2	2	10	2	SC150	REINFORCED VEGETATION	FLUME	-	-	11	12	W3000	R-4	12.16	0.195	3.0	47	FOREST	2	1.99		
	31.03	FILTER SOCK	0	0	8	0	4	SC250	REINFORCED VEGETATION	WATERBODY	2	8	R-4	-	-	4.96	N/A	N/A	N/A	WATERBODY	N/A	N/A		
	32.01	SWALE	2	2	10	2	2	SC150	REINFORCED VEGETATION	FLUME	-	-	17	12	W3000	R-4	6.40	0.310	3.0	12	GRASS	4	2.51	
32	32.02	SWALE	2	2	10	2	2	SC150	REINFORCED VEGETATION	WATERBODY	2	18	R-4	-	-	21.12	N/A	N/A	N/A	WATERBODY	N/A	N/A		
	32.03	SWALE	2	2	10	2	2	SC250	REINFORCED VEGETATION	WATERBODY	2	12	R-4	-	-	15.20	N/A	N/A	N/A	WATERBODY	N/A	N/A		
	32.04	SWALE	2	2	10	2	2	SC250	REINFORCED VEGETATION	WATERBODY	2	18	R-4	-	-	21.28	N/A	N/A	N/A	WATERBODY	N/A	N/A		
	32.05	FILTER SOCK	0	2	10	0	5	SC250	REINFORCED VEGETATION	FLUME/WATERBODY	2	8	R-4	15	12	W3000	R-4	4.00	N/A	N/A	N/A	WATERBODY	N/A	N/A
	32.06	SWALE	2	2	10	2	2	SC250	REINFORCED VEGETATION	WATERBODY	2	12	R-4	-	-	10.24	N/A	N/A	N/A	WATERBODY	N/A	N/A		
	32.07	SWALE	2	2	10	2	2	SC150	REINFORCED VEGETATION	WATERBODY	2	8	R-4	-	-	4.00	N/A	N/A	N/A	WATERBODY	N/A	N/A		
	32.08	FILTER SOCK	0	2	5	0	2.5	P550	REINFORCED VEGETATION	FLUME/WATERBODY	2	8	R-4	14	12	W3000	R-4	3.68	N/A	N/A	N/A	WATERBODY	N/A	N/A
	34	34.01	FILTER SOCK	2	2	10	0	5	P550	REINFORCED VEGETATION	FLUME	-	-	14	12	W3000	R-4	0.96	0.090	3.0	12	GRASS	4	1.35
		36.01	SWALE	2	2	10	2	2	SC150	REINFORCED VEGETATION	OFFSITE	2	12	R-4	-	-	12.00	0.500	3.0	11	GRASS	4	3.18	
36.02		SWALE	2	2	10	2	2	SC150	REINFORCED VEGETATION	FLUME	-	-	5	14	P550	R-4	3.68	0.195	3.0	14	FOREST	2	1.99	
36.03		FILTER SOCK	0	2	10	0	5	SC250	REINFORCED VEGETATION	WATERBODY	2	8	R-4	-	-	4.48	N/A	N/A	N/A	WATERBODY	N/A	N/A		
36.04		SWALE	2	2	10	2	2	SC150	REINFORCED VEGETATION	FLUME	-	-	17	12	W3000	R-4	8.64	0.195	3.0	33	FOREST	2	1.99	
36.05		SWALE	2	2	10	2	2	SC250	REINFORCED VEGETATION	FLUME	-	-	19	12	W3000	R-4	14.08	0.195	3.0	55	FOREST	2	1.99	
36.06		SWALE	2	2	10	2	2	575	UNREINFORCED VEGETATION	WATERBODY	2	8	R-4	-	-	9.76	N/A	N/A	N/A	WATERBODY	N/A	N/A		
36.07		FILTER SOCK	0	2	10	0	5	575	UNREINFORCED VEGETATION	WATERBODY	2	8	R-4	-	-	4.48	N/A	N/A	N/A	WATERBODY	N/A	N/A		
36.08		SWALE	2	2	10	2	2	C125	REINFORCED VEGETATION	FLUME	-	-	9	14	P550	R-4	28.16	0.500	3.0	27	GRASS	4	3.18	
37		37.01	SWALE	2	2	10	2	2	SC250	REINFORCED VEGETATION	WATERBODY	2	22	R-5	-	-	34.24	N/A	N/A	N/A	WATERBODY	N/A	N/A	
		37.02	FILTER SOCK	0	2	10	0	5	SC150	REINFORCED VEGETATION	FLUME	-	-	17	12	W3000	R-4	0.48	0.055	3.0	12	GRASS	4	1.06
	37.03	FILTER SOCK	0	2	10	0	10	575	UNREINFORCED VEGETATION	FLUME	-	-	15	12	W3000	R-4	0.64	0.070	3.0	12	GRASS	4	1.19	
	37.04	SWALE	2	2	10	2	2	575	UNREINFORCED VEGETATION	FLUME	-	-	8	14	P550	R-4	8.48	0.380	3.0	12	GRASS	4	2.77	
38	38.01	FILTER SOCK	0	2	10	0	5	P550	REINFORCED VEGETATION	WATERBODY	2	8	R-4	-	-	2.08	N/A	N/A	N/A	WATERBODY	N/A	N/A		
	41.01	SWALE	2	2	10	2	2	SC150	REINFORCED VEGETATION	FLUME	-	-	2	17	C125	R-4	12.64	0.500	3.0	12	WATERBODY	N/A	3.18	
41	41.02	SWALE	2	2.5	12	2	2	SC150	REINFORCED VEGETATION	FLUME	-	-	11	12	W3000	R-4	24.32	0.500	3.0	23	WATERBODY	N/A	3.18	
	41.03	SWALE	2	2	10	2	2	575	UNREINFORCED VEGETATION	FLUME	-	-	5	14	P550	R-4	8.00	0.320	3.0	15	WATERBODY	N/A	2.55	
	41.04	SWALE	2	2	10	2	2	P550	REINFORCED VEGETATION	FLUME	-	-	2	17	C125	R-4	17.44	0.500	3.0	16	WATERBODY	N/A	3.18	
	45.01	SWALE	2	2.5	12	2	2	SC150	REINFORCED VEGETATION	FLUME	-	-	7	14	P550	R-4	26.72	0.500	3.0	25	GRASS	4	3.18	
46	45.02	SWALE	2	2.5	12	2	2	SC150	REINFORCED VEGETATION	FLUME	-	-	9	14	P550	R-4	23.68	0.500	3.0	22	GRASS	4	3.18	
	46.01	SWALE	2	2	10	2	2	SC150	REINFORCED VEGETATION	FLUME/WATERBODY	2	8	R-4	37	8	W3000	R-6	0.32	N/A	N/A	N/A	WATERBODY	N/A	N/A
	46.02	SWALE	2	2	10	2	2	575	UNREINFORCED VEGETATION	FLUME	-	-	22	10	W3000	R-5	4.80	0.195	3.0	19	FOREST	2	1.99	
	46.03	SWALE	2	2	10	2	2	575	UNREINFORCED VEGETATION	FLUME	-	-	26	10	W3000	R-5	5.44	0.195	3.0	21	FOREST	2	1.99	

TABLE 5: LOCATIONS OF ACID SOILS ALONG CPLN PIPELINE IN WYOMING COUNTY

MP Begin	MP End	County	Map Unit Symbol	pH	MP Begin	MP End	County	Map Unit Symbol	pH	MP Begin	MP End	County	Map Unit Symbol	pH
27.23	27.29	Wyoming	WcB	5	36.02	36.49	Wyoming	LxD	5.4	46.18	46.30	Wyoming	LxD	5.4
27.29	27.44	Wyoming	MB	5.3	36.49	36.60	Wyoming	WgD	5	M-0058 0.00	M-0058 0.16	Wyoming	LxD	5.4
27.44	27.59	Wyoming	MxB	5.3	36.60	36.63	Wyoming	MxC	5.3	M-0058 0.16	M-0058 0.24	Wyoming	MxD	4.8
27.59	27.67	Wyoming	WgD	5	36.63	36.70	Wyoming	MxB	5.3	M-0058 0.24	M-0058 0.28	Wyoming	MxC	6.6
27.67	27.71	Wyoming	WgB	5	36.70	36.80	Wyoming	WFC	5.3	M-0058 0.28	M-0058 0.47	Wyoming	MxD	4.8
27.71	27.72	Wyoming	WcC	5	36.80	36.92	Wyoming	WcC	5	46.84	46.88	Wyoming	MxD	4.8
27.72	27.87	Wyoming	OxD	5.3	36.92	36.96	Wyoming	MxC	5.3	46.88	46.94	Wyoming	WcC	5
27.87	28.20	Wyoming	WcC	5	36.96	37.03	Wyoming	WcC	5	46.94	47.05	Wyoming	MxB	5.3
28.20	28.27	Wyoming	MxB	5.3	37.03	37.10	Wyoming	MxC	5.3	47.05	47.14	Wyoming	WcD	5
28.27	28.45	Wyoming	OxB	4.8	37.10	37.22	Wyoming	WcC	5	47.14	47.16	Wyoming	NxB	5.3
28.45	28.63	Wyoming	OxD	4.8	37.22	37.62	Wyoming	MxB	5.3	47.16	47.29	Wyoming	WgD	5
28.63	28.86	Wyoming	WgD	5	37.62	37.72	Wyoming	NxB	4.8	47.29	47.33	Wyoming	WcC	5.3
28.86	28.95	Wyoming	NxB	4.8	37.72	38.01	Wyoming	OxD	4.8	47.33	47.39	Wyoming	MxB	6.6
28.95	28.97	Wyoming	WgD	5	38.01	38.18	Wyoming	OxD	4.8	47.41	47.52	Wyoming	WcC	5
28.97	29.12	Wyoming	OxD	4.8	38.18	38.24	Wyoming	OxC	4.8	47.52	47.62	Wyoming	MxB	4.8
29.12	29.16	Wyoming	OxB	4.8	38.24	38.31	Wyoming	OYE	4.8	47.62	47.66	Wyoming	MxD	4.8
29.16	29.20	Wyoming	OxD	4.8	38.31	38.49	Wyoming	OxD	4.8	47.66	47.73	Wyoming	MxC	6.6
29.20	29.22	Wyoming	OYE	4.8	38.49	38.53	Wyoming	LxD	5	47.73	47.83	Wyoming	MxB	6.6
29.22	29.45	Wyoming	WcC	5	38.53	38.60	Wyoming	WgD	5	47.83	47.89	Wyoming	VcB	6
29.45	29.52	Wyoming	MxB	5.3	38.60	38.67	Wyoming	WFB	5.3	47.89	48.07	Wyoming	MxC	6.6
29.52	29.59	Wyoming	MxC	5.3	38.67	38.72	Wyoming	LxD	5	48.07	48.22	Wyoming	MxB	6.6
29.59	29.69	Wyoming	OYE	4.8	38.72	38.73	Wyoming	WcC	5	48.22	48.27	Wyoming	NcA	5.3
29.69	29.88	Wyoming	OCC	4.8	38.73	38.80	Wyoming	WFC	5.3	48.27	48.28	Wyoming	NxB	4.8
29.88	29.91	Wyoming	OCD	4.8	38.80	38.85	Wyoming	WgB	5	48.28	48.30	Wyoming	MxB	6.6
29.91	29.96	Wyoming	MxC	6.6	38.85	38.92	Wyoming	WcC	5	48.30	48.34	Wyoming	BaC	5.8
29.96	30.19	Wyoming	MxB	6.6	38.92	39.16	Wyoming	WcB	5	48.34	48.45	Wyoming	LeB	5.4
30.19	30.26	Wyoming	MxC	6.6	39.16	39.24	Wyoming	WFC	5.3	48.45	48.48	Wyoming	LxD	5.4
30.26	30.27	Wyoming	VxB	6	39.24	39.33	Wyoming	MxB	5.3	48.48	48.53	Wyoming	LxB	5.4
30.27	30.30	Wyoming	NcA	5.3	39.33	39.38	Wyoming	LxD	5	48.53	48.57	Wyoming	OYE	4.8
30.30	30.38	Wyoming	MxB	4.8	39.38	39.42	Wyoming	MxB	5.3	48.57	48.62	Wyoming	LCE	5
30.38	30.40	Wyoming	LeC	5.4	39.42	39.46	Wyoming	MxC	5.3	48.62	48.73	Wyoming	MxD	4.8
30.40	30.45	Wyoming	LFB	5.4	39.46	39.48	Wyoming	MxB	5.3	48.73	48.76	Wyoming	VxB	6
30.45	30.47	Wyoming	VxB	6	39.48	39.53	Wyoming	WcC	5	48.76	48.84	Wyoming	MxD	4.8
30.47	30.62	Wyoming	LFB	5.4	39.53	39.67	Wyoming	MxB	5.3	48.84	48.87	Wyoming	OxB	4.8
30.62	30.70	Wyoming	BxB	4.8	39.67	39.75	Wyoming	WFC	5.3	48.87	49.02	Wyoming	OYE	4.8
30.70	30.79	Wyoming	BxD	4.8	39.75	39.82	Wyoming	WFB	5.3	49.02	49.11	Wyoming	MxD	4.8
30.79	30.85	Wyoming	MxB	4.8	39.82	39.86	Wyoming	WcB	5	49.11	49.29	Wyoming	WYB	4.8
30.85	31.16	Wyoming	BxD	4.8	39.86	39.91	Wyoming	WcC	5	49.29	49.31	Wyoming	WYc	4.8
31.16	31.22	Wyoming	LFC	5.4	39.91	39.95	Wyoming	WFC	5.3	49.31	49.22	Wyoming	WYB	4.8
31.22	31.29	Wyoming	NcA	5.3	39.95	40.04	Wyoming	NxB	4.8	M-0051 0.00	M-0051 0.05	Wyoming	WYB	4.8
31.29	31.41	Wyoming	MxB	6.6	40.04	40.06	Wyoming	WcD	5	M-0051 0.05	M-0051 0.07	Wyoming	WYc	4.8
31.41	31.57	Wyoming	LFB	5.4	40.06	40.10	Wyoming	WcC	5	49.31	49.32	Wyoming	WcC	4.8
31.57	31.58	Wyoming	LeC	5.4	40.10	40.21	Wyoming	WgD	5	49.32	49.34	Wyoming	W Water	5
31.58	31.73	Wyoming	LeB	5.4	40.21	40.27	Wyoming	WgB	5	49.34	49.39	Wyoming	Hn	6.5
31.73	31.80	Wyoming	ARC	6.2	40.27	40.42	Wyoming	MxB	5.3	49.39	49.51	Wyoming	Pt	4.6
31.80	31.86	Wyoming	LxB	5.4	40.42	40.47	Wyoming	MxB	5.3	49.51	49.53	Wyoming	At	6.2
31.86	31.92	Wyoming	OYE	4.8	40.47	40.57	Wyoming	WcB	5	49.53	49.55	Wyoming	WYc	4.8
31.92	32.03	Wyoming	ARC	4.8	40.57	40.61	Wyoming	WcC	5	49.55	49.55	Wyoming	WYc	4.8
32.03	32.15	Wyoming	OYE	4.8	40.61	40.86	Wyoming	MxB	5.3	49.55	49.59	Wyoming	WYB	4.8
32.15	32.30	Wyoming	ARC	4.8	40.86	40.87	Wyoming	NxB	4.8	49.59	49.65	Wyoming	AsD	4.8
32.30	32.48	Wyoming	OYE	4.8	40.87	40.95	Wyoming	MxD	4.8	49.65	49.78	Wyoming	ASE	4.8
32.48	32.70	Wyoming	MxC	5.3	40.95	40.97	Wyoming	MxB	4.8	49.78	49.83	Wyoming	LxD	5
32.70	32.75	Wyoming	NcB	5.3	40.97	40.99	Wyoming	NxB	4.8	49.83	50.14	Wyoming	MxB	6.6
32.75	32.88	Wyoming	VcB	6	40.99	41.04	Wyoming	MxB	4.8	50.14	50.35	Wyoming	MxD	4.8
32.88	32.95	Wyoming	MxC	6.6	41.04	41.05	Wyoming	LxD	5.4	50.35	50.52	Wyoming	VcC	6
32.95	32.99	Wyoming	VFC	6	41.05	41.17	Wyoming	LxB	5.4	50.52	50.54	Wyoming	MxB	5.3
32.99	33.05	Wyoming	VcC	6	41.17	41.49	Wyoming	LxD	5.4	50.54	50.55	Wyoming	MxB	6.6
33.05	33.09	Wyoming	MxC	6.6	41.49	41.56	Wyoming	LxB	5.4					
33.09	33.17	Wyoming	WcB	5	41.56	41.59	Wyoming	LeB	5.4					
33.17	33.30	Wyoming	LaB	5	41.59	41.66	Wyoming	LxB	5.4					
33.30	33.45	Wyoming	OcB	4.8	41.66	41.76	Wyoming	AsD	4.8					
33.45	33.54	Wyoming	OcD	4.8	41.76	41.85	Wyoming	LxD	5.4					
33.54	33.64	Wyoming	OYE	4.8	41.85	41.92	Wyoming	LxB	5.4					
33.64	33.94	Wyoming	ARC	4.8	41.92	42.00	Wyoming	LeC	5.4					
33.94	34.11	Wyoming	OYE	4.8	42.00	42.08	Wyoming	LxB	5.4					
34.11	34.20	Wyoming	ARC	4.8	42.08	42.13	Wyoming	AsD	4.8					
34.20	34.53	Wyoming	OYE	4.8	42.13	42.24	Wyoming	LxD	5.4					
34.53	34.64	Wyoming	LCE	5	M-0054 0.00	M-0054 0.06	Wyoming	LxD	5.4					
34.64	34.78	Wyoming	BxD	4.8	M-0054 0.06	M-0054 0.08	Wyoming	NxB	4.8					
34.78	34.83	Wyoming	WYc	4.8	M-0054 0.08	M-0054 0.13	Wyoming	FA	5.4					
34.83	34.92	Wyoming	Pp	4.6	M-0054 0.13	M-0054 0.17	Wyoming	MxD	4.8					
34.92	35.03	Wyoming	W	Water	M-0054 0.17	M-0054 0.24	Wyoming	MxD	6.6					
35.03	35.06	Wyoming	Pp	4.6	M-0054 0.24	M-0054 0.30	Wyoming	MxC	6.6					
35.06	35.09	Wyoming	Ph	5.3	M-0054 0.30	M-0054 0.42	Wyoming	LxD	5.4					
35.09	35.33	Wyoming	UNC	5.3	M-0054 0.42	M-0054 0.60	Wyoming	LxB	5.4					
35.33	35.39	Wyoming	UnB	5.3	M-0054 0.60	M-0054 0.63	Wyoming	LxD	5.4					
35.39	35.65	Wyoming	UNC	5.3	M-0054 0.63	M-0054 0.72	Wyoming	LFB	5.4					
35.65	35.80	Wyoming	UnB	5.3	M-0054 0.72	M-0054 0.78	Wyoming	LxD	5.4					
35.80	35.82	Wyoming	UNC	5.3	43.00	43.40	Wyoming	LxD	5.4					
35.82	35.85	Wyoming	OYE	4.8	43.40	43.45	Wyoming	MxC	6.6					
35.85	35.87	Wyoming	ASE	4.8	43.45	43.49	Wyoming	MFC	6.6					
35.87	35.93	Wyoming	VcB	6	43.49	43.72	Wyoming	LxD	5.4					
35.93	36.02	Wyoming	BxD	4.8	43.72	43.73	Wyoming	W Water						
36.02	36.49	Wyoming	LxD	5.4	43.73	43.87	Wyoming	Pp	4.6					
36.49	36.60	Wyoming	WgD	5	43.87	43.89	Wyoming	WYB	4.8					
36.60	36.63	Wyoming	MxC	5.3	43.89	44.05	Wyoming	WcD	5					
36.63	36.70	Wyoming	MxC	5.3	44.05	44.19	Wyoming	WcC	5					
36.70	36.80	Wyoming	WFC	5.3	44.19	44.32	Wyoming	WcD	5					
36.80	36.92	Wyoming	WcC	5	44.32	44.36	Wyoming	MxC	5.3					
36.92	36.96	Wyoming	MxC	5.3	44.36	44.39	Wyoming	MxB	5.3					
36.96	37.03	Wyoming	WcC	5	44.39	44.47	Wyoming	NxB	4.8					
37.03	37.10	Wyoming	MxC	5.3	44.47	44.76	Wyoming	MxC	5.3					
37.10	37.22	Wyoming	WcC	5	44.76	44.86	Wyoming	WcD	5					
37.22	37.62	Wyoming	MxB	5.3	44.86	44.89	Wyoming	WcC	5					
37.62	37.72	Wyoming	NxB	4.8	44.89	44.95	Wyoming	MxB	5.3					
37.72	38.01	Wyoming	OcC	4.8	44.95	45.01	Wyoming	MxB	5.3					

TABLE 3: WATERBODIES CROSSED BY CPLN PIPELINE IN WYOMING COUNTY

Waterbody ID	Waterbody Name	Milepost	County	Township	Stream Type	State Water Quality Use Classification - Designated Use	State Fishery Classification	Crossing Method	Crossing Window
46.18	46.30		Wyoming		Perennial	CWF, MF	Wild Trout Waters	N/A	January 1 through September 30
M-0058 0.00	Whitlock Creek(WW-T54-18002A)	M-00883.16	Wyoming	Northmoreland	Perennial	CWF, MF	Wild Trout Waters	Dam-and-Pump	January 1 through September 30
M-0058 0.16	Whitlock Creek(WW-T54-18002)	M-00883.17	Wyoming	Northmoreland	Perennial	CWF, MF	Wild Trout Waters	Dam	