

Dickson, Laura

From: Dickson, Laura
Sent: Monday, November 21, 2022 9:51 AM
To: Juarez, Allie M.
Cc: Gorog, Mark
Subject: RE: [External] Methanol Tank Information

Hi Allie,

Thanks for providing the spec sheet and information related to the methanol storage tank. During review of the memo, it was mentioned that BAT for a tank that contains VOCs or HAPs should meet the following (below). Will the tank meet this?

Storage tanks with vapor pressure greater than 1.5 psia (10.5 kilopascals) under actual storage conditions - pressure relief valves which are maintained in good operating condition and which are set to release at no less than .7 psig (4.8 kilopascals) of pressure or .3 psig (2.1 kilopascals) of vacuum or the highest possible pressure and vacuum in accordance with state or local fire codes or the National Fire Prevention Association guidelines or other national consensus standards acceptable to the Department.

Thank you,

Laura S. Dickson, P.E. | Environmental Engineer *She/her/hers*
Pennsylvania Department of Environmental Protection
Southwest Regional Office
400 Waterfront Drive | Pittsburgh, PA 15222
Phone: 412.442.4155
www.depweb.state.pa.us

DEP is now accepting permit and authorization applications, as well as other documents and correspondence, electronically through the OnBase Electronic Forms Upload tool. Please use the link below to view the webpage, get instructions, and submit documents:

<https://www.dep.pa.gov/DataandTools/Pages/Application-Form-Upload.aspx>

From: Juarez, Allie M. <AJuarez@marathonpetroleum.com>
Sent: Monday, November 21, 2022 9:34 AM
To: Dickson, Laura <ldickson@pa.gov>
Subject: [External] Methanol Tank Information

ATTENTION: This email message is from an external sender. Do not open links or attachments from unknown senders. To report suspicious email, use the [Report Phishing button in Outlook](#).

Hi Laura,

I received your voicemail. Please find the specifications for the proposed methanol tank attached. The tank will be equipped with vents rated at 150 psi.

Thanks,
Allie



Allie Juarez

G&P Engineer I

4600 J Barry Court, Suite 500

Canonsburg, PA 15317

Mobile: 412-815-8886

ajuarez@marathonpetroleum.com



EF-150

CLIENT: Markwest Liberty Midstream & Resources, LLC **JOB NO.** US-107418 **DATE:** 10/17/2017
SUBJECT: Harmon Creek Plant **BY:** SA
P.O. :

STORAGE TANK

Tag No.: TK-1102
Service: Methanol Storage Tank

1	Design Data		500 Gallon, double wall	
2	Oper. Press. - Positive	Vacuum	Atmospheric	In. H ₂ O - oz./in ²
3	Operating Temperature		°F Ambient	
4	Liquid Specific Gravity		0.79	
5	Contents Lethal		No	
6	Des. Press. - Positive	Vacuum	16 oz./in ²	0.5 oz./in ²
7	Design Temperature		°F 150	
8				
9				
10	Hydrostatic Test		oz./in ² 5 psig inner, 2 psig and full vacuum outer	
11	Shell	Heads Corr. Allow.	In.	0.0625" Roof / Bottom
12	Shell	Heads HIUBT Eff.	%	No
13	Code		Build per UL-142 Stamp: No	
14	Radiograph		Per Code Stress Relieve: No	
15	Type Supports: Horizontal tank with legs set on metal stand			
16	Insulation: None			
17	Fireproofing: None			
18	Sandblast:		Yes SSPC-SP6 Paint: Per tank manufacturer standard, Fed FSC-16132 (gray)	
19	Manhole: <input type="checkbox"/> Hinged <input type="checkbox"/> Davited <input type="checkbox"/> Other			
20	Platform Clips:	No	Ladder Clips:	None Insul. Rings: No Lifting Lugs:
21	Pipe Supports: None			
22	Dimensions: OD: 48" L: 5'-5" (S/S)			
23				
24	Wt. Empty		* Wt. Full *	

MATERIALS

Item	Thickness		Mat'l Class	Mat'l-Minimum Quality
27	0.25	In.	CS	SA-36
28	0.25	In.	CS	SA-36
29	10	Ga	CS	SA-36
30	10	Ga	CS	SA-36
31	None	In.	None	---
32	Nozzle Necks N/A N/A			
33	Flanges CS A-105			
34	Coupling N/A N/A			
35	M.H. Cover N/A N/A			
36	Supports CS SA-36			
37	Bolts/Studs N/A N/A			
38	Nuts N/A N/A			
39	Gaskets N/A N/A			

NOZZLE SCHEDULE

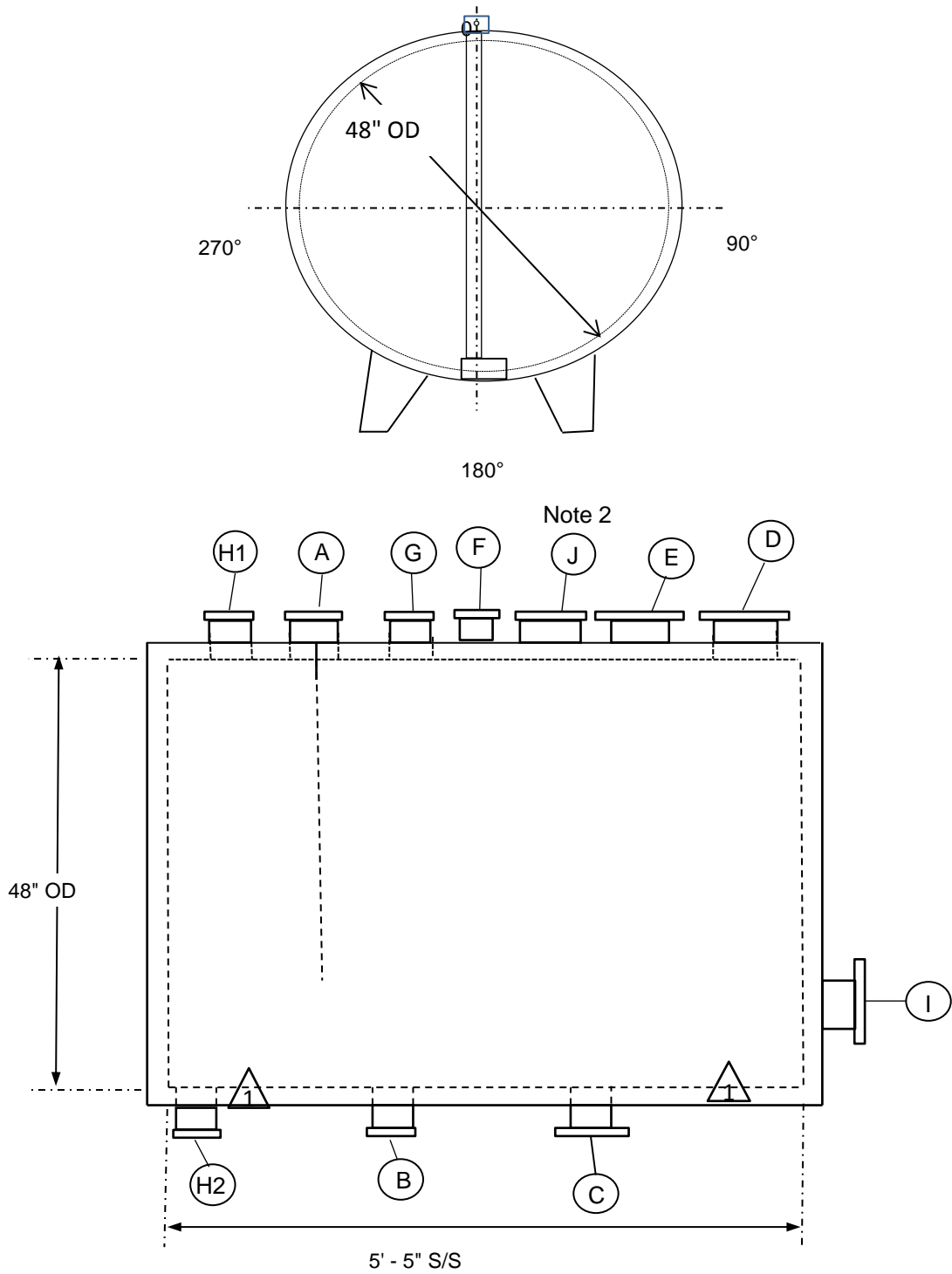
Service	Mark	No.	Size	Rating	Face	Type
42	A	1	2"	150#		FLG
43	B	1	1"	150#		FLG
44	C	1	2"	150#		FLG
45	D	1	2"	150#		FLG
46	E	1	4"	150#		FLG
47	F	1	4"	150#		FLG
48	G	1	3"	150#		FLG
49	H	2	2"	150#		FLG
50	I	1	2"	150#		FLG
51	J	1	4"	150#		FLG

NOTES: (1) Vendor to complete information denoted by asterisk (*)
(2) Vendor to provide Interstitial vent.

REVISION	0	1
ENGINEER/DATE	KER 10/17/2017	KER 12/14/2017
ISSUED FOR	Purchase	Revision

STORAGE TANK

Tag No.: TK-1102
 Service: Methanol Storage Tank



REVISION	0	1		
ENGINEER/DATE	KER 10/17/2017	KER 12/14/2017		
ISSUED FOR	Purchase	Revision		