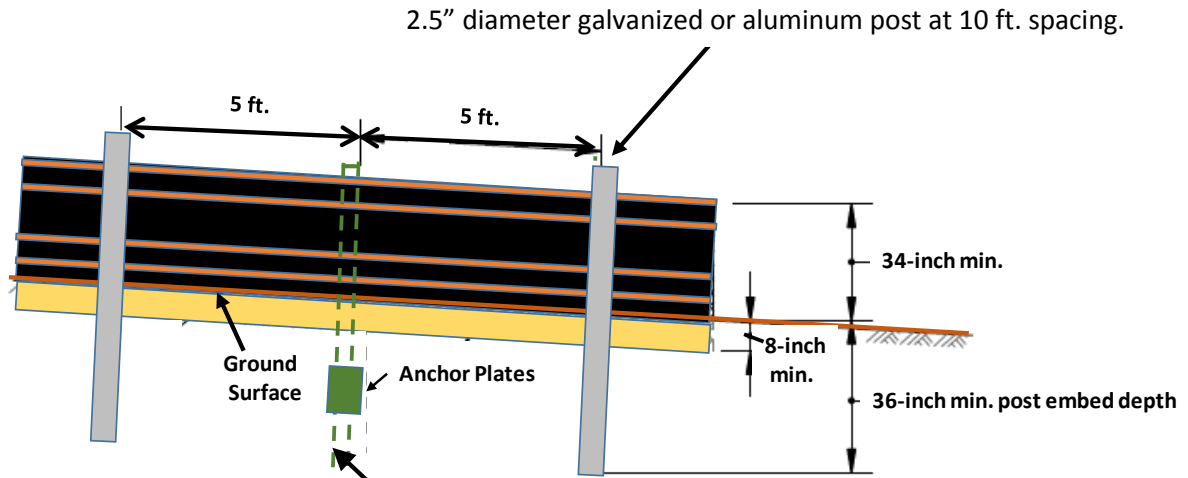


Detail – SMARTfence® 42



Minimum 1.33 lb. per ft., minimum 72-inch length metal t-posts shall be used. Metal posts shall be equipped with an anchor plate having a minimum area of 14 square inches. Place t-posts every 10 ft. (5 ft from 2.5" dia. galv. or aluminum posts)